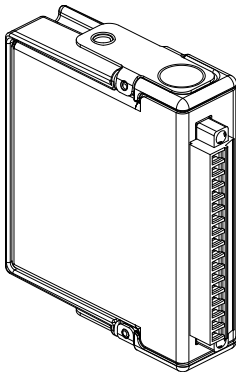


## GETTING STARTED GUIDE

# NI 9228

8 AI,  $\pm 60$  V, 24 Bit, 1 kS/s/ch Simultaneous



This document explains how to connect to the NI 9228.



**Note** Before you begin, complete the software and hardware installation procedures in your chassis documentation.



**Note** The guidelines in this document are specific to the NI 9228. The other components in the system might not meet the same safety ratings. Refer to the documentation for each component in the system to determine the safety and EMC ratings for the entire system.

## Safety Guidelines

---

Operate the NI 9228 only as described in this document.



**Caution** Do not operate the NI 9228 in a manner not specified in this document. Product misuse can result in a hazard. You can compromise the safety protection built into the product if the product is damaged in any way. If the product is damaged, return it to NI for repair.



**Hazardous Voltage** This icon denotes a warning advising you to take precautions to avoid electrical shock.

## Safety Voltages

Connect only voltages that are within the following limits:

---

### Channel-to-channel isolation

---

#### Up to 2,000 m altitude

---

Continuous	250 Vrms, Measurement Category II
------------	-----------------------------------

---

Withstand	1,500 Vrms, verified by a 5 s dielectric test
-----------	---

---

#### Up to 5,000 m altitude

---

Continuous	60 VDC, Measurement Category I
------------	--------------------------------

---

Withstand	1,000 Vrms, verified by a 5 s dielectric test
-----------	---

---

## Channel-to-earth ground isolation

Up to 2,000 m altitude	
Continuous	250 Vrms, Measurement Category II
Withstand	3,000 Vrms, verified by a 5 s dielectric test
Up to 5,000 m altitude	
Continuous	60 VDC, Measurement Category I
Withstand	1,000 Vrms , verified by a 5 s dielectric test

Measurement Category I is for measurements performed on circuits not directly connected to the electrical distribution system referred to as *MAINS* voltage. *MAINS* is a hazardous live electrical supply system that powers equipment. This category is for measurements of voltages from specially protected secondary circuits. Such voltage measurements include signal levels, special equipment, limited-energy parts of equipment, circuits powered by regulated low-voltage sources, and electronics.



**Caution** If using in Division 2 or Zone 2 hazardous locations applications, do not connect the NI 9228 to signals or use for measurements within Measurement Categories II, III, or IV.



**Note** Measurement Categories CAT I and CAT O are equivalent. These test and measurement circuits are not intended for direct connection to the MAINS building installations of Measurement Categories CAT II, CAT III, or CAT IV.

Measurement Category II is for measurements performed on circuits directly connected to the electrical distribution system. This category refers to local-level electrical distribution, such as that provided by a standard wall outlet, for example, 115 V for U.S. or 230 V for Europe.



**Caution** Do not connect the NI 9228 to signals or use for measurements within Measurement Categories III or IV.

## Safety Guidelines for Hazardous Voltages

If hazardous voltages are connected to the device, take the following precautions. A hazardous voltage is a voltage greater than 42.4 Vpk voltage or 60 VDC to earth ground.



**Caution** Ensure that hazardous voltage wiring is performed only by qualified personnel adhering to local electrical standards.



**Caution** Do not mix hazardous voltage circuits and human-accessible circuits on the same module.



**Caution** Ensure that devices and circuits connected to the module are properly insulated from human contact.



**Caution** When module terminals are hazardous voltage LIVE ( $>42.4$  Vpk/60 VDC), you must ensure that devices and circuits connected to the module are properly insulated from human contact. You must use the NI 9939 screw terminal connector backshell kit to ensure that the terminals are not accessible.

## Safety Guidelines for Hazardous Locations

The NI 9228 is suitable for use in Class I, Division 2, Groups A, B, C, D, T4 hazardous locations; Class I, Zone 2, AEx nA IIC T4 and Ex nA IIC T4 hazardous locations; and nonhazardous locations only. Follow these guidelines if you are installing the NI 9228 in a potentially explosive environment. Not following these guidelines may result in serious injury or death.



**Caution** Do not disconnect I/O-side wires or connectors unless power has been switched off or the area is known to be nonhazardous.



**Caution** Do not remove modules unless power has been switched off or the area is known to be nonhazardous.

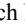


**Caution** Substitution of components may impair suitability for Class I, Division 2.



**Caution** For Division 2 and Zone 2 applications, install the system in an enclosure rated to at least IP54 as defined by IEC/EN 60079-15.

## Special Conditions for Hazardous Locations Use in Europe and Internationally

The NI 9228 has been evaluated as Ex nA IIC T4 Gc equipment under DEMKO 12 ATEX 1202658X and is IECEx UL 14.0089X certified. Each NI 9228 is marked  II 3G and is suitable for use in Zone 2 hazardous locations, in ambient temperatures of  $-40\text{ }^{\circ}\text{C} \leq T_a \leq 70\text{ }^{\circ}\text{C}$ . If you are using the NI 9228 in Gas Group IIC hazardous locations, you must use the device in an NI chassis that has been evaluated as Ex nC IIC T4, Ex IIC T4, Ex nA IIC T4, or Ex nL IIC T4 equipment.



**Caution** You must make sure that transient disturbances do not exceed 140% of the rated voltage.



**Caution** The system shall only be used in an area of not more than Pollution Degree 2, as defined in IEC/EN 60664-1.



**Caution** The system shall be mounted in an ATEX/IECEx-certified enclosure with a minimum ingress protection rating of at least IP54 as defined in IEC/EN 60079-15.





**Caution** The enclosure must have a door or cover accessible only by the use of a tool.

## Electromagnetic Compatibility Guidelines

---

This product was tested and complies with the regulatory requirements and limits for electromagnetic compatibility (EMC) stated in the product specifications. These requirements and limits provide reasonable protection against harmful interference when the product is operated in the intended operational electromagnetic environment.

This product is intended for use in industrial locations. However, harmful interference may occur in some installations, when the product is connected to a peripheral device or test object, or if the product is used in residential or commercial areas. To minimize interference with radio and television reception and prevent unacceptable performance degradation, install and use this product in strict accordance with the instructions in the product documentation.

Furthermore, any changes or modifications to the product not expressly approved by National Instruments could void your authority to operate it under your local regulatory rules.



**Caution** Electrostatic Discharge (ESD) can damage the NI 9228. To prevent damage either install the NI 9939 screw terminal connector backshell kit or employ industry-standard ESD prevention measures during installation, maintenance, and operation.



**Caution** To ensure the specified EMC performance, operate this product with twisted-pair cables.



**Caution** To ensure the specified EMC performance, the length of all I/O cables must be no longer than 30 m (100 ft).

## Special Conditions for Marine Applications

Some products are Lloyd's Register (LR) Type Approved for marine (shipboard) applications. To verify Lloyd's Register certification for a product, visit [ni.com/certification](https://ni.com/certification) and search for the LR certificate, or look for the Lloyd's Register mark on the product.



**Caution** In order to meet the EMC requirements for marine applications, install the product in a shielded enclosure with shielded and/or filtered power and input/output ports. In addition, take precautions when

designing, selecting, and installing measurement probes and cables to ensure that the desired EMC performance is attained.

## Preparing the Environment

---

Ensure that the environment in which you are using the NI 9228 meets the following specifications.

Operating temperature (IEC 60068-2-1, IEC 60068-2-2)	-40 °C to 70 °C
---	-----------------

---

Operating humidity (IEC 60068-2-78)	10% RH to 90% RH, noncondensing
--	------------------------------------

---

Pollution Degree	2
------------------	---

---

Maximum altitude	5,000 m
------------------	---------

---

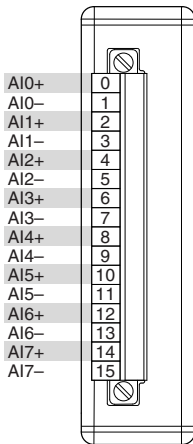
Indoor use only.



**Note** Refer to the device datasheet on [ni.com/manuals](https://ni.com/manuals) for complete specifications.

# NI 9228 Pinout

---

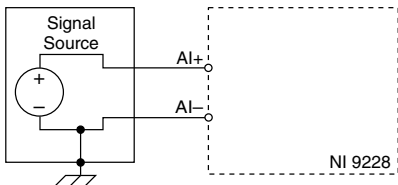


**Table 1.** Signal Descriptions

Signal	Description
AI+	Positive analog input signal connection
AI-	Negative analog input signal connection

## Grounded Connections

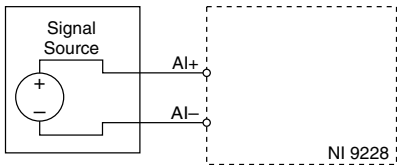
---



Make sure the voltage on the AI+ and AI- connections are in the channel-to-earth safety voltage range to ensure proper operation.

## Floating Connections

---



## NI 9228 Connection Guidelines

---

- Make sure that devices you connect to the NI 9228 are compatible with the module specifications.
- You must use 2-wire ferrules to create a secure connection when connecting more than one wire to a single terminal on the NI 9228.

## Wiring the NI 9939



**Caution** For safe operation with hazardous voltages, you must use the NI 9939 screw terminal connector

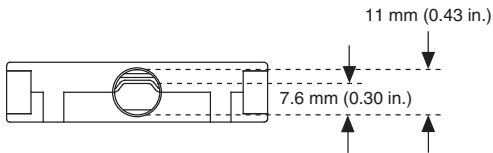
backshell kit with the 16-position screw terminal connector on the NI 9228.

When connecting all 16 terminals, the total maximum wire diameter including insulation must not exceed 2.3 mm (0.09 in.) per wire in order to fit through the 11.0 mm (0.43 in.) opening on the NI 9939.

When connecting all 16 terminals using the cable retainer, the total maximum wire diameter including insulation must not exceed 1.6 mm (0.06 in.) per wire in order to fit under the 7.6 mm (0.30 in.) clearance of the NI 9939 cable retainer.

**Figure 1.** NI 9939 Wire Clearance Dimensions

---



Complete the appropriate procedure based on the total maximum wire diameter used.

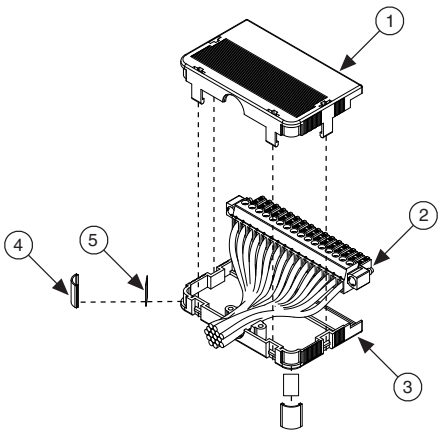
## Installing the NI 9939

### What to Use

- NI 9939 screw terminal connector backshell kit
- 0.05 mm<sup>2</sup> to 1.5 mm<sup>2</sup> (30 AWG to 14 AWG) wire with 6 mm (0.24 in.) of the insulation stripped
- Slotted screwdriver



## What to Do



1. Insert the stripped end of the wire fully into the appropriate terminal on the 16-Position Screw Terminal Connector (2) and tighten the screw. Make sure no exposed wire extends past the screw terminal.

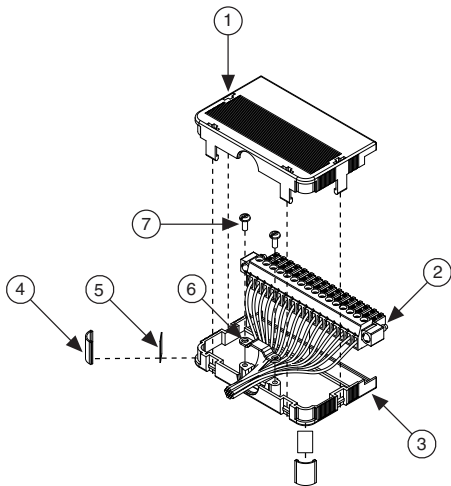
2. Route the wire through the NI 9939 opening and remove slack from the wiring.
3. Install the Backshell Top Enclosure (1) to the Backshell Bottom Enclosure (3).
4. Place the Label (5) in the Label Carrier (4) and attach onto the backshell.

## Installing the NI 9939 Using the Cable Retainer

### What to Use

- NI 9939 screw terminal connector backshell kit
- 0.05 mm<sup>2</sup> to 1.5 mm<sup>2</sup> (30 AWG to 14 AWG) wire with 6 mm (0.24 in.) of the insulation stripped
- Slotted screwdriver

## What to Do



1. Insert the stripped end of the wire fully into the appropriate terminal on the 16-Position Screw Terminal Connector (2)

and tighten the screw. Make sure no exposed wire extends past the screw terminal.

2. Route the wire through the NI 9939 opening, remove slack from the wiring, and secure wires using the Cable Retainer (6) and tighten the Screws (7).
3. Install the Backshell Top Enclosure (1) to the Backshell Bottom Enclosure (3).
4. Place the Label (5) in the Label Carrier (4) and attach onto the backshell.

## High-Vibration Application Connections

If your application is subject to high vibration, NI recommends that you follow these guidelines to protect connections to the NI 9228:

- Use ferrules to terminate wires to the detachable connector.
- Use the NI 9939 screw terminal connector backshell kit.

## Overvoltage Protection

---

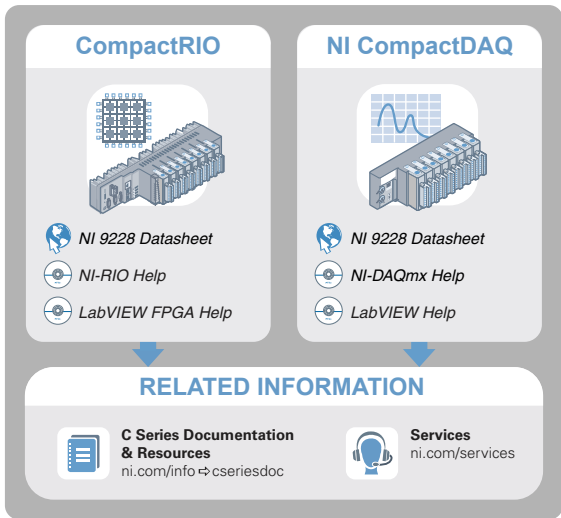
The NI 9228 provides overvoltage protection for each channel.




**Note** Refer to the device datasheet on [ni.com/manuals](https://ni.com/manuals) for more information about overvoltage protection.

# Where to Go Next

---



 Located at [ni.com/manuals](http://ni.com/manuals)

 Installs with the software

## Worldwide Support and Services

---

The NI website is your complete resource for technical support. At [ni.com/support](https://ni.com/support), you have access to everything from troubleshooting and application development self-help resources to email and phone assistance from NI Application Engineers.

Visit [ni.com/services](https://ni.com/services) for NI Factory Installation Services, repairs, extended warranty, and other services.

Visit [ni.com/register](https://ni.com/register) to register your NI product. Product registration facilitates technical support and ensures that you receive important information updates from NI.

A Declaration of Conformity (DoC) is our claim of compliance with the Council of the European Communities using the manufacturer's declaration of conformity. This system affords the user protection for electromagnetic compatibility (EMC) and product safety. You can obtain the DoC for your product by visiting [ni.com/certification](https://ni.com/certification). If your product supports calibration, you can obtain the calibration certificate for your product at [ni.com/calibration](https://ni.com/calibration).

NI corporate headquarters is located at 11500 North Mopac Expressway, Austin, Texas, 78759-3504. NI also has offices located around the world. For telephone support in the United States, create your service request at [ni.com/support](http://ni.com/support) or dial 1 866 ASK MYNI (275 6964). For telephone support outside the United States, visit the *Worldwide Offices* section of [ni.com/niglobal](http://ni.com/niglobal) to access the branch office websites, which provide up-to-date contact information, support phone numbers, email addresses, and current events.

Refer to the *NI Trademarks and Logo Guidelines* at [ni.com/trademarks](http://ni.com/trademarks) for information on NI trademarks. Other product and company names mentioned herein are trademarks or trade names of their respective companies. For patents covering NI products/technology, refer to the appropriate location: **Help»Patents** in your software, the `patents.txt` file on your media, or the *National Instruments Patent Notice* at [ni.com/patents](http://ni.com/patents). You can find information about end-user license agreements (EULAs) and third-party legal notices in the readme file for your NI product. Refer to the *Export Compliance Information* at [ni.com/legal/export-compliance](http://ni.com/legal/export-compliance) for the NI global trade compliance policy and how to obtain relevant HTS codes, ECCNs, and other import/export data. NI MAKES NO EXPRESS OR IMPLIED WARRANTIES AS TO THE ACCURACY OF THE INFORMATION CONTAINED HEREIN AND SHALL NOT BE LIABLE FOR ANY ERRORS. U.S. Government Customers: The data contained in this manual was developed at private expense and is subject to the applicable limited rights and restricted data rights as set forth in FAR 52.227-14, DFAR 252.227-7014, and DFAR 252.227-7015.

© 2016 National Instruments. All rights reserved.