

DEVICE SPECIFICATIONS

NI PXIe-2524

Multibank Configurable 1-wire Multiplexer

This document lists specifications for the NI PXIe-2524 (NI 2524) multiplexer relay module. All specifications are subject to change without notice. Visit ni.com/manuals for the most current specifications.

Topology..... 1-wire 16 Bank 8×1 , 1-wire Octal 16×1 ,
1-wire Quad 32×1 , 1-wire Dual 64×1 ,
1-wire 128×1

Contents

About These Specifications.....	1
Input Characteristics.....	2
RF Performance Characteristics.....	3
Dynamic Characteristics.....	4
Physical Characteristics.....	4
Environment.....	5
Operating Environment.....	5
Storage Environment.....	5
Shock and Vibration.....	5
Diagrams.....	6
Accessories.....	8
Compliance and Certifications.....	9
Safety.....	9
Electromagnetic Compatibility.....	9
CE Compliance.....	10
Online Product Certification.....	10
Environmental Management.....	10

About These Specifications

Specifications characterize the warranted performance of the instrument under the stated operating conditions.

Typical Specifications are specifications met by the majority of the instrument under the stated operating conditions and are tested at 23 °C ambient temperature. Typical specifications are not warranted.

All voltages are specified in DC, AC_{pk}, or a combination unless otherwise specified.



Caution The protection provided by the NI 2524 can be impaired if it is used in a manner not described in this document.

Input Characteristics

Maximum switching voltage

Channel-to-channel.....150 V

Channel-to-ground.....150 V, CAT O



Note This module is rated for Measurement Category I. It is intended to carry signal voltages no greater than 150 V. This module can withstand up to 800 V impulse voltage. Do not use this module for connection to signals or for measurements within Categories II, III, or IV. Do not connect to MAINS supply circuits (for example, wall outlets) of 115 VAC or 230 VAC. Refer to the *Read Me First: Safety and Electromagnetic Compatibility* document for more information about measurement categories.

Measurement Categories CAT I and CAT O (Other) are equivalent and are for measurements performed on circuits not directly connected to the electrical distribution system referred to as MAINS voltage. This category is for measurement of voltages from specially protected secondary circuits. Such voltage measurements include signal levels, special hardware, limited-energy parts of hardware, circuits powered by regulated low-voltage sources, and electronics.



Caution When hazardous voltages ($>42.4 V_{pk}/60 \text{ VDC}$) are present on any channel, safety low-voltage ($\leq 42.4 V_{pk}/60 \text{ VDC}$) cannot be connected to any other channel.

Maximum switching power.....60 W, 62.5 VA



Caution The switching power is limited by the maximum switching current, the maximum voltage, and must not exceed 60 W, 62.5 VA.

CH-COM DC isolation resistance..... $>1 \text{ G}\Omega$, typical at 25 °C

Maximum current

Switching.....2 A (per channel)

Carry.....2 A (per channel)

Minimum switch load.....20 mV/1 mA



Note The NI 2524 is not recommended for 2-wire resistance measurements.



Note Switching inductive loads (for example, motors and solenoids) can produce high voltage transients in excess of the module’s rated voltage. Without additional protection, these transients can interfere with module operation and impact relay life. For more information about transient suppression, visit ni.com/info and enter the Info Code `relayflyback`.

DC path resistance

- Initial.....<0.8 Ω
- End-of-life.....≥1.8 Ω

DC path resistance is a combination of relay contact resistance and trace resistance. Measure path resistance by combining the resistance of the high and low signal paths from one row to one column. Contact resistance typically remains low for the life of a relay. At the end of relay life, the contact resistance rises rapidly above ≥1.8 Ω.

Thermal EMF.....<10 μV

RF Performance Characteristics

Bandwidth (-3 dB, typical at 23 °C).....≤ 10 MHz
 50 Ω termination

Open channel isolation (typical at 23 °C) 50 Ω
 termination

- 10 kHz.....≥ 65 dB
- 100 kHz.....≥ 59 dB
- 1 MHz.....≥ 37 dB

Channel-to-channel crosstalk (typical at 23 °C)
 50 Ω termination

- 10 kHz.....≤ -68 dB
- 100 kHz.....≤ -55 dB
- 1 MHz.....≤ -36 dB

Dynamic Characteristics

Relay operate time

Typical.....	1 ms
Maximum.....	3.2 ms
Simultaneous drive limit.....	90 relays

Expected relay life

Mechanical.....	1×10^8 cycles
Electrical	
≤ 30 mV, ≤ 10 mA resistive.....	2.5×10^6 cycles
30 V, 1 A.....	5×10^5 cycles
30 V, 2 A.....	1×10^5 cycles
60 VDC, 1 ADC resistive.....	1×10^5 cycles



Note Relays are field replaceable. Refer to the NI Switches Help at ni.com/manuals for more information about replacing a failed relay.

Physical Characteristics

Relay type.....	Electromechanical, non-latching
Relay contact material.....	Palladium-ruthenium, gold covered
Front panel connector.....	160 DIN 41612, 160 positions, male

Power requirement

PXI Express

12 V.....	24 W
3.3 V.....	3.4 W

Dimensions (L × W × H).....	3U, one slot, PXI/cPCI module, PXI Express compatible 21.6 cm × 2.0 cm × 13.0 cm (8.5 in. × 0.8 in. × 5.1 in.)
Weight.....	241 g (8.5 oz)

Environment

Maximum altitude.....2,000 m (800 mbar) (at 25 °C ambient temperature)

Pollution Degree.....2

Indoor use only.

Operating Environment

Ambient temperature range.....0 °C to 55 °C (Tested in accordance with IEC 60068-2-1 and IEC 60068-2-2. Meets MIL-PRF-28800F Class 3 low temperature limit and MIL-PRF-28800F Class 2 high temperature limit.)

Relative humidity range.....10% to 90%, noncondensing (Tested in accordance with IEC 60068-2-56.)

Storage Environment

Ambient temperature range.....-40 °C to 71 °C (Tested in accordance with IEC 60068-2-1 and IEC 60068-2-2. Meets MIL-PRF-28800F Class 3 limits.)

Relative humidity range.....5% to 95%, noncondensing (Tested in accordance with IEC 60068-2-56.)

Shock and Vibration

Operating shock.....30 g peak, half-sine, 11 ms pulse (Tested in accordance with IEC 60068-2-27. Meets MIL-PRF-28800F Class 2 limits.)

Random vibration

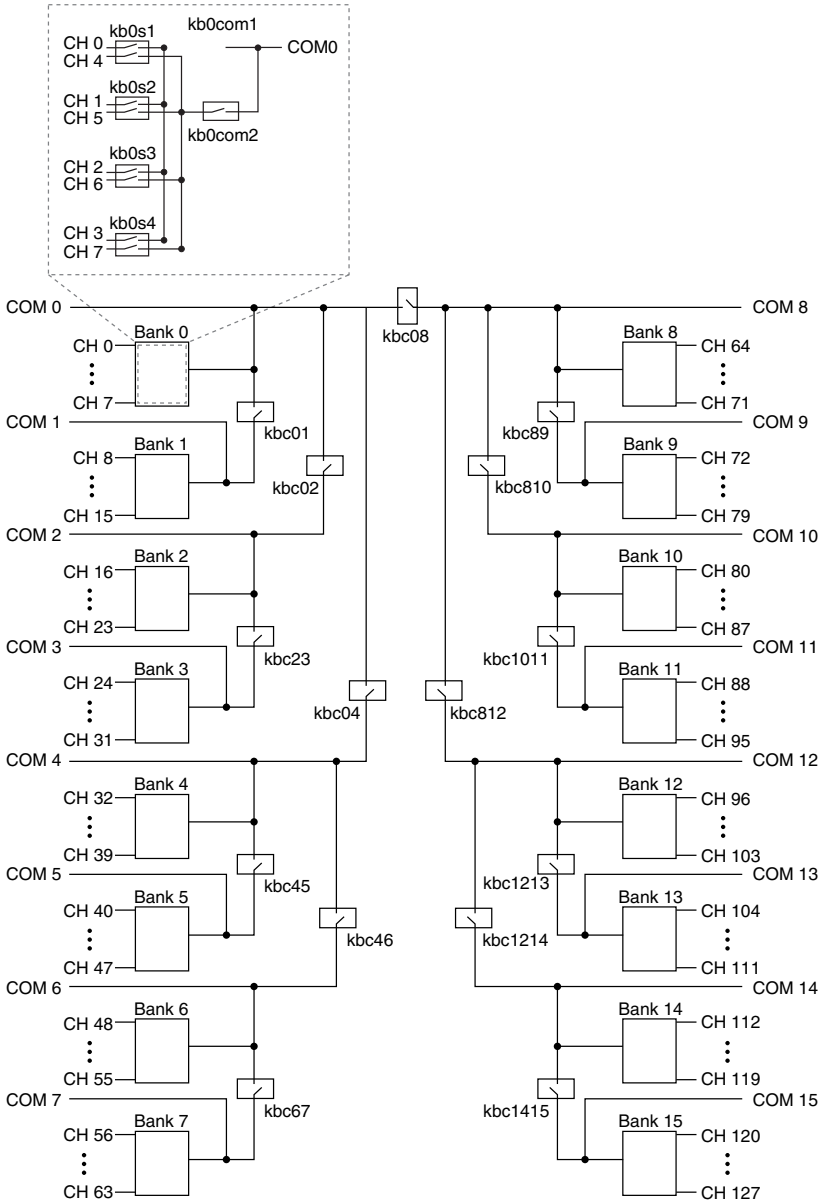
 Operating.....5 Hz to 500 Hz, 0.3 g_{rms}

 Nonoperating.....5 Hz to 500 Hz, 2.4 g_{rms} (Tested in accordance with IEC 60068-2-64. Nonoperating test profile exceeds the requirements of MIL-PRF-28800F, Class 3.)

Diagrams

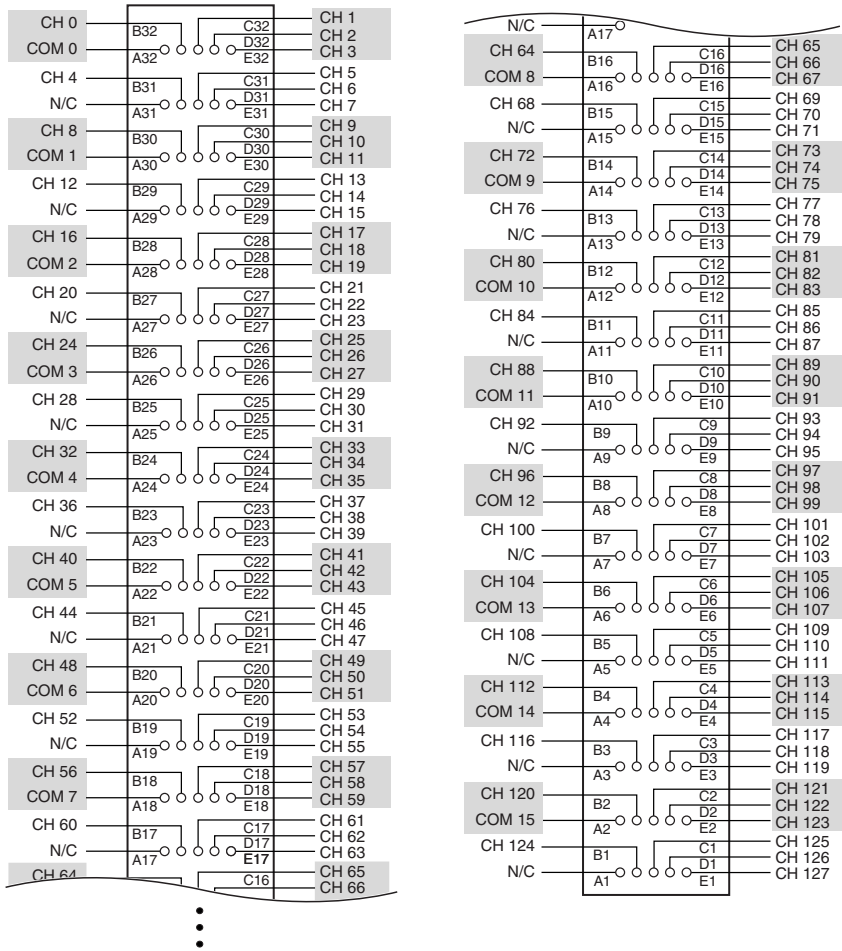
The following figure shows the NI 2524 power-on state.

Figure 1. NI 2524 Power-On State



The following figure shows the NI 2524 connector pinout.

Figure 2. NI 2524 Connector Pinout



Accessories

Table 1. NI Accessories for the NI 2524

Accessory	Part Number
DIN160 to 50-pin D-SUB switch cable, 1 m	782417-03
DIN160 to DIN160 switch cable, 1 m	782417-02

Table 1. NI Accessories for the NI 2524 (Continued)

Accessory	Part Number
DIN160 to bare wire switch cable, 1 m	782417-01
Relay replacement kit for IME02TS Relays	782461-10

Compliance and Certifications

Safety

This product is designed to meet the requirements of the following electrical equipment safety standards for measurement, control, and laboratory use:

- IEC 61010-1, EN 61010-1
- UL 61010-1, CSA 61010-1



Note For UL and other safety certifications, refer to the product label or the [Online Product Certification](#) section.

Electromagnetic Compatibility

This product meets the requirements of the following EMC standards for electrical equipment for measurement, control, and laboratory use:

- EN 61326-1 (IEC 61326-1): Class A emissions; Basic immunity
- EN 55011 (CISPR 11): Group 1, Class A emissions
- EN 55022 (CISPR 22): Class A emissions
- EN 55024 (CISPR 24): Immunity
- AS/NZS CISPR 11: Group 1, Class A emissions
- AS/NZS CISPR 22: Class A emissions
- FCC 47 CFR Part 15B: Class A emissions
- ICES-001: Class A emissions



Note In the United States (per FCC 47 CFR), Class A equipment is intended for use in commercial, light-industrial, and heavy-industrial locations. In Europe, Canada, Australia, and New Zealand (per CISPR 11), Class A equipment is intended for use only in heavy-industrial locations.



Note Group 1 equipment (per CISPR 11) is any industrial, scientific, or medical equipment that does not intentionally generate radio frequency energy for the treatment of material or inspection/analysis purposes.



Note For EMC declarations, certifications, and additional information, refer to the [Online Product Certification](#) section.

CE Compliance

This product meets the essential requirements of applicable European Directives, as follows:

- 2006/95/EC; Low-Voltage Directive (safety)
- 2014/30/EU; Electromagnetic Compatibility Directive (EMC)

Online Product Certification

Refer to the product Declaration of Conformity (DoC) for additional regulatory compliance information. To obtain product certifications and the DoC for this product, visit ni.com/certification, search by model number or product line, and click the appropriate link in the Certification column.

Environmental Management

NI is committed to designing and manufacturing products in an environmentally responsible manner. NI recognizes that eliminating certain hazardous substances from our products is beneficial to the environment and to NI customers.

For additional environmental information, refer to the *Minimize Our Environmental Impact* web page at ni.com/environment. This page contains the environmental regulations and directives with which NI complies, as well as other environmental information not included in this document.

Waste Electrical and Electronic Equipment (WEEE)



EU Customers At the end of the product life cycle, all NI products must be disposed of according to local laws and regulations. For more information about how to recycle NI products in your region, visit ni.com/environment/weee.

电子信息产品污染控制管理办法（中国 RoHS）



中国客户 National Instruments 符合中国电子信息产品中限制使用某些有害物质指令 (RoHS)。关于 National Instruments 中国 RoHS 合规性信息，请登录 ni.com/environment/rohs_china。(For information about China RoHS compliance, go to ni.com/environment/rohs_china.)

Refer to the *NI Trademarks and Logo Guidelines* at ni.com/trademarks for information on National Instruments trademarks. Other product and company names mentioned herein are trademarks or trade names of their respective companies. For patents covering National Instruments products/technology, refer to the appropriate location: **Help»Patents** in your software, the `patents.txt` file on your media, or the *National Instruments Patent Notice* at ni.com/patents. You can find information about end-user license agreements (EULAs) and third-party legal notices in the readme file for your NI product. Refer to the *Export Compliance Information* at ni.com/legal/export-compliance for the National Instruments global trade compliance policy and how to obtain relevant HTS codes, ECCNs, and other import/export data. NI MAKES NO EXPRESS OR IMPLIED WARRANTIES AS TO THE ACCURACY OF THE INFORMATION CONTAINED HEREIN AND SHALL NOT BE LIABLE FOR ANY ERRORS. U.S. Government Customers: The data contained in this manual was developed at private expense and is subject to the applicable limited rights and restricted data rights as set forth in FAR 52.227-14, DFAR 252.227-7014, and DFAR 252.227-7015.

© 2014 National Instruments. All rights reserved.