
SCXI-1370 Rack-Mount Kit for the SCXI-1001 Chassis

This guide describes how to attach the SCXI-1370 rack-mount kit to an SCXI-1001 chassis.

Introduction

You can use the SCXI-1370 rack-mount kit to mount the SCXI-1001 chassis in a standard 19 in. rack. With the multiposition rack-mount brackets, you can install the SCXI-1001 in one of six different positions to attain the desired front panel depth.

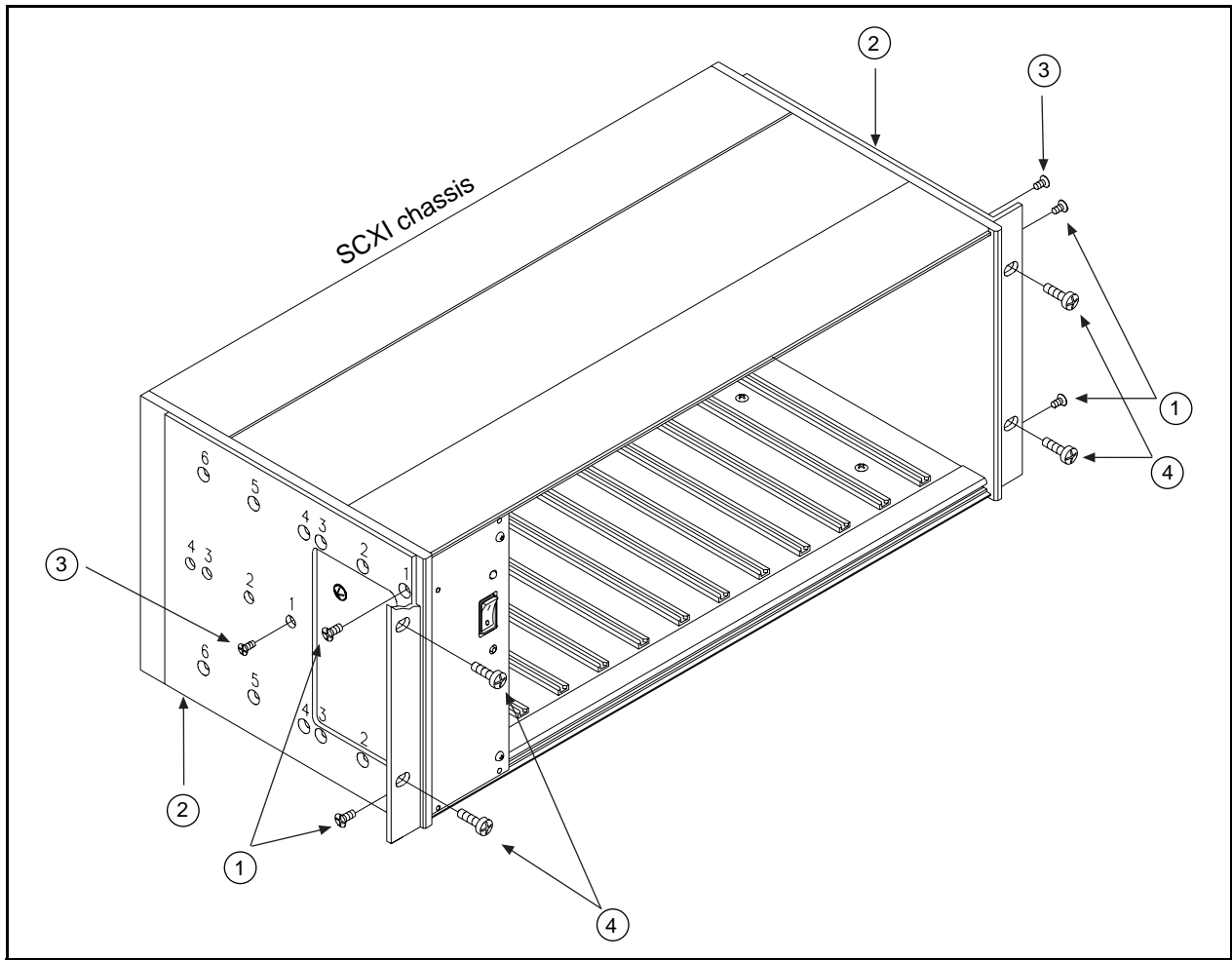
What You Need to Get Started

- ❑ SCXI-1370 rack-mount kit
 - Two rack-mount brackets
 - Four 8-32 by 5/16 in. Philips flathead screws
 - Four 10-32 by 1/2 in. Philips panhead screws
 - Two 6-32 by 1/4 in. Philips flathead screws
 - SCXI-1370 Rack-Mount Kit Installation Guide*
- ❑ #2 Philips-head screwdriver
- ❑ SCXI chassis

Installation

Refer to Figure 1 as you perform the following installation steps. The rack-mount brackets can be mounted in one of six positions to attain different depths. For detailed measurements of the SCXI-1001 chassis, refer to Appendix A, *Specifications*, of the *SCXI-1000/1000DC/1001 User Manual*. Item numbers refer to the labels in Figure 1.

1. Turn the SCXI-1001 chassis power off.
2. Use the four 8-32 screws (item 1) to attach the rack-mount brackets (item 2) to your SCXI chassis.
3. Use the two 6-32 screws (item 3) to secure the rack-mount brackets to your SCXI chassis when the brackets are in positions 1, 2, 3, or 4.
4. Use the four 10-32 screws (item 4) to attach the assembly to your rack.



- 1 8-32 by 5/16 in. Philips flathead screws
- 2 Rack-mount brackets
- 3 6-32 by 1/4 in. Philips flathead screws
- 4 10-32 by 1/2 in. Philips panhead screws

Figure 1. SCXI-1370 Rack-Mount Bracket Installation