

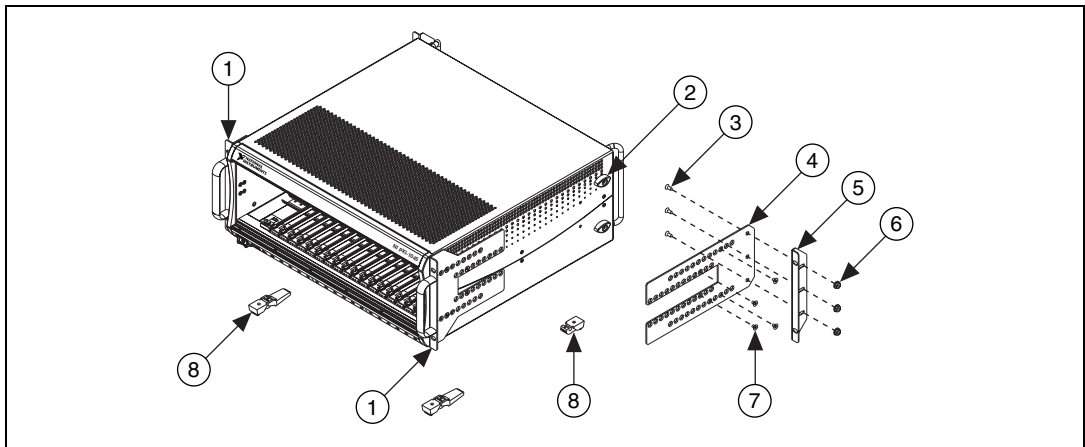
## INSTALLATION GUIDE

# NI PXI-1045 Optional Rear Rack Mount Kit



**Note** Use this kit in conjunction with the NI PXI-1045 front rack mount kit.

To mount the NI PXI-1045 in an instrument rack, complete the following steps.



1 Front Rack Mount Kit	4 Mounting Bracket	7 M4 x 8 Flathead Screw (Qty. 8)
2 Side Feet	5 Mounting Bracket Flange	8 Bottom Feet
3 8-32 Flathead Screw (Qty. 6)	6 8-32 Flange Nuts (Qty. 6)	

**Figure 1.** NI PXI-1045 in Rack Mount Configuration

1. Remove the side feet and bottom feet (as required) from the NI PXI-1045 chassis.
2. Install the mounting brackets onto each side of the chassis using the M4 × 8 flathead screws supplied. Notice that you can recess the chassis in the cabinet rack at .5 in. increments.
3. Attach the mounting bracket flanges to the mounting brackets using the 8-32 flathead screws and flange nuts supplied.
4. Install the chassis in the instrument rack using eight screws (not supplied).

National Instruments™, NI™, and ni.com™ are trademarks of National Instruments Corporation. Product and company names mentioned herein are trademarks or trade names of their respective companies. For patents covering National Instruments products, refer to the appropriate location: **Help» Patents** in your software, the `patents.txt` file on your CD, or [ni.com/patents](http://ni.com/patents).

© 2003 National Instruments Corp. All rights reserved.



323699A-01

Sep03