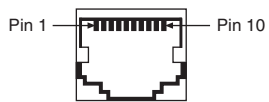


# Serial Quick Reference Guide

## 10-Position Modular Jack



Pin	232	422/485
1	No Connect	No Connect
2	RI <sup>1</sup>	TXD-
3	CTS	TXD+
4	RTS	RTS- (HSO-)
5	DSR <sup>1</sup>	CTS- (HSI-)
6	GND	RXD-
7	DTR <sup>1</sup>	RXD+
8	TXD	RTS+ (HSO+)
9	RXD	CTS+ (HSI+)
10	DCD <sup>1</sup>	GND

<sup>1</sup> These signals are "No Connect" on the PCI-2321 and PXI-8422 ports.

## DB-9 Male

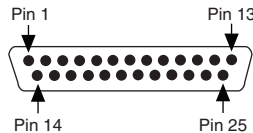


Pin	232 DTE	232 DCE	422/485
1	DCD <sup>2</sup>	DCD	GND
2	RXD	TXD	CTS+ (HSI+)
3	TXD	RXD	RTS+ (HSO+)
4	DTR <sup>2</sup>	DSR	RXD+
5	GND	GND	RXD-
6	DSR <sup>2</sup>	DTR	CTS- (HSI-)
7	RTS	CTS	RTS- (HSO-)
8	CTS	RTS	TXD+
9	RI <sup>2</sup>	RI	TXD-

**Note:** DCE mode supported on USB-232/2 and USB-232/4 only.

<sup>2</sup> These signals are "No Connect" on the PCI-2321 and PXI-8422 ports and ports 9-16 on legacy 16-port boards.

## DB-25 Male

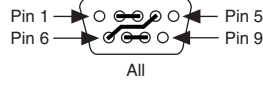
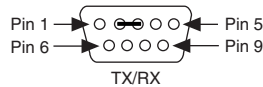


Pin	232	422/485
2	TXD	RTS+ (HSO+)
3	RXD	CTS+ (HSI+)
4	RTS	RTS- (HSO-)
5	CTS	TXD+
6	DSR <sup>3</sup>	CTS- (HSI-)
7	GND	RXD-
8	DCD <sup>3</sup>	GND
20	DTR <sup>3</sup>	RXD+
22	RI <sup>3</sup>	TXD-

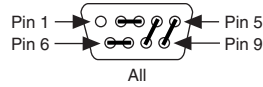
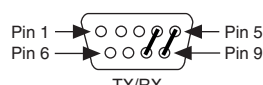
Pins not listed in this table are "No Connect."

<sup>3</sup> These signals are "No Connect" on the PCI-2321 and PXI-8422 ports.

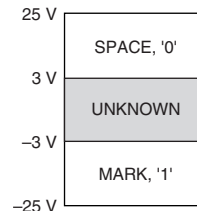
## RS-232 Loopback



## RS-485/422 Loopback



## RS-232 Signals



## RS-485/422 Signals

If '-' < '+'  
then MARK, '1'

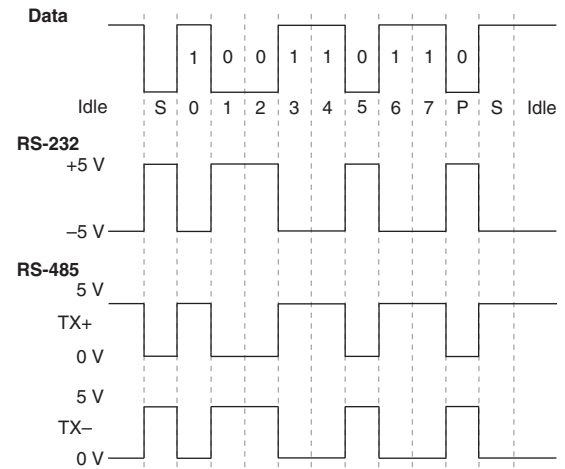
If '-' > '+'  
then SPACE, '0'

RS-422 Voltage: ±7 V

RS-485 Voltage:  
-7 V to +12 V

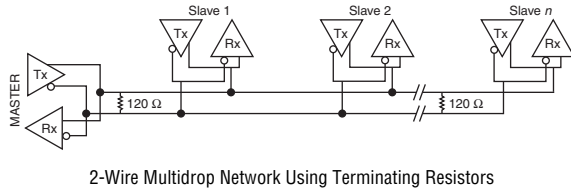
## UART Data Frame Example

0xD9—8 Data Bits, Odd Parity, 1 Stop Bit

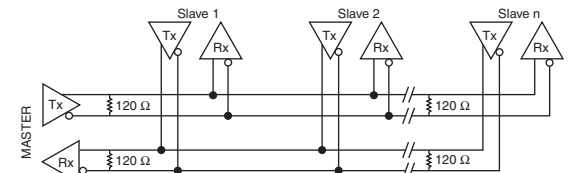


Voltagess are for illustration only. Actual voltage levels may vary.

## RS-485 Topologies



2-Wire Multidrop Network Using Terminating Resistors



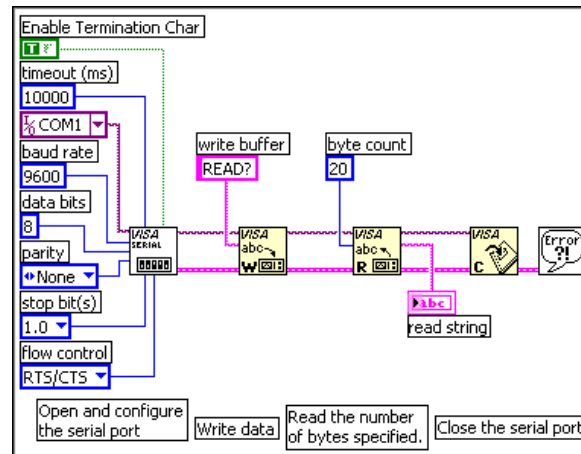
4-Wire Full-Duplex Multidrop Network Using Terminating Resistors

RS-485 terminators are available at [ni.com/serial](http://ni.com/serial).

## RS-485 Transceiver Control

Enable	4-Wire	2-Wire		
		DTR/Echo	DTR/No Echo	Auto
TX	ON	DTR	DTR	TX
RX	ON	ON	DTR	TX

## LabVIEW Programming Example



For more information about LabVIEW, refer to [ni.com/labview](http://ni.com/labview).

## NI-Serial Features

### Hardware

- Flexible baud rates up to 3 Mb/s
- High-performance DMA engine
- Isolation up to 2000 V
- RS-485 transceiver control

### Software

- Deterministic control with LabVIEW Real-Time
- Over 3000 instrument drivers online
- Powerful development tools

For more information about NI Serial products, refer to [ni.com/serial](http://ni.com/serial).

## ASCII Table

Dec	Hex	Char	Dec	Hex	Char	Dec	Hex	Char	Dec	Hex	Char
0	0x00	(nul)	32	0x20	(sp)	64	0x40	@	96	0x60	'
1	0x01	(soh)	33	0x21	!	65	0x41	A	97	0x61	a
2	0x02	(stx)	34	0x22	"	66	0x42	B	98	0x62	b
3	0x03	(etx)	35	0x23	#	67	0x43	C	99	0x63	c
4	0x04	(eot)	36	0x24	\$	68	0x44	D	100	0x64	d
5	0x05	(enq)	37	0x25	%	69	0x45	E	101	0x65	e
6	0x06	(ack)	38	0x26	&	70	0x46	F	102	0x66	f
7	0x07	(bel)	39	0x27	'	71	0x47	G	103	0x67	g
8	0x08	(bs)	40	0x28	(	72	0x48	H	104	0x68	h
9	0x09	(tab)	41	0x29	)	73	0x49	I	105	0x69	i
10	0x0A	(lf)	42	0x2A	*	74	0x4A	J	106	0x6A	j
11	0x0B	(vt)	43	0x2B	+	75	0x4B	K	107	0x6B	k
12	0x0C	(ff)	44	0x2C	,	76	0x4C	L	108	0x6C	l
13	0x0D	(cr)	45	0x2D	-	77	0x4D	M	109	0x6D	m
14	0x0E	(so)	46	0x2E	.	78	0x4E	N	110	0x6E	n
15	0x0F	(si)	47	0x2F	/	79	0x4F	O	111	0x6F	o
16	0x10	(dle)	48	0x30	0	80	0x50	P	112	0x70	p
17	0x11	(dc1)	49	0x31	1	81	0x51	Q	113	0x71	q
18	0x12	(dc2)	50	0x32	2	82	0x52	R	114	0x72	r
19	0x13	(dc3)	51	0x33	3	83	0x53	S	115	0x73	s
20	0x14	(dc4)	52	0x34	4	84	0x54	T	116	0x74	t
21	0x15	(nak)	53	0x35	5	85	0x55	U	117	0x75	u
22	0x16	(syn)	54	0x36	6	86	0x56	V	118	0x76	v
23	0x17	(etb)	55	0x37	7	87	0x57	W	119	0x77	w
24	0x18	(can)	56	0x38	8	88	0x58	X	120	0x78	x
25	0x19	(em)	57	0x39	9	89	0x59	Y	121	0x79	y
26	0x1A	(sub)	58	0x3A	:	90	0x5A	Z	122	0x7A	z
27	0x1B	(esc)	59	0x3B	;	91	0x5B	[	123	0x7B	{
28	0x1C	(fs)	60	0x3C	<	92	0x5C	\	124	0x7C	
29	0x1D	(gs)	61	0x3D	=	93	0x5D	]	125	0x7D	}
30	0x1E	(rs)	62	0x3E	>	94	0x5E	^	126	0x7E	~
31	0x1F	(us)	63	0x3F	?	95	0x5F	_	127	0x7F	(del)

For more information about NI products, refer to [ni.com](http://ni.com).

Refer to the *NI Trademarks and Logo Guidelines* at [ni.com/trademarks](http://ni.com/trademarks) for more information on National Instruments trademarks. Other product and company names mentioned herein are trademarks or trade names of their respective companies. For patents covering National Instruments products/technology, refer to the appropriate location: **Help»Patents** in your software, the `patents.txt` file on your media, or the *National Instruments Patents Notice* at [ni.com/patents](http://ni.com/patents). You can find information about end-user license agreements (EULAs) and third-party legal notices in the readme file for your NI product. Refer to the *Export Compliance Information* at [ni.com/legal/export-compliance](http://ni.com/legal/export-compliance) for the National Instruments global trade compliance policy and how to obtain relevant HTS codes, ECCNs, and other import/export data.

© 2004–2013 National Instruments. All rights reserved.

371253E-01

Jul13

