

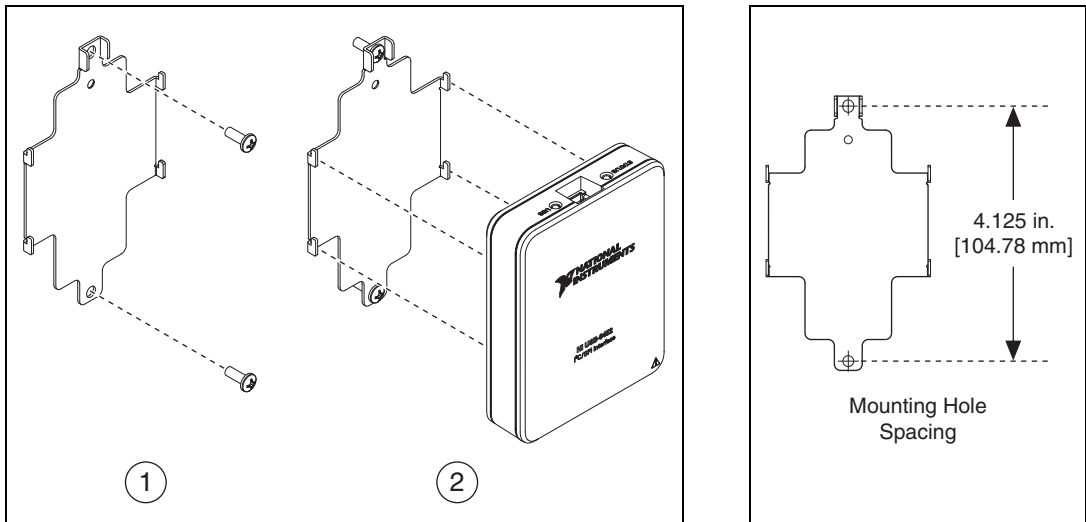
## INSTALLATION GUIDE

# USB-8452 Mounting Kit

This document explains how to attach the USB-8452 module to a wall or panel using the USB-8452 mounting kit. You can attach the module in either a removable or fixed configuration.

## Removable Installation Instructions

Complete the following steps to attach the USB-8452 module in a removable configuration, which allows removing the module without detaching the mounting bracket from the wall or panel.



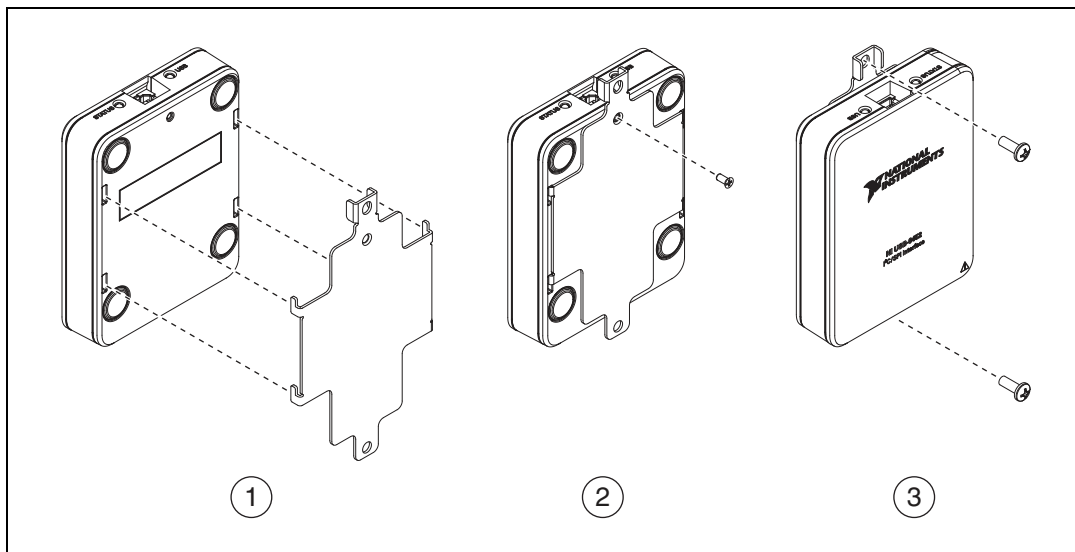
1. Attach the mounting bracket to a wall or panel using two #6 or M4 panhead screws (not provided). Refer to *Mounting Hole Spacing* above for recommended hole spacing dimensions.
2. Hook the USB-8452 module onto the mounting bracket by inserting the bracket hooks into the mating module slots (not visible in the figure above) and sliding the module downward.



**Note** To detach the USB-8452 module, slide the module upward and pull perpendicular to the mounting surface.

# Fixed Installation Instructions

Complete the following steps to attach the USB-8452 module in a fixed configuration, which requires detaching the mounting bracket to remove the module from the wall or panel.



1. Attach the mounting bracket to the USB-8452 module by inserting the bracket hooks into the mating module slots. Slide the bracket upward to engage the bracket hooks temporarily.
2. Align the mounting bracket screw hole with the mating USB-8452 hole and use the provided #2 Phillips undercut flathead screw to attach the bracket to the module.
3. Mount the USB-8452 bracket assembly to a wall or panel using two #6 or M4 panhead screws (not provided). Refer to *Mounting Hole Spacing* on the previous page for recommended hole spacing dimensions.

LabVIEW, National Instruments, NI, ni.com, the National Instruments corporate logo, and the Eagle logo are trademarks of National Instruments Corporation. Refer to the *Trademark Information* at [ni.com/trademarks](http://ni.com/trademarks) for other National Instruments trademarks. Other product and company names mentioned herein are trademarks or trade names of their respective companies. For patents covering National Instruments products/technology, refer to the appropriate location: **Help»Patents** in your software, the `patents.txt` file on your media, or the *National Instruments Patent Notice* at [ni.com/patents](http://ni.com/patents). You can find information about end-user license agreements (EULAs) and third-party legal notices in the USB-8452 Readme. Refer to the *Export Compliance Information* at [ni.com/legal/export-compliance](http://ni.com/legal/export-compliance) for the National Instruments global trade compliance policy and how to obtain relevant HTS codes, ECCNs, and other import/export data.