

NI PXI-1042 FRONT RACK MOUNT KIT INSTALLATION GUIDE

To mount the NI PXI-1042 in an instrument rack, follow the steps below.

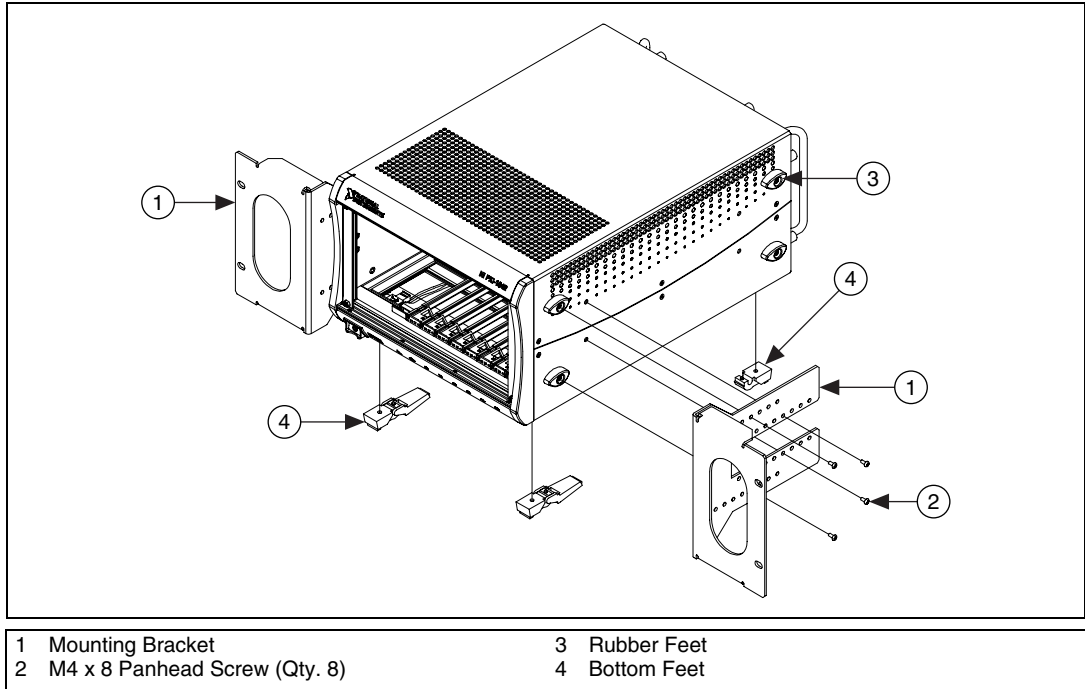


Figure 1. NI PXI-1042 in Rack Mount Configuration

1. Remove the rubber feet and bottom feet (as required) from the NI PXI-1042 chassis.
2. Install the mounting brackets onto each side of the chassis using the M4 x 8 panhead screws supplied. Notice that you can recess the chassis in the cabinet rack at .5 in. increments up to 4 in.
3. Install the chassis in the instrument rack using four screws (not supplied).

National Instruments™, NI™, and ni.com™ are trademarks of National Instruments Corporation. Product and company names mentioned herein are trademarks or trade names of their respective companies. For patents covering National Instruments products, refer to the appropriate location: **Help»Patents** in your software, the `patents.txt` file on your CD, or `ni.com/patents`.

October 2002
323513A-01