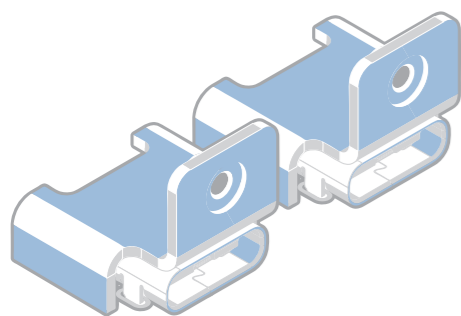


Connect to Power

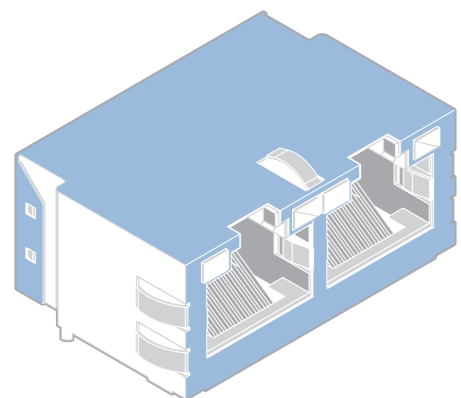
1. Ensure that your power supply is powered off.
2. Insert the power connector plug into the power connector receptacle of the sbRIO-9629 until the connector latches into place.
3. Turn on the power supply.



Connect to the Host Computer via USB

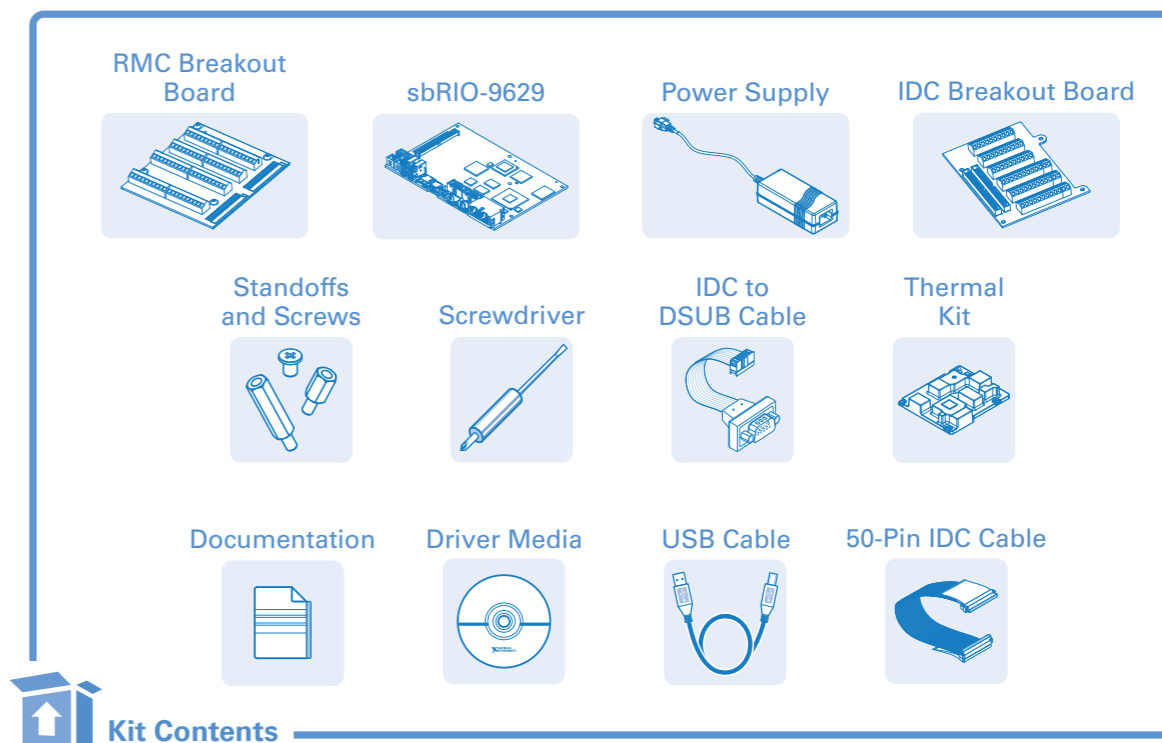
1. Power on the host computer.
2. Connect the USB Type-C 2.0 device port of the sbRIO-9629 to the host computer using a Type-C to Type-A USB cable.

OR



Connect to the Host Computer via Ethernet

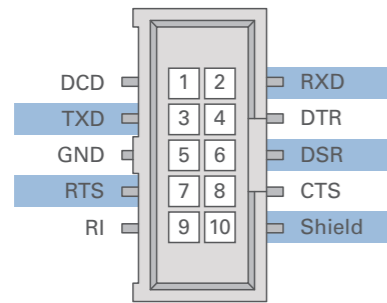
1. Power on the host computer.
2. Connect the sbRIO-9629 to the host computer using a standard Category 5 (CAT-5) or better shielded, twisted-pair Ethernet cable.



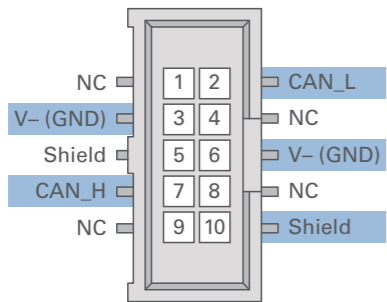
For a complete list of resources go to the following URL: ni.com/r/sbrio

Information is subject to change without notice. Refer to the *NI Trademarks and Logo Guidelines* at ni.com/trademarks for more information on NI trademarks. Other product and company names mentioned herein are trademarks or trade names of their respective companies. For patents covering NI products/technology, refer to the appropriate location: **Help»Patents** in your software, the `patents.txt` file on your media, or the *National Instruments Patents Notice* at ni.com/patents. You can find information about end-user license agreements (EULAs) and third-party legal notices in the `readme` file for your NI product. Refer to the *Export Compliance Information* at ni.com/legal/export-compliance for the NI global trade compliance policy and how to obtain relevant HTS codes, ECCNs, and other import/export data. NI MAKES NO EXPRESS OR IMPLIED WARRANTIES AS TO THE ACCURACY OF THE INFORMATION CONTAINED HEREIN AND SHALL NOT BE LIABLE FOR ANY ERRORS. U.S. Government Customers: The data contained in this manual was developed at private expense and is subject to the applicable limited rights and restricted data rights as set forth in FAR 52.227-14, DFAR 252.227-7014, and DFAR 252.227-7015.

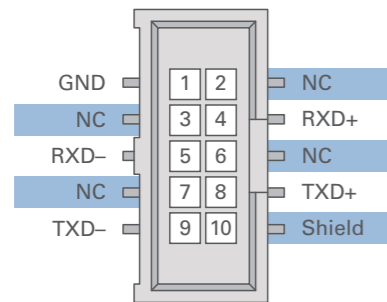
RS-232 Pinout (ASRL1, ASRL2)



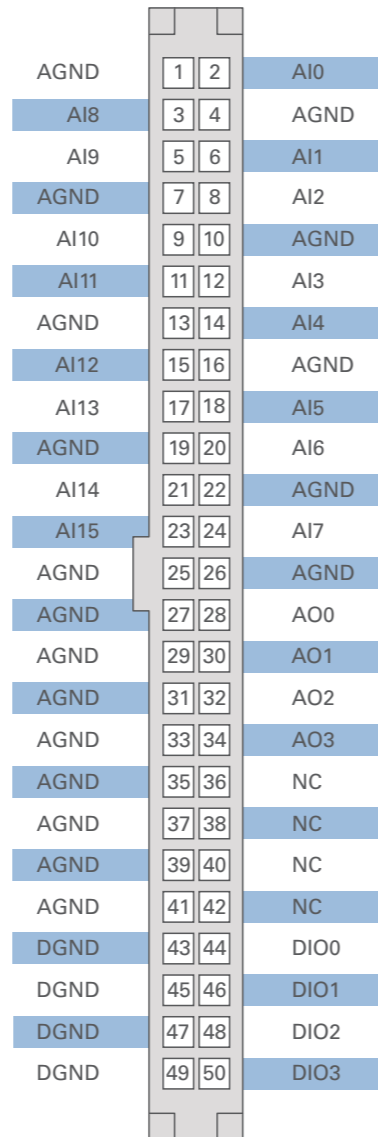
CAN Pinout



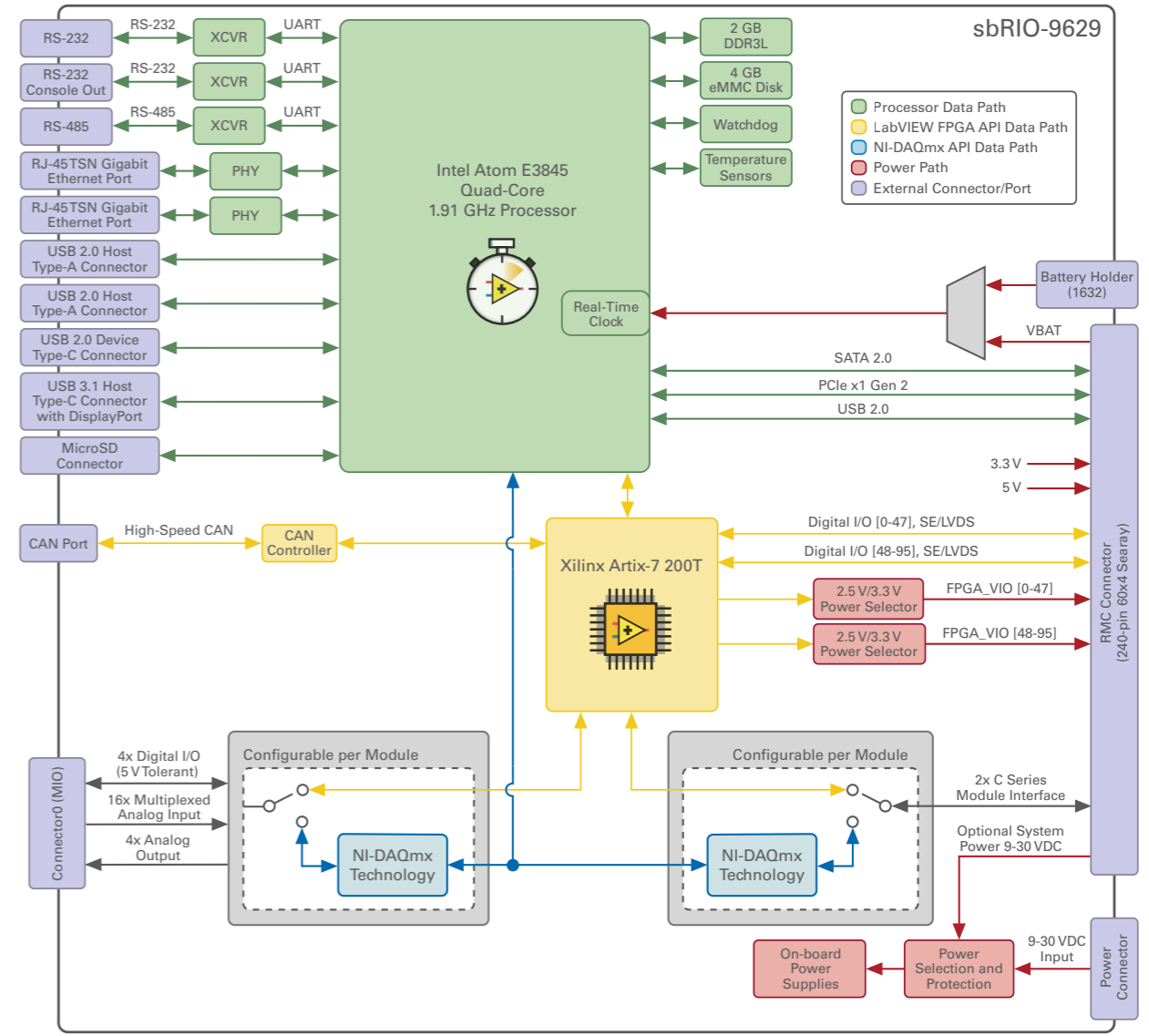
RS-485 (ASRL3) Pinout



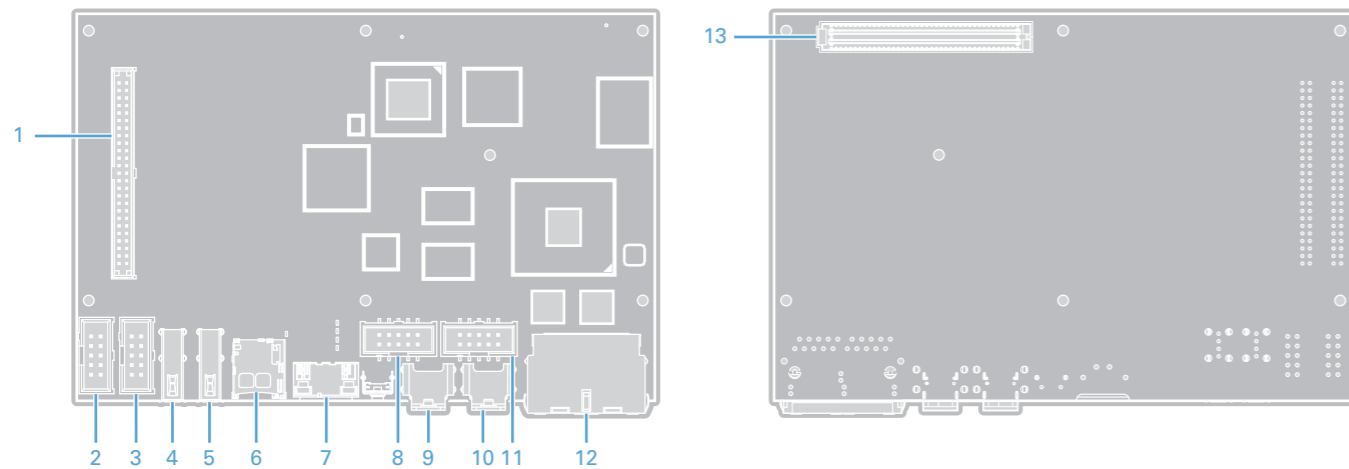
Connector0 (MIO port) Pinout



sbRIO-9629 Block Diagram

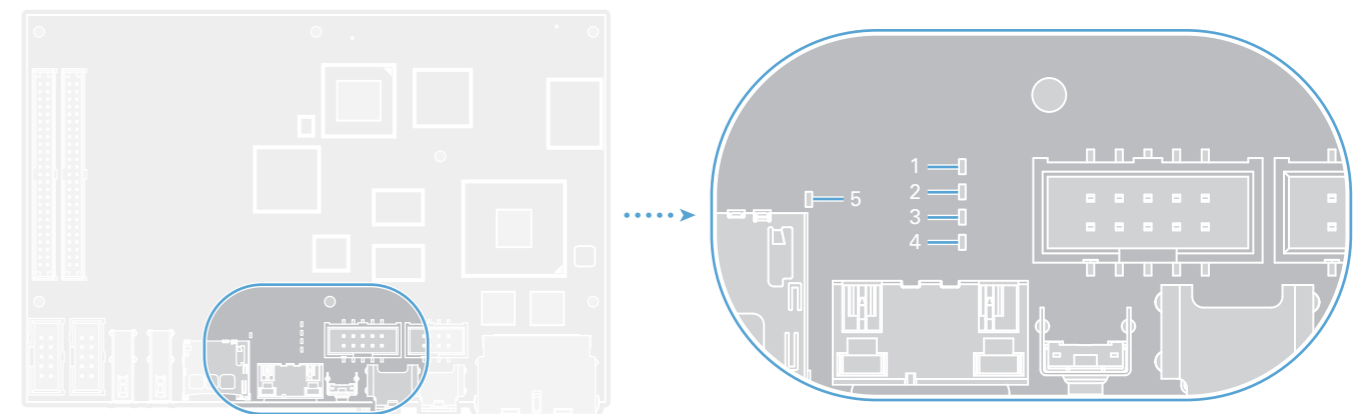


sbRIO-9629 Parts Locator Diagram



- 1. Connector0 (MIO Port)
- 2. RS-485 port (ASRL3)
- 3. RS-232 port (ASRL2)
- 4. USB Type-A 2.0 host port
- 5. USB Type-A 2.0 host port
- 6. MicroSD port
- 7. Power terminal
- 8. CAN port
- 9. USB Type-C 2.0 device port
- 10. USB Type C 3.1 host port
- 11. RS-232 serial port (ASRL1)
- 12. Ethernet ports
- 13. RMC Connector

sbRIO-9629 LEDs



- 1. Power LED
- 2. Status LED
- 3. User1 LED
- 4. User FPGA1 LED
- 5. SD in Use LED