

# READ ME FIRST

# NI TBX-50B

## 50 Pin D-SUB Screw Terminal Block

This document describes the connector and screw terminal pinouts of the NI TBX-50B terminal block.

The NI TBX-50B terminal block is DIN rail-mountable with screw terminals to connect the signals to the switch and includes a 50 pin D-SUB male connector.

## Specifications

Maximum voltage..... 150 V

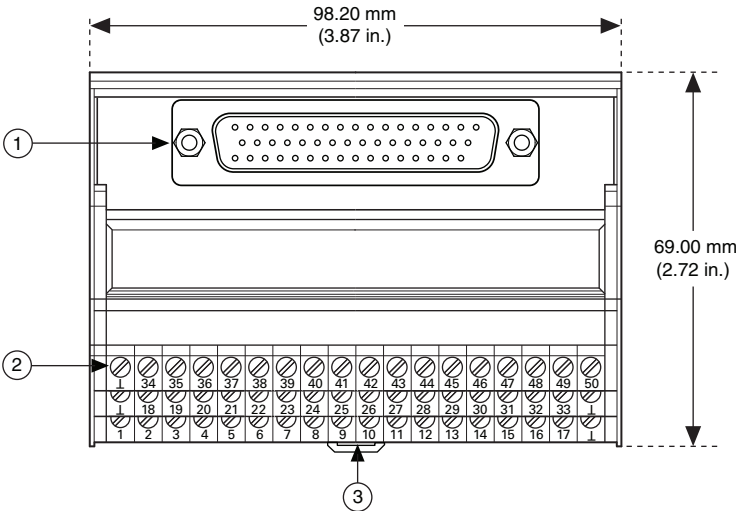
Maximum current ..... 2.5 A



**Caution** For hazardous voltage applications or measurements ( $>42.4 V_{pk}/60 VDC$ ), install the NI TBX-50B in a UL listed, suitably rated NEMA or IP enclosure.

Refer to Figure 1 for the screw terminal pin locations on the NI TBX-50B.

**Figure 1. NI TBX-50B Pin Reference**

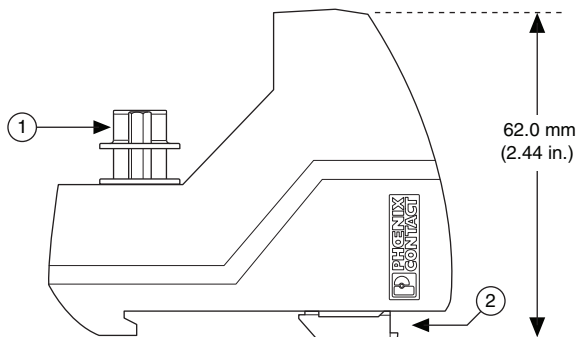


- 1 50 Pin D-SUB Connector
- 2 D-SUB Shield Connections

- 3 Din Rail Mounting Connector

Refer to Figure 2 for connector reference on the NI TBX-50B.

**Figure 2. NI TBX-50B Terminal Reference**



1 50 Pin D-SUB Connector

2 Din Rail Mounting Connector



**Note** This terminal block is manufactured by Phoenix Contact. The Phoenix Contact part number is 2315159.

Refer to the *NI Trademarks and Logo Guidelines* at [ni.com/trademarks](http://ni.com/trademarks) for more information on National Instruments trademarks. Other product and company names mentioned herein are trademarks or trade names of their respective companies. For patents covering National Instruments products/technology, refer to the appropriate location: **Help»Patents** in your software, the `patents.txt` file on your media, or the *National Instruments Patents Notice* at [ni.com/patents](http://ni.com/patents). You can find information about end-user license agreements (EULAs) and third-party legal notices in the readme file for your NI product. Refer to the *Export Compliance Information* at [ni.com/legal/export-compliance](http://ni.com/legal/export-compliance) for the National Instruments global trade compliance policy and how to obtain relevant HTS codes, ECCNs, and other import/export data.

© 2013 National Instruments. All rights reserved.