

INSTALLATION INSTRUCTIONS

NI TB-2637

8 × 32 1-Wire Terminal Block for the NI PXI-2534

このドキュメントには、日本語ページも含まれています。

This document describes how to install and connect signals to the National Instruments TB-2637 terminal block. Refer to the *NI Switches Getting Started Guide* to determine when to install the NI TB-2637.

Introduction

The NI TB-2637 terminal block installs in front of the NI PXI-2534 switch module and has screw terminals that provide access to the rows and columns of the matrix.

1. Unpack the Terminal Block

The terminal block is shipped in an antistatic package to prevent electrostatic discharge (ESD) that can damage several components on the terminal block. To avoid such damage when you handle the terminal block, take the following precautions:



Caution *Never* touch the exposed pins of connectors.

- Ground yourself using a grounding strap or by touching a grounded object.
- Touch the antistatic package to a metal part of the chassis before you remove the terminal block from the package.

Remove the terminal block from the package and inspect the terminal block for loose components or any sign of damage. Notify NI if the terminal block appears damaged in any way. *Do not* install a damaged terminal block on a switch module.

Store the terminal block in the antistatic package when not in use.

2. Verify the Components

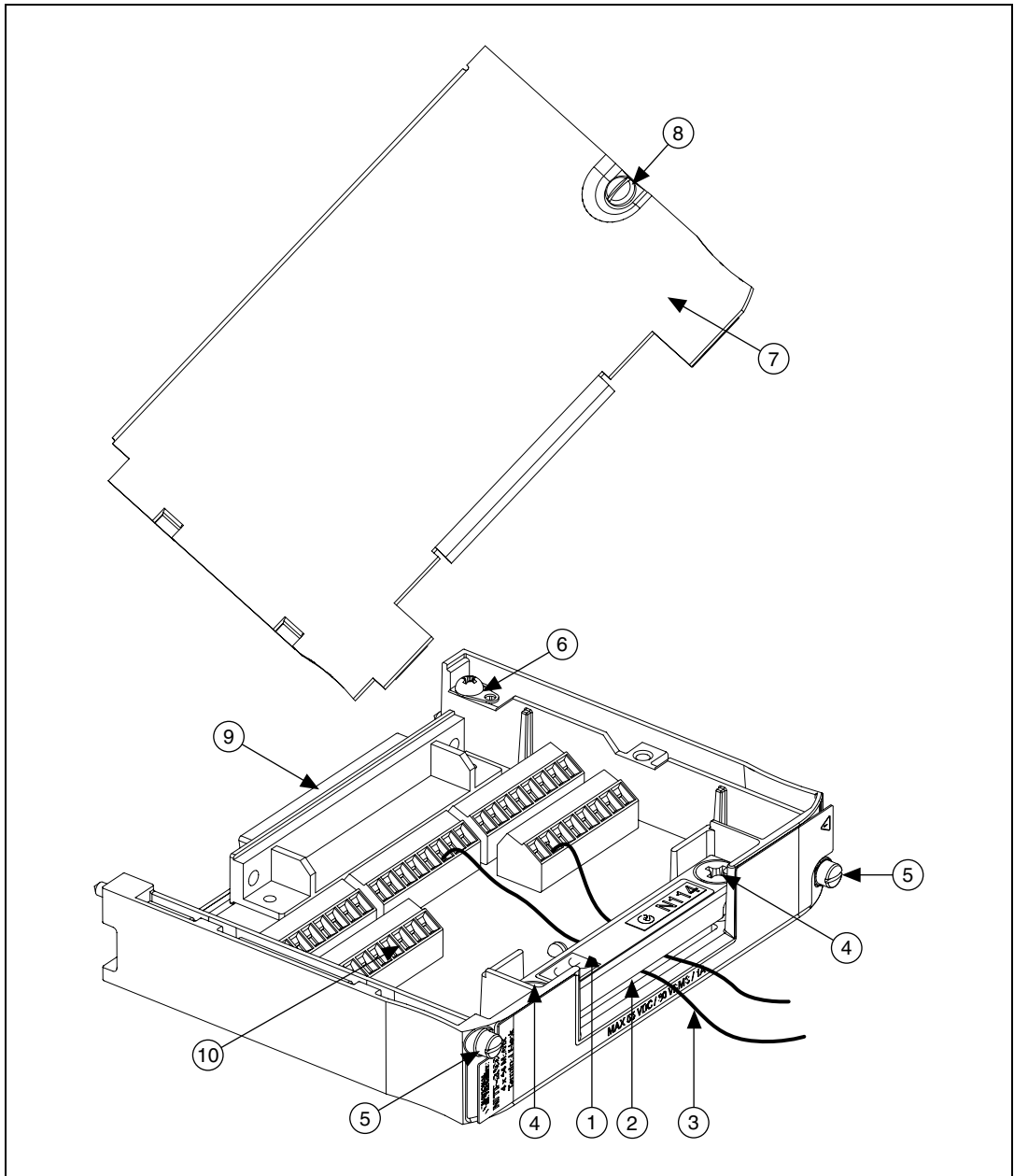
Make sure you have the following:

- NI TB-2637 terminal block
- PXI chassis
- NI PXI-2534 switch module
- 1/8 in. flathead screwdriver

3. Connect Signals

To connect signals to the terminal block, complete the following steps while referring to Figure 1.

1. Remove the terminal block top cover screw with a flathead screwdriver.
2. Gently lift the terminal block top cover off the terminal block.
3. Loosen the two screws on the strain-relief bar, leaving plenty of space for the signal cables.
4. Pull the signal wires through the strain-relief opening shown in Figure 1.
5. Connect the safety earth ground to the safety ground lug.
6. Connect the wires to the terminals by inserting the stripped end of the wire into the terminal. Secure the wire by tightening the screw for each terminal. No bare wire should extend past the screw terminal. Exposed wire increases the risk of a short-circuit and can result in a failure.
7. Remove the slack in the terminal block wiring by pulling the wires through the strain-relief bar.
8. Tighten the two screws on the strain-relief bar until the signal wires are secured.
9. Replace the terminal block top cover.
10. Secure the terminal block top cover with the top cover screw.



- | | |
|-------------------------|----------------------------|
| 1 Strain-Relief Bar | 6 Safety Ground Lug |
| 2 Strain-Relief Opening | 7 Terminal Block Top Cover |
| 3 Signal Wires | 8 Top Cover Screw |
| 4 Strain-Relief Screws | 9 Rear Connector |
| 5 Jackscrews | 10 Screw Terminals |

Figure 1. NI TB-2637 Terminal Block

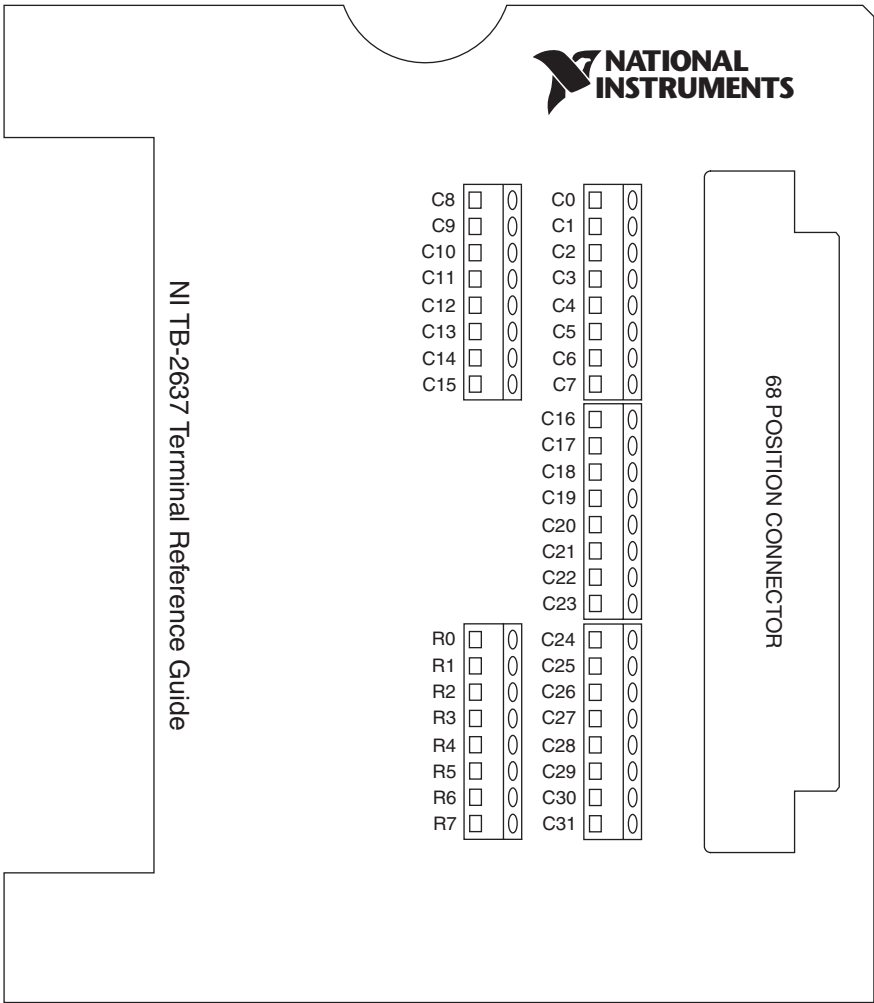


Figure 2. NI TB-2637 Terminal Reference

4. Install the Terminal Block

To connect the NI TB-2637 terminal block to the NI PXI-2534 front panel, complete the following steps while referring to Figure 3.

1. Connect the NI PXI-2534 front connector to its mating connector on the terminal block.
2. Tighten the top and bottom jackscrews on the terminal block to hold it securely in place. Do *not* overtighten the screws.

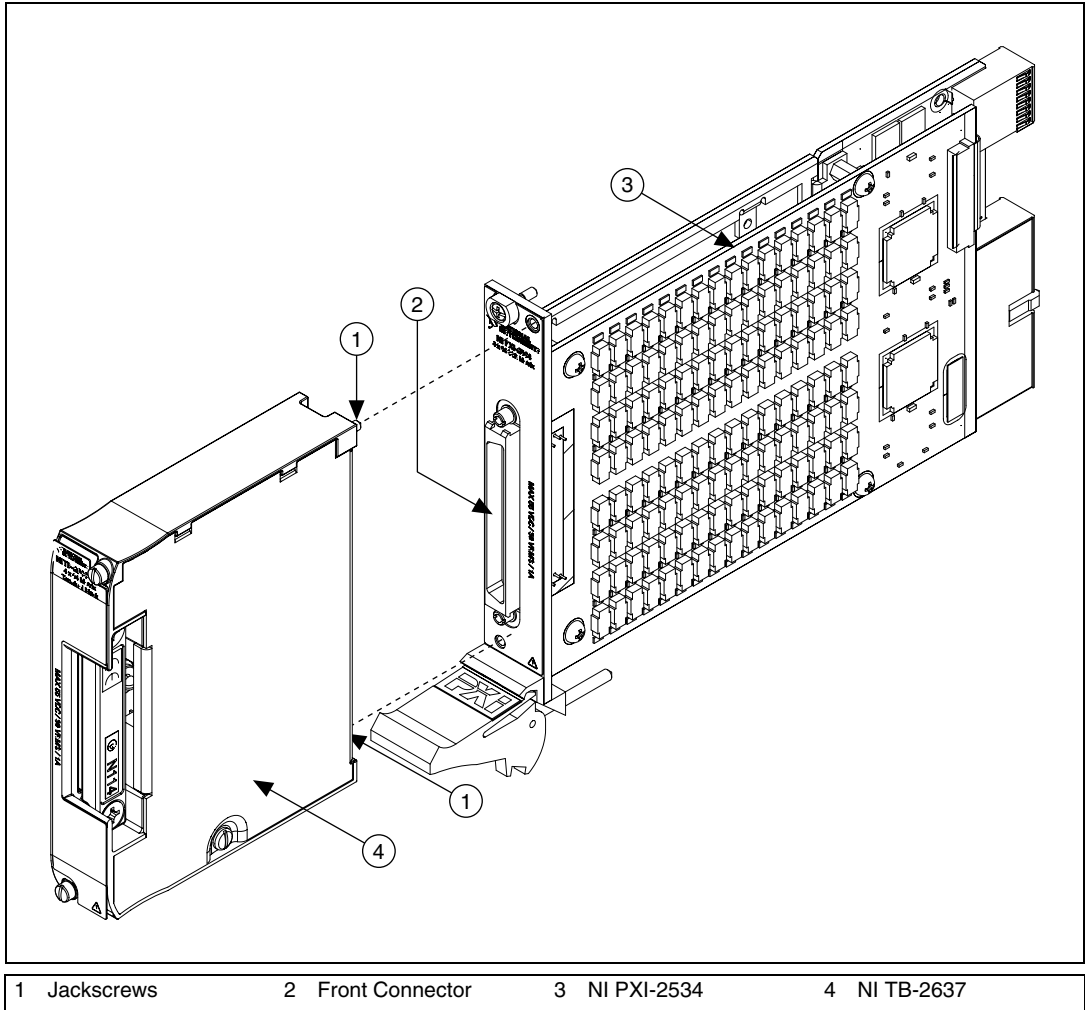


Figure 3. Installing the NI TB-2637 Terminal Block

Compliance and Certifications

Safety

This product is designed to meet the requirements of the following standards of safety for electrical equipment for measurement, control, and laboratory use:

- IEC 61010-1, EN 61010-1
- UL 61010-1, CSA 61010-1



Note For UL and other safety certifications, refer to the product label or visit ni.com/certification, search by model number or product line, and click the appropriate link in the Certification column.

Electromagnetic Compatibility

This product is designed to meet the requirements of the following standards of EMC for electrical equipment for measurement, control, and laboratory use:

- EN 61326 EMC requirements; Minimum Immunity
- EN 55011 Emissions; Group 1, Class A
- CE, C-Tick, ICES, and FCC Part 15 Emissions; Class A



Note For EMC compliance, operate this device with shielded cabling.

CE Compliance

This product meets the essential requirements of applicable European Directives, as amended for CE marking, as follows:

- 2006/95/EC; Low-Voltage Directive (safety)
- 2004/108/EC; Electromagnetic Compatibility Directive (EMC)



Note Refer to the Declaration of Conformity (DoC) for this product for any additional regulatory compliance information. To obtain the DoC for this product, visit ni.com/certification, search by model number or product line, and click the appropriate link in the Certification column.

Environmental Management

National Instruments is committed to designing and manufacturing products in an environmentally responsible manner. NI recognizes that eliminating certain hazardous substances from our products is beneficial not only to the environment but also to NI customers.

For additional environmental information, refer to the *NI and the Environment* Web page at ni.com/environment. This page contains the environmental regulations and directives with which NI complies, as well as other environmental information not included in this document.

Waste Electrical and Electronic Equipment (WEEE)



EU Customers At the end of their life cycle, all products *must* be sent to a WEEE recycling center. For more information about WEEE recycling centers and National Instruments WEEE initiatives, visit ni.com/environment/weee.htm.

电子信息产品污染控制管理办法（中国 RoHS）



中国客户 National Instruments 符合中国电子信息产品中限制使用某些有害物质指令 (RoHS)。关于 National Instruments 中国 RoHS 合规性信息，请登录 ni.com/environment/rohs_china。(For information about China RoHS compliance, go to ni.com/environment/rohs_china.)

National Instruments, NI, ni.com, and LabVIEW are trademarks of National Instruments Corporation. Refer to the *Terms of Use* section on ni.com/legal for more information about National Instruments trademarks. Other product and company names mentioned herein are trademarks or trade names of their respective companies. For patents covering National Instruments products, refer to the appropriate location: **Help»Patents** in your software, the `patents.txt` file on your CD, or ni.com/patents.