

NI SCXI™-1130 Specifications

256-Channel Reed Relay Multiplexer/Matrix

このドキュメントには、日本語ページも含まれています。

This document lists specifications for the NI SCXI-1130 multiplexer/matrix module. All specifications are subject to change without notice. Visit ni.com/manuals for the most current specifications.

Topologies1-wire 256 × 1 multiplexer,
1-wire dual 128 × 1 multiplexer,
1-wire quad 64 × 1 multiplexer,
1-wire octal 32 × 1 multiplexer,
1-wire sixteen 16 × 1 multiplexer,
2-wire 128 × 1 multiplexer,
2-wire quad 32 × 1 multiplexer,
2-wire octal 16 × 1 multiplexer,
4-wire 64 × 1 multiplexer,
4-wire quad 16 × 1 multiplexer,
1-wire 4 × 64 matrix,
1-wire 8 × 32 matrix,
2-wire 4 × 32 matrix,
independent

Refer to the *NI Switches Help* for detailed topology information.



Note The NI SCXI-1130 has 16 interconnected banks of 16x1, 1-wire multiplexers. These can be used in any combination with the Independent topology.



Caution To ensure the specified EMC performance, operate this product only with shielded cables and accessories.



Caution Refer to the *Read Me First: Safety and Electromagnetic Compatibility* document at ni.com/manuals for important safety and compliance information.

About These Specifications

Specifications characterize the warranted performance of the instrument under the stated operating conditions.

Typical Specifications are specifications met by the majority of the instrument under the stated operating conditions and are tested at 23 °C. Typical specifications are not warranted.

All voltages are specified in DC, AC_{pk}, or a combination unless otherwise specified.

Input Characteristics

Maximum switching voltage60 VDC, 30 VAC_{rms},
CAT I
(channel-to-channel and channel-to-ground)

Maximum current0.4 A
(per terminal or internal path)

Maximum switching power10 W
(per channel, resistive)

Typical DC path resistance
(channel-to-common)

Initial<2 Ω

End of life≥3 Ω

Path resistance is a combination of relay contact resistance and trace resistance. Contact resistance typically remains low for the life of a relay. At the end of relay life, the contact resistance may rise rapidly above 3 Ω.

Typical thermal EMF<50 μV
(1-wire configuration, channel-to-common)

RF Performance Characteristics

Typical bandwidth
(50 Ω system, 1-wire configuration referenced to 1WREF)

16 \times 1	>15 MHz
256 \times 1	>3 MHz

Typical channel-to-channel isolation
(50 Ω system, 1-wire configuration referenced to 1WREF)

200 kHz.....	>60 dB
1 MHz	>40 dB

Dynamic Characteristics

Simultaneous drive limit64 relays

Typical relay life (no load)

Mechanical.....	1 \times 10 ⁹ cycles
Electrical (resistive, <10 pF load)	
10 V, 100 mA	1 \times 10 ⁸ cycles
25 V, 400 mA	5 \times 10 ⁶ cycles
60 V, 160 mA	1 \times 10 ⁶ cycles

To estimate reed relay lifetime, refer to the [Reed Relay Life](#) section of this document.



Note Reed relays are highly susceptible to damage caused by switching capacitive and inductive loads. Capacitive loads can cause high inrush currents while inductive loads can cause high flyback voltages. The addition of appropriate resistive protection can greatly improve contact lifetime. For more information about adding protection circuitry to a capacitive load, visit ni.com/info and enter the Info Code `relaylifetime`. For information about inductive loads, enter the Info Code `relayflyback`.

Trigger Characteristics

Input trigger

Sources.....	SCXI trigger lines 0–7, Front panel, Rear connector
--------------	---

Minimum pulse width.....150 ns

Front panel input voltage

Absolute minimum	–0.5 V
Absolute maximum	+5.5 V
V _{IL} maximum	+0.7 V
V _{IH} minimum.....	+2.0 V
Nominal	+3.3 V

Output trigger

Destinations.....	SCXI trigger lines 0–7, Front panel, Rear connector
Pulse width.....	Programmable (1 μ s to 62 μ s)
Front panel nominal voltage.....	+3.3 V TTL, 8 mA

Physical Characteristics

Relay types..... Reed

Contact material..... Rhodium



Note The relays used in the NI SCXI-1130 are field replaceable. Refer to the *NI Switches Help* for information about replacing a failed relay.

Front panel connectors..... Two 176-pin docking station plugs

SCXI power requirement

+5 VDC	50 mA
+18.5 VDC to +25 VDC	170 mA
–18.5 VDC to –25 VDC	170 mA

Dimensions (L \times W \times H).....19.8 \times 3.0 \times 17.3 cm
(7.8 \times 1.2 \times 6.8 in.)

Weight..... 1,020 g (2 lb 4 oz)

Environment

Operating temperature 0 $^{\circ}$ C to 55 $^{\circ}$ C

Storage temperature –20 $^{\circ}$ C to 70 $^{\circ}$ C

Relative humidity..... 5% to 85%,
noncondensing

Pollution Degree 2

Maximum altitude..... 2,000 m

Indoor use only.

Refer to Figure 1 for the hardware diagram of the NI SCXI 1130.

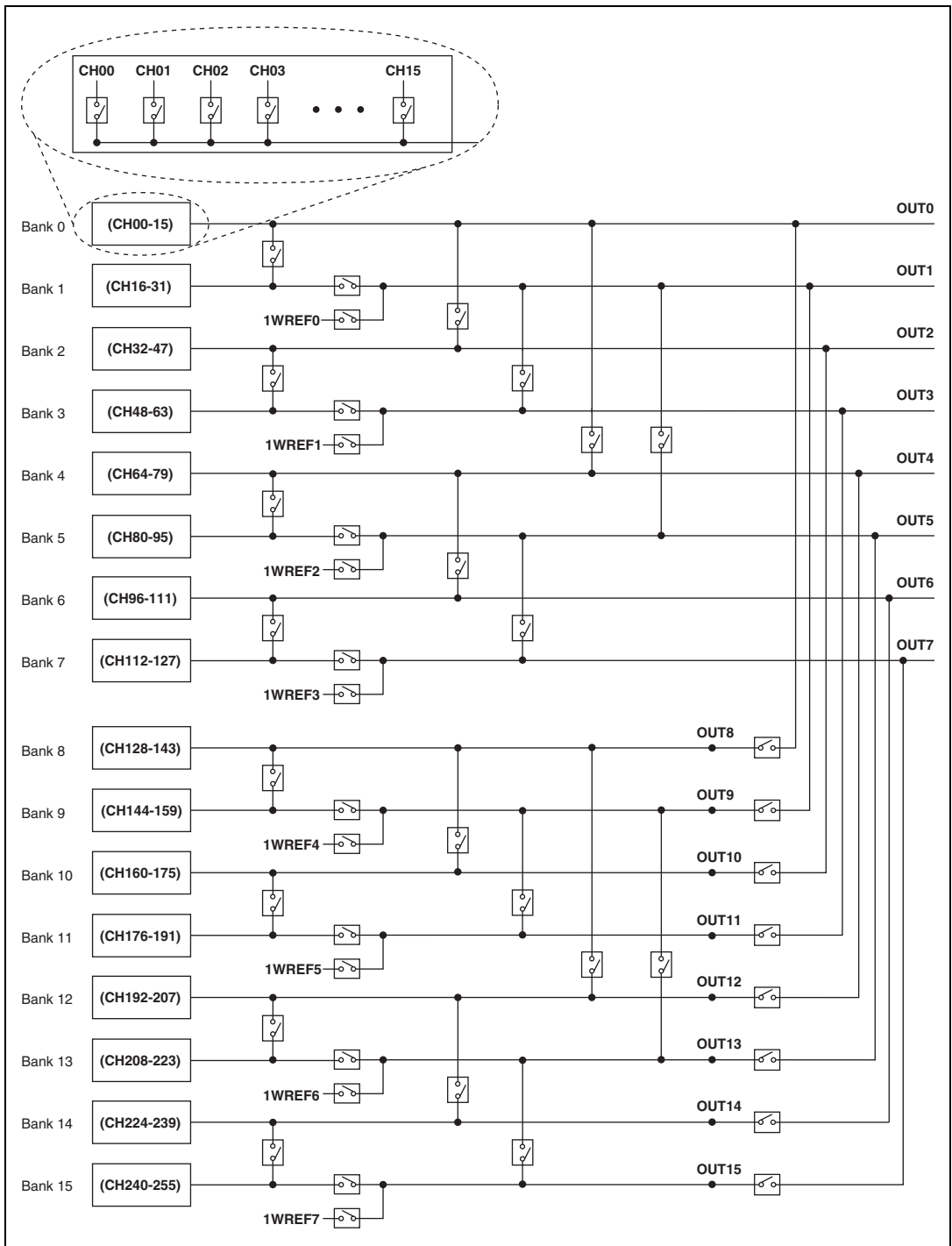


Figure 1. NI SCXI-1130 Hardware Diagram (All Relays Open)

The following figure shows the NI SCXI-1130 connector pinout for the top and bottom connectors.

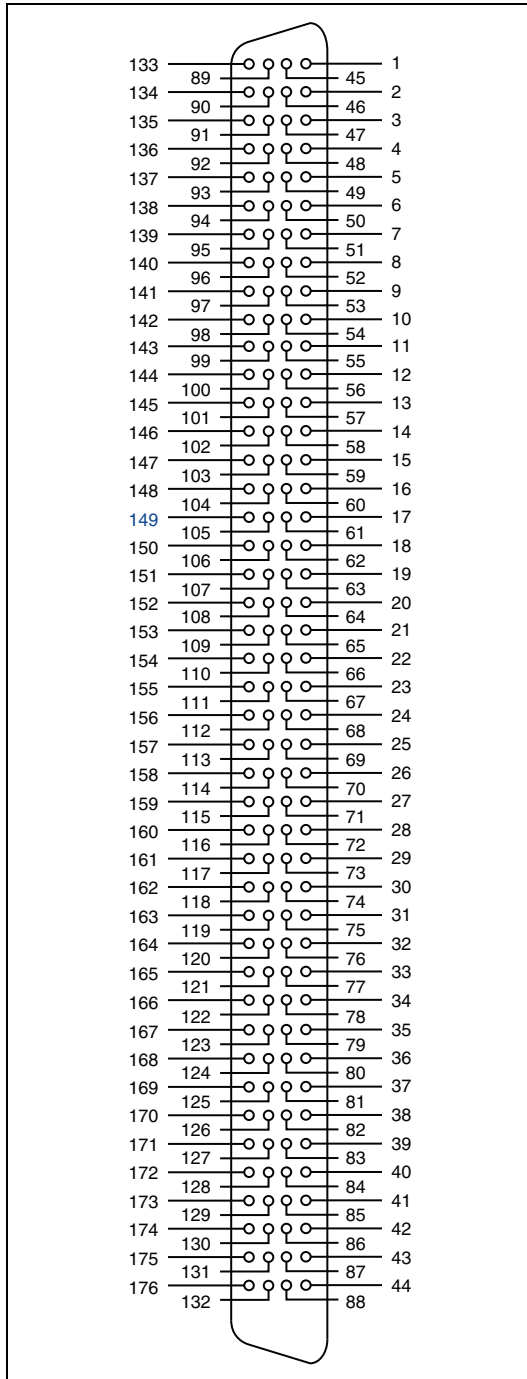


Figure 2. NI SCXI-1130 Connector Pinout



Note For topology-specific connection information, refer to your device in the *NI Switches Help* and the installation instructions for any associated cables or terminal blocks.

Accessories

Visit ni.com for more information about the following accessories.



Caution You *must* install mating connectors according to local safety codes and standards and according to the specifications provided by the connector manufacturer. You are responsible for verifying safety compliance of third-party connectors and their usage according to the relevant standard(s), including UL and CSA in North America and IEC and VDE in Europe.

Table 1. NI Accessories Available for the NI SCXI-1130

Accessory	Part Number
NI SCXI-1377 Terminal Block (multiplexer)	778716-01
NI SCXI-1378 Terminal Block (4x64 1-wire matrix, 4x32 2-wire matrix)	778731-01
NI SCXI-1379 Terminal Block (8x32 1-wire matrix)	778732-01

Reed Relay Life

Figure 3 shows the reed relay lifetime nomograph. The purpose of this graph is to estimate reed relay lifetime.



Note This nomograph is not meant to be an exact or guaranteed specification and should only be used as a guideline to estimate lifetime. Actual reed relay lifetimes may vary depending on application.

Complete the following steps to use this nomograph:

1. Determine the peak voltage experienced across the relay while switching and mark this value on the *Volts* line.
2. Determine the sum of the DUT, cable, and instrumentation capacitances and mark this value on the *Load Capacitance* line.
3. Draw a straight line between both values.

The intersection points of this line and the *No Protection* and *50 Ω Protection* axes are the corresponding estimated relay lifetimes in cycles. For more information on adding protection resistance, visit ni.com/info and enter the Info Code `relaylifetime`.

Refer to the following example and Figure 3 for an example application.

Example

The reed relay module is connected to a DMM via 1 meter of cable. The DMM and cable capacitances are 100 pF and 30 pF respectively. The maximum voltage switched across the relay is 50 volts. Determine the estimated number of relay cycles with and without protection resistance.

Solution

The total load capacitance is the sum of the cable and DMM capacitance, which is 130 pF. Draw a line between the 50 V point on the *Volts* axis and 130 pF on the *Load Capacitance* axis.

The line drawn intersects the *Cycles* axes at approximately 500,000 on the *No Protection* axis and about 25,000,000 on the *50 Ω Protection* axis (refer to Figure 3). This series resistance should be placed as close as possible to the relay for maximum effect.

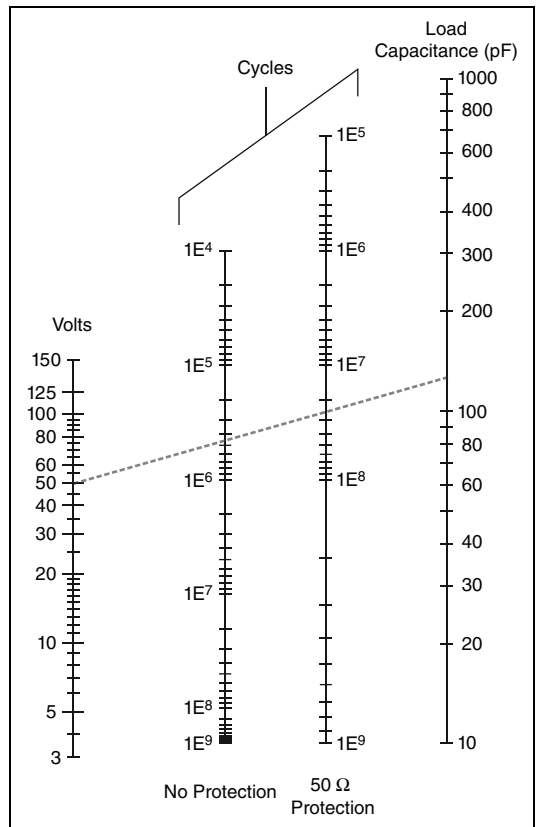


Figure 3. Reed Relay Lifetime Nomograph

Compliance and Certifications

Safety

This product meets the requirements of the following standards of safety for electrical equipment for measurement, control, and laboratory use:

- IEC 61010-1, EN 61010-1
- UL 61010-1, CSA 61010-1



Note For UL and other safety certifications, refer to the product label or the *Online Product Certification* section.

Electromagnetic Compatibility

This product meets the requirements of the following EMC standards for electrical equipment for measurement, control, and laboratory use:

- EN 61326-1 (IEC 61326-1): Class A emissions; Basic immunity
- EN 55011 (CISPR 11): Group 1, Class A emissions
- AS/NZS CISPR 11: Group 1, Class A emissions
- FCC 47 CFR Part 15B: Class A emissions
- ICES-001: Class A emissions



Note For EMC declarations and certifications, refer to the *Online Product Certification* section.

CE Compliance

This product meets the essential requirements of applicable European Directives as follows:

- 2006/95/EC; Low-Voltage Directive (safety)
- 2004/108/EC; Electromagnetic Compatibility Directive (EMC)

Online Product Certification

To obtain product certifications and the Declaration of Conformity (DoC) for this product, visit ni.com/certification, search by model number or product line, and click the appropriate link in the Certification column.

Environmental Management

NI is committed to designing and manufacturing products in an environmentally responsible manner. NI recognizes that eliminating certain hazardous substances from our products is beneficial to the environment and to NI customers.

For additional environmental information, refer to the *NI and the Environment* Web page at ni.com/environment. This page contains the environmental regulations and directives with which NI complies, as well as other environmental information not included in this document.

Waste Electrical and Electronic Equipment (WEEE)



EU Customers At the end of the product life cycle, all products *must* be sent to a WEEE recycling center. For more information about WEEE recycling centers, National Instruments WEEE initiatives, and compliance with WEEE Directive 2002/96/EC on Waste Electrical and Electronic Equipment, visit ni.com/environment/weee.

LabVIEW, National Instruments, NI, ni.com, the National Instruments corporate logo, and the Eagle logo are trademarks of National Instruments Corporation. Refer to the *Trademark Information* at ni.com/trademarks for other National Instruments trademarks. Other product and company names mentioned herein are trademarks or trade names of their respective companies. For patents covering National Instruments products/technology, refer to the appropriate location: **Help»Patents** in your software, the `patents.txt` file on your media, or the *National Instruments Patent Notice* at ni.com/patents.