

INSTALLATION GUIDE

NI PS-14/15/16/17 Side Mount Brackets

This document provides the installation procedure for the NI PS-14/15/16/17 Side Mount Brackets. This accessory is used to mount NI PS-14/15/16/17 power supplies sideways to reduce the installation depth.

Two side mounting options are possible:

- 35 mm DIN-Rail Mount
- Panel Mount

Bracket and Assembly Dimensions

This section provides bracket and assembly dimensions. Table 1 provides a summary of the dimensions and weight of the overall assembly when a specific bracket set is mounted to a specific power supply. The *Unit* column lists the available power supplies. The *Bracket Set* column indicates the appropriate brackets to use with the specified power supply. The *A* column provides dimensions from the front of the power supply to the rearmost mounting screw for the assembly of power supply and brackets. The *B* column provides the total installation depth of the assembly when mounted. The *C* column provides the depth of the power supply only. The *Length* column provides the total length of the assembly. The *Width* column provides the width of the mounting brackets. The *Height* column provides the height of the brackets only. The *Bracket Set Weight* column provides the weight of the bracket set only.

Table 1. Bracket Set and Assembly Dimensions and Weight

Units	Use Bracket Set	A	B*	C	Length	Width	Height	Bracket Set Weight
NI PS-14	199429-01	89 mm	38 mm	32 mm	145 mm	65 mm	37 mm	140 g
NI PS-15	199429-01	104 mm	38 mm	32 mm	145 mm	65 mm	37 mm	140 g
NI PS-16	199430-01	104 mm	66 mm	60 mm	145 mm	65 mm	63 mm	180 g
NI PS-17	199431-01	124 mm	88 mm	82 mm	145 mm	65 mm	84.5 mm	205 g

* If the unit is panel mounted, the B dimension shows the required installation depth. If the unit is DIN-Rail mounted, the total installation depth is the B dimension plus 6 mm plus the height of the DIN-Rail.

Figure 1, Figure 2, and Figure 3 show the brackets for DIN-Rail mounting.

Figure 1 provides the layout of a mounting bracket in three physical dimensions, to allow easier visualization when using Table 1 with Figure 2 and Figure 3 to determine the dimensions of a specified bracket set mounted to a specified power supply.

Figure 1. Physical Dimension Variables

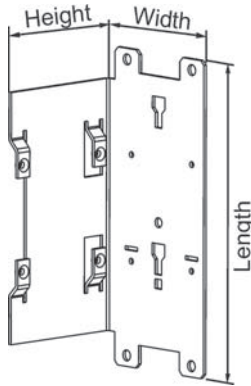


Figure 2 provides the B and C variables for determining the depth of a bracketed power supply assembly when mounting the assembly to a DIN-Rail or panel.

The total installation depth is the B dimension plus 6mm plus the height of the DIN-Rail. In case the unit is panel mounted, the B dimension shows the required installation depth. The C dimension is the depth of the power supply itself, and its sum is included in the value of B . All measurements are in millimeters.

Figure 2. Calculating the Installation Depth of the Assembly

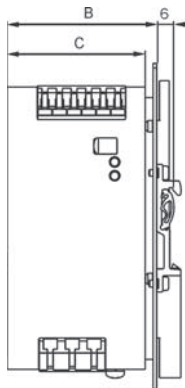
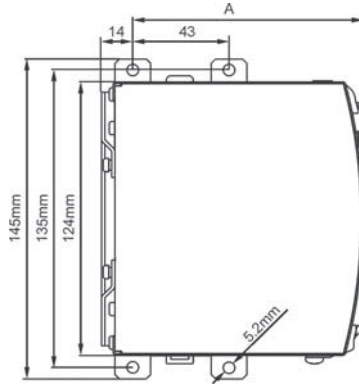


Figure 3 provides the constants and variables for determining the length and depth of a bracketed power supply mounted to a DIN-Rail.

Figure 3. Calculating the Dimensions for Screw Mounts



Assembly and Mounting Instructions

This section provides instructions for mounting the power supply sideways to a panel or to a DIN-Rail.



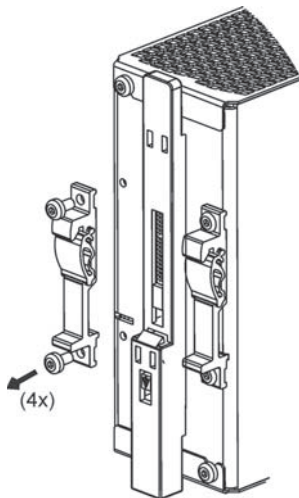
Note The two aluminum brackets and the black plastic slide must be removed from the units to allow mounting of the zinc-plated steel brackets.

Sideways Panel Mounting

Complete the following steps to mount the brackets to a flat wall.

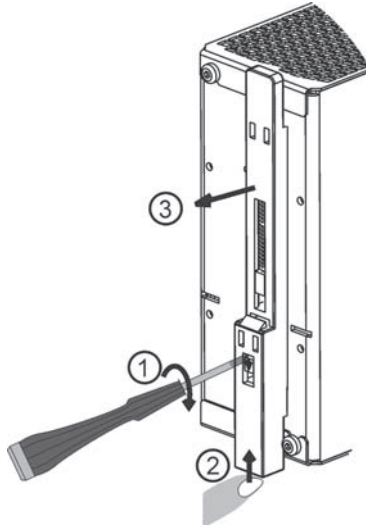
1. Detach the two aluminium brackets by removing the four screws with a Torx 10 screwdriver, as shown in Figure 4.

Figure 4. Removing the Aluminum Brackets



- Remove the plastic lock mechanism with a flathead screwdriver to move the lock downward while at the same time pushing the plastic slider upwards. Detach the plastic slider, as shown in Figure 5.

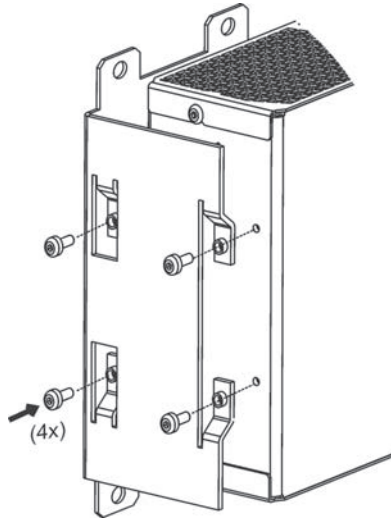
Figure 5. Removing the Plastic Slider



Caution Do not over-tighten the screws. The recommended tightening torque is 0.6 Nm/5.3 lb in.

3. Mount the steel brackets with the same screws from the DIN-Rail brackets as shown in Figure 6.

Figure 6. Mounting the Steel Brackets

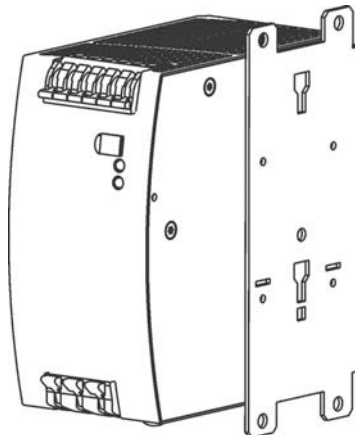


DIN-Rail Mounting

Complete the following steps to mount the brackets to a DIN-Rail.

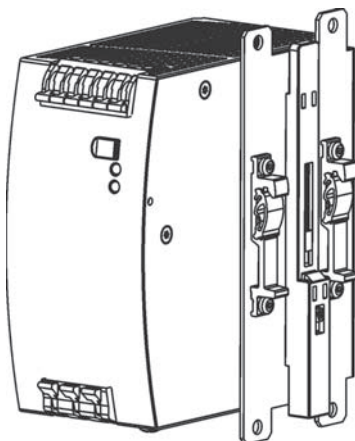
1. Install the mounting plate with the steps described in the [Sideways Panel Mounting](#) section. When those steps are completed, the mounting plate should be attached to the power supply as shown in Figure 7.

Figure 7. Installing the Mounting Brackets



2. Attach the two aluminum brackets and the plastic slider to the side mounting plate, as shown in Figure 8. The additional required screws are included in the shipping box.

Figure 8. Installing the Aluminum Brackets and Plastic Slider



Where to Go for Support

The National Instruments website is your complete resource for technical support. At ni.com/support you have access to everything from troubleshooting and application development self-help resources to email and phone assistance from NI Application Engineers.

Visit ni.com/services for NI Factory Installation Services, repairs, extended warranty, and other services.

Visit ni.com/register to register your National Instruments product. Product registration facilitates technical support and ensures that you receive important information updates from NI.

National Instruments corporate headquarters is located at 11500 North Mopac Expressway, Austin, Texas, 78759-3504. National Instruments also has offices located around the world. For telephone support in the United States, create your service request at ni.com/support or dial 512 795 8248. For telephone support outside the United States, visit the Worldwide Offices section of ni.com/niglobal to access the branch office websites, which provide up-to-date contact information, support phone numbers, email addresses, and current events.

Refer to the *NI Trademarks and Logo Guidelines* at ni.com/trademarks for more information on National Instruments trademarks. Other product and company names mentioned herein are trademarks or trade names of their respective companies. For patents covering National Instruments products/technology, refer to the appropriate location: **Help»Patents** in your software, the `patents.txt` file on your media, or the *National Instruments Patents Notice* at ni.com/patents. You can find information about end-user license agreements (EULAs) and third-party legal notices in the `readme` file for your NI product. Refer to the *Export Compliance Information* at ni.com/legal/export-compliance for the National Instruments global trade compliance policy and how to obtain relevant HTS codes, ECCNs, and other import/export data.

© 2009–2013 National Instruments. All rights reserved.