

## INSTALLATION GUIDE

# NI CB-37F Terminal Block for Desktop Users

This document describes how to remove the DIN rail mounting clips from the National Instruments CB-37F for desktop use.

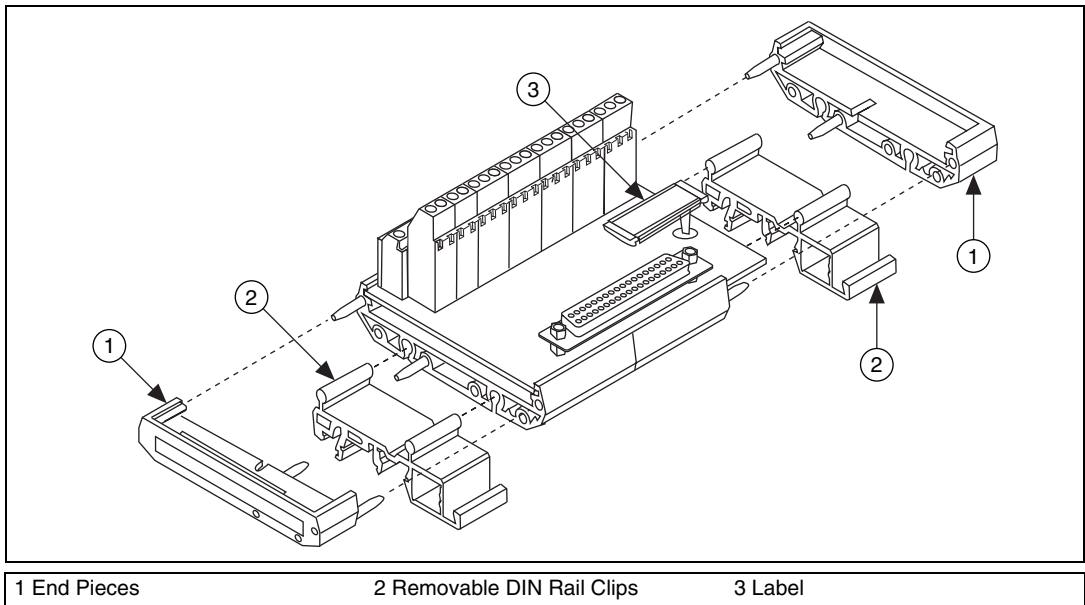


**Note** The CB-37F screw terminal can accept 24–12 AWG wire.

## Removing the Clips and Labeling the CB-37F

Refer to the following parts locator diagram while completing these steps:

1. Using a flathead screwdriver, remove the end pieces from the CB-37F.
2. Remove the DIN rail clips, and reattach the end pieces.
3. On the provided label, write the name of the device that connects to the CB-37F.



National Instruments™, NI™, and ni.com™ are trademarks of National Instruments Corporation. Product and company names mentioned herein are trademarks or trade names of their respective companies. For patents covering National Instruments products, refer to the appropriate location: **Help» Patents** in your software, the `patents.txt` file on your CD, or [ni.com/patents](http://ni.com/patents).

© 2004 National Instruments Corp. All rights reserved.



371354A-01

Sep04