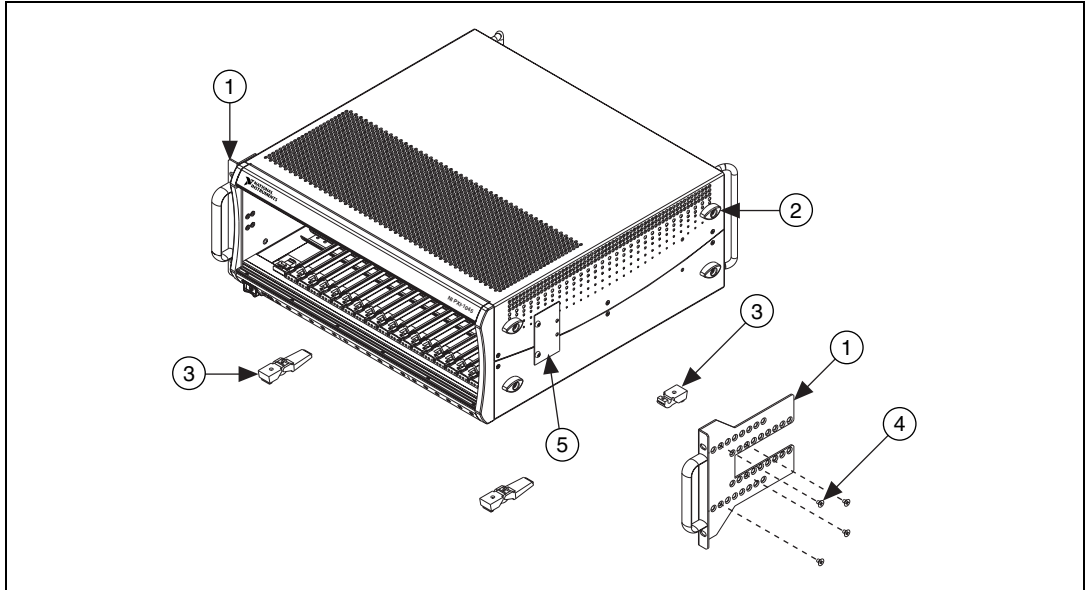


INSTALLATION GUIDE

NI PXI-1045 Front Rack Mount Kit

To mount the NI PXI-1045 in an instrument rack, complete the following steps.



1 Mounting Bracket
2 Side Feet
3 Bottom Feet

4 M4 x 8 Flathead Screw (Qty. 8)
5 COA Label Plate

Figure 1. NI PXI-1045 in Rack Mount Configuration

1. Remove the side feet, bottom feet, and COA label plate (as required) from the NI PXI-1045 chassis.
2. Install the mounting brackets onto each side of the chassis using the M4 x 8 flathead screws supplied. Notice that you can recess the chassis in the cabinet rack at .5 in. increments.
3. Install the chassis in the instrument rack using four screws (not supplied).

National Instruments™, NI™, and ni.com™ are trademarks of National Instruments Corporation. Product and company names mentioned herein are trademarks or trade names of their respective companies. For patents covering National Instruments products, refer to the appropriate location: **Help» Patents** in your software, the `patents.txt` file on your CD, or ni.com/patents.

© 2003 National Instruments Corp. All rights reserved.



323698A-01

Sep03