

**Getting Started with Your
GPIB-PCII/IIA and
the NI-488.2™ Software
for MS-DOS/Windows Graphics
Applications**

October 1994 Edition

Part Number 320269B-01

**© Copyright 1990, 1994 National Instruments Corporation.
All Rights Reserved.**

National Instruments Corporate Headquarters

6504 Bridge Point Parkway

Austin, TX 78730-5039

(512) 794-0100

Technical support fax: (800) 328-2203

(512) 794-5678

Branch Offices:

Australia (03) 879 9422, Austria (0662) 435986, Belgium 02/757.00.20,

Canada (Ontario) (519) 622-9310, Canada (Québec) (514) 694-8521,

Denmark 45 76 26 00, Finland (90) 527 2321, France (1) 48 14 24 24,

Germany 089/741 31 30, Italy 02/48301892, Japan (03) 3788-1921,

Mexico 95 800 010 0793, Netherlands 03480-33466, Norway 32-84 84 00,

Singapore 2265886, Spain (91) 640 0085, Sweden 08-730 49 70,

Switzerland 056/20 51 51, Taiwan 02 377 1200, U.K. 0635 523545

Limited Warranty

The GPIB-PCII/IIA is warranted against defects in materials and workmanship for a period of two years from the date of shipment, as evidenced by receipts or other documentation. National Instruments will, at its option, repair or replace equipment that proves to be defective during the warranty period. This warranty includes parts and labor.

The media on which you receive National Instruments software are warranted not to fail to execute programming instructions, due to defects in materials and workmanship, for a period of 90 days from date of shipment, as evidenced by receipts or other documentation. National Instruments will, at its option, repair or replace software media that do not execute programming instructions if National Instruments receives notice of such defects during the warranty period. National Instruments does not warrant that the operation of the software shall be uninterrupted or error free.

A Return Material Authorization (RMA) number must be obtained from the factory and clearly marked on the outside of the package before any equipment will be accepted for warranty work. National Instruments will pay the shipping costs of returning to the owner parts which are covered by warranty.

National Instruments believes that the information in this manual is accurate. The document has been carefully reviewed for technical accuracy. In the event that technical or typographical errors exist, National Instruments reserves the right to make changes to subsequent editions of this document without prior notice to holders of this edition. The reader should consult National Instruments if errors are suspected. In no event shall National Instruments be liable for any damages arising out of or related to this document or the information contained in it.

EXCEPT AS SPECIFIED HEREIN, NATIONAL INSTRUMENTS MAKES NO WARRANTIES, EXPRESS OR IMPLIED, AND SPECIFICALLY DISCLAIMS ANY WARRANTY OF MERCHANTABILITY OR FITNESS FOR A PARTICULAR PURPOSE. CUSTOMER'S RIGHT TO RECOVER DAMAGES CAUSED BY FAULT OR NEGLIGENCE ON THE PART OF NATIONAL INSTRUMENTS SHALL BE LIMITED TO THE AMOUNT THERETOFORE PAID BY THE CUSTOMER. NATIONAL INSTRUMENTS WILL NOT BE LIABLE FOR DAMAGES RESULTING FROM LOSS OF DATA, PROFITS, USE OF PRODUCTS, OR INCIDENTAL OR CONSEQUENTIAL DAMAGES, EVEN IF ADVISED OF THE POSSIBILITY THEREOF. This limitation of the liability of National Instruments will apply regardless of the form of action,

whether in contract or tort, including negligence. Any action against National Instrument must be brought within one year after the cause of action accrues. National Instruments shall not be liable for any delay in performance due to causes beyond its reasonable control. The warranty provided herein does not cover damages, defects, malfunctions, or service failures caused by owner's failure to follow the National Instruments installation, operation, or maintenance instructions; owner's modification of the product; owner's abuse, misuse, or negligent acts; and power failure or surges, fire, flood, accident, actions of third parties, or other events outside reasonable control.

Copyright

Under the copyright laws, this book may not be copied, photocopied, reproduced, or translated, in whole or in part, without the prior written consent of National Instruments Corporation.

Trademarks

NAT4882[®] and NI-488.2[™] are trademarks of National Instruments Corporation.

Product and company names listed are trademarks or trade names of their respective companies.

WARNING REGARDING MEDICAL AND CLINICAL USE OF NATIONAL INSTRUMENTS PRODUCTS

National Instruments products are not designed with components and testing intended to ensure a level of reliability suitable for use in treatment and diagnosis of humans. Applications of National Instruments products involving medical or clinical treatment can create a potential for accidental injury caused by product failure, or by errors on the part of the user or application designer. Any use or application of National Instruments products for or involving medical or clinical treatment must be performed by properly trained and qualified medical personnel, and all traditional medical safeguards, equipment, and procedures that are appropriate in the particular situation to prevent serious injury or death should always continue to be used when National Instruments products are being used. National Instruments products are NOT intended to be a substitute for any form of established process, procedure, or equipment used to monitor or safeguard human health and safety in medical or clinical treatment.

FCC/DOC Radio Frequency Interference Compliance

This equipment generates and uses radio frequency energy and, if not installed and used in strict accordance with the instructions in this manual, may cause interference to radio and television reception. This equipment has been tested and found to comply with the following two regulatory agencies:

Federal Communications Commission

This device complies with Part 15 of the Federal Communications Commission (FCC) Rules for a Class B digital device. A Class B device is distinguishable from a Class A device by the appearance of an FCC ID number located on the Class B device.

Canadian Department of Communications

This device complies with the limits for radio noise emissions from digital apparatus set out in the Radio Interference Regulations of the Canadian Department of Communications (DOC).

Le présent appareil numérique n'émet pas de bruits radioélectriques dépassant les limites applicables aux appareils numériques de classe B prescrites dans le règlement sur le brouillage radioélectrique édicté par le ministère des communications du Canada.

Instructions to Users

These regulations are designed to provide reasonable protection against interference from the equipment to radio and television reception in residential areas.

There is no guarantee that interference will not occur in a particular installation. However, the chances of interference are much less if the equipment is installed and used according to this instruction manual.

If the equipment does cause interference to radio or television reception, which can be determined by turning the equipment on and off, one or more of the following suggestions may reduce or eliminate the problem.

- Operate the equipment and the receiver on different branches of your AC electrical system.
- Move the equipment away from the receiver with which it is interfering.
- Reorient or relocate the receiver's antenna.
- Be sure that the equipment is plugged into a grounded outlet and that the grounding has not been defeated with a cheater plug.

Notice to user: Changes or modifications not expressly approved by National Instruments could void the user's authority to operate the equipment under the FCC Rules.

If necessary, consult National Instruments or an experienced radio/television technician for additional suggestions. The following booklet prepared by the FCC may also be helpful: *How to Identify and Resolve Radio-TV Interference Problems*. This booklet is available from the U.S. Government Printing Office, Washington, DC 20402, Stock Number 004-000-00345-4.

Contents

| | |
|---------------------------------------|------|
| About This Manual | xiii |
| Organization of This Manual | xiii |
| Conventions Used in This Manual | xiv |
| Related Documentation | xv |
| Customer Communication | xv |

Chapter 1

| | |
|---|-----|
| Introduction and Hardware Installation | 1-1 |
| What You Need to Get Started | 1-1 |
| Optional Equipment | 1-2 |
| Hardware Description | 1-2 |
| Software Description | 1-3 |
| Installing the GPIB-PCII/IIA | 1-3 |

Chapter 2

| | |
|--|-----|
| NI-488.2 Software Files | 2-1 |
| NI-488.2 Software Programs and Files for MS-DOS | 2-1 |
| NI-488.2 Software Programs and Files for Windows | 2-2 |

Chapter 3

| | |
|--|-----|
| Software Installation | 3-1 |
| Installing the NI-488.2 Software for MS-DOS | 3-1 |
| Step 1. Run INSTALL | 3-1 |
| Step 2. Test the Software Installation | 3-2 |
| Installing the NI-488.2 Software for Windows | 3-3 |
| Step 1. Run INSTALL | 3-3 |
| Step 2. Set Up the Windows Applications | 3-4 |
| Step 3. Test the Software Installation | 3-5 |

Appendix A

| | |
|--------------------------------------|-----|
| Hardware Specifications | A-1 |
|--------------------------------------|-----|

Appendix B

| | |
|--|-----|
| Changing Board and Device Characteristics | B-1 |
| Board and Device Characteristics | B-1 |
| Characteristics of the Graphics Devices | B-1 |
| Characteristics of Each GPIB-PCII/IIA | B-2 |

Contents

| | |
|--|-----|
| Default Configurations | B-2 |
| Primary Default Characteristics | B-3 |
| Repeat Addressing (Device Characteristic Only) | B-4 |
| Changing Board and Device Characteristics | B-4 |
| Changing Characteristics for MS-DOS | B-4 |
| Running IBCONF | B-4 |
| Changing Characteristics for Windows | B-5 |
| Running WIBCONF | B-5 |

Appendix C

| | |
|---|------|
| Hardware and Software Configuration | C-1 |
| Verifying the GPIC-PC Mode Setting | C-2 |
| Verifying the Hardware Configuration Settings | C-3 |
| Changing Hardware Configuration Settings | C-4 |
| Step 1. Configure the Hardware | C-4 |
| Base I/O Address Selection | C-4 |
| GPIC-PCII Mode | C-5 |
| GPIC-PCIIA Mode | C-7 |
| Possible Conflicts | C-9 |
| Interrupt Selection | C-11 |
| Shared Interrupts in GPIC-PCIIA | |
| Mode | C-12 |
| Possible Conflicts | C-16 |
| DMA Channel Selection | C-17 |
| Possible Conflicts | C-19 |
| Shield Ground Configuration | C-19 |
| Step 2. Run the IBDIAG Diagnostic Program | C-20 |
| Step 3. Configure the Software | C-20 |
| Configuring the Software for MS-DOS | C-21 |
| Configuring the Software for Windows | C-22 |

Appendix D

| | |
|--|-----|
| Interactive Software Installation | D-1 |
| INSTALL for MS-DOS | D-1 |
| Installing the Software for MS-DOS | D-2 |
| Running IBDIAG for MS-DOS | D-3 |
| Exiting INSTALL | D-3 |
| INSTALL for Windows | D-4 |
| Installing the Software for Windows | D-4 |
| Running IBDIAG for Windows | D-5 |
| Exiting INSTALL | D-5 |

Appendix E
Customer CommunicationE-1

Glossary..... G-1

Figures

Figure 1-1. Installing the GPIB-PCII/IIA..... 1-4

Figure C-1. GPIC-PCII/IIA Parts Locator Diagram C-1

Figure C-2. GPIC-PC Mode Selection SettingsC-2

Figure C-3. Base I/O Address Switch Settings for GPIC-PCII ModeC-6

Figure C-4. Base I/O Address Switch Settings for GPIC-PCIIA ModeC-7

Figure C-5. Default Interrupt Jumper Setting for GPIC-PCII Mode ..C-12

Figure C-6. Default Interrupt Jumper Setting for GPIC-PCIIA ModeC-13

Figure C-7. Interrupt Jumper Settings for GPIC-PCIIA Mode..... C-14

Figure C-8. DMA Channel Jumper Setting for DMA Channel 1 C-18

Figure C-9. Ground Configuration Jumper Settings C-20

Tables

Table A-1. Electrical Characteristics A-1

Table A-2. Environmental Characteristics..... A-1

Table A-3. Physical Characteristics A-2

Table C-1. Factory Default Settings and Available Configurations for GPIC-PCII Mode C-3

Table C-2. Factory Default Settings and Available Configurations for GPIC-PCIIA Mode..... C-3

Table C-3. I/O Addresses Used by Other Devices..... C-10

Table C-4. Interrupt Levels Used by Other Devices C-16

Table C-5. DMA Channels for the GPIC-PCII/IIA C-18

About This Manual

This manual contains instructions for installing and configuring the National Instruments GPIB-PCII/IIA interface board and the NI-488.2 software handler for MS-DOS/Windows graphics applications.

Organization of This Manual

This manual is organized as follows:

- Chapter 1, *Introduction and Hardware Installation*, lists what you need to get started and optional equipment you can order, gives a brief description of the hardware and the NI-488.2 software, and contains instructions for installing your GPIB-PCII/IIA.
- Chapter 2, *NI-488.2 Software Files*, describes the software files contained on your NI-488.2 distribution diskette.
- Chapter 3, *Software Installation*, contains instructions for installing the NI-488.2 software files.
- Appendix A, *Hardware Specifications*, describes the electrical, environmental, and physical characteristics of the GPIB-PCII/IIA and the recommended operating conditions.
- Appendix B, *Changing Board and Device Characteristics*, contains instructions for changing the default board and device characteristics of the NI-488.2 handler for MS-DOS/Windows.
- Appendix C, *Hardware and Software Configuration*, contains instructions for changing the configuration settings of your GPIB-PCII/IIA.
- Appendix D, *Interactive Software Installation*, contains instructions for running the interactive version of `INSTALL`.
- Appendix E, *Customer Communication*, contains forms you can use to request help from National Instruments or to comment on our products and manuals.

About This Manual

- The *Glossary* contains an alphabetical list and description of terms used in this manual, including abbreviations, acronyms, metric prefixes, mnemonics, and symbols.

Conventions Used in This Manual

Throughout this manual, the following conventions are used to distinguish elements of text:

| | |
|---------------------------|---|
| bold | Bold text denotes menus, menu items, dialog buttons, or options. |
| <i>italic</i> | Italic text denotes emphasis, a cross reference, or an introduction to a key concept. |
| <i>bold italic</i> | Bold italic text denotes a note, caution, or warning. |
| monospace | Text in this font denotes text or characters that are to be literally input from the keyboard, sections of code, programming examples, and syntax examples. This font is also used for the proper names of disk drives, paths, directories, programs, subprograms, subroutines, device names, functions, variables, filenames, and extensions, and for statements and comments taken from program code. |
| <i>italic monospace</i> | Italic text in this font denotes that you must supply the appropriate words or values in the place of these items. |
| <> | Angle brackets enclose the name of a key on the keyboard—for example, <Ctrl>. |
| - | A hyphen between two or more key names enclosed in angle brackets denotes that you should simultaneously press the named keys—for example, <Ctrl-Alt-Del>. |
| <Shift> | Key names are capitalized. |

| | |
|-------------------------|--|
| Enter | <i>Enter</i> is reserved to mean that the commands immediately succeeding the word must be typed into the computer, and then executed by pressing the <Enter> key on the keyboard. |
| IEEE 488 and IEEE 488.2 | IEEE 488 and IEEE 488.2 refer to the ANSI/IEEE Standard 488.1-1987 and the ANSI/IEEE Standard 488.2-1987, respectively, which define the GPIB. |

Abbreviations, acronyms, metric prefixes, mnemonics, symbols, and terms are listed in the *Glossary*.

Related Documentation

The following documents contain information that you may find helpful as you read this manual.

- ANSI/IEEE Standard 488.1-1987, *IEEE Standard Digital Interface for Programmable Instrumentation*
- ANSI/IEEE Standard 488.2-1987, *IEEE Standard Codes, Formats, Protocols, and Common Commands*
- *Microsoft MS-DOS User's Guide*, Microsoft Corporation
- *Microsoft Windows User's Guide*, Microsoft Corporation

Customer Communication

National Instruments wants to receive your comments on our products and manuals. We are interested in the applications you develop with our products, and we want to help if you have problems with them. To make it easy for you to contact us, this manual contains comment and configuration forms for you to complete. These forms are in Appendix E, *Customer Communication*, at the end of this manual.

Chapter 1

Introduction and Hardware Installation

This chapter lists what you need to get started and optional equipment you can order, gives a brief description of the hardware and the NI-488.2 software, and contains instructions for installing your GPIB-PCII/IIA.

What You Need to Get Started

- GPIB-PCII/IIA interface board set for one of the following modes:
GPIB-PCIIA
or
GPIB-PCII
- 3.5 in. *NI-488.2 Distribution Diskette for Graphics Applications MS-DOS/Windows*
- One of the following operating systems installed on your computer:
MS-DOS version 3.0 or higher (or equivalent)
or
Windows version 3.1 or higher

Optional Equipment

You can contact National Instruments to order any of the following optional equipment.

- GPIB Bus Extenders
 - Parallel – 100 to 120 VAC
 - Parallel – 220 to 240 VAC
 - Fiber-optic – 100 to 120 VAC
 - Fiber-optic – 220 to 240 VAC
 - Coaxial – 100 to 120 VAC
 - Coaxial – 220 to 240 VAC
- GPIB Connector Extender
- GPIB-SWITCH Box
- Shielded GPIB Cables*
 - Type X1 single-shielded cables (1 m, 2 m, or 4 m)
 - Type X2 double-shielded cables (1 m, 2 m, or 4 m)

* To meet FCC emission limits for this Class B device, you must use a shielded (Type X1 or X2) GPIB cable. Operating this equipment with a non-shielded cable may cause interference to radio and television reception in residential areas.

Hardware Description

The GPIB-PCII/IIA interface board combines the functionality of the National Instruments GPIB-PCII and GPIB-PCIIA interface boards. It can be configured to function as either a GPIB-PCII or a GPIB-PCIIA, depending on the setting of the configuration switches on the board. To verify the GPIB-PC mode setting of your board, refer to *Verifying the GPIB-PC Mode Setting* in Appendix C, *Hardware and Software Configuration*, later in this manual.

The GPIB-PCII/IIA, equipped with the NAT4882 ASIC, transforms any IBM PC, PC/XT, PC AT, or compatible computer into a full-functioning IEEE 488.2 Talker/Listener/Controller. The NAT4882 controller chip is fully compatible with the IEEE 488.2 standard.

You can use standard GPIB cables to connect the GPIB-PCII/IIA with up to 14 instruments. If you want to use more instruments, you can order a bus extender or expander from National Instruments. Refer to Appendix A, *Hardware Specifications*, for more information about the GPIB-PCII/IIA hardware specifications and recommended operating conditions.

Software Description

Your kit includes NI-488.2 software, which National Instruments has developed for use with the GPIB-PCII/IIA. The NI-488.2 software and the GPIB hardware transform a general-purpose PC into a GPIB Talker/Listener/Controller that has complete communications and bus management capability. Your kit includes the NI-488.2 software for MS-DOS and for Windows.

Installing the GPIB-PCII/IIA

Warning: *Several components on your GPIB-PCII/IIA board can be damaged by electrostatic discharge. To avoid such damage in handling the board, touch the antistatic plastic package to a metal part of your computer chassis before removing the board from the package.*

Perform the following steps to install the GPIB-PCII/IIA:

1. Turn off your computer and all external devices, such as monitors or tape drives.
2. Unplug the power cord from the wall outlet.
3. Remove the top cover or access port of the I/O channel.
4. Remove the expansion slot cover on the back panel of the computer.
5. Insert the GPIB-PCII/IIA into any unused slot with the GPIB connector sticking out of the opening on the back panel, as shown in Figure 1-1. It might be a tight fit, but do not force the board into place.

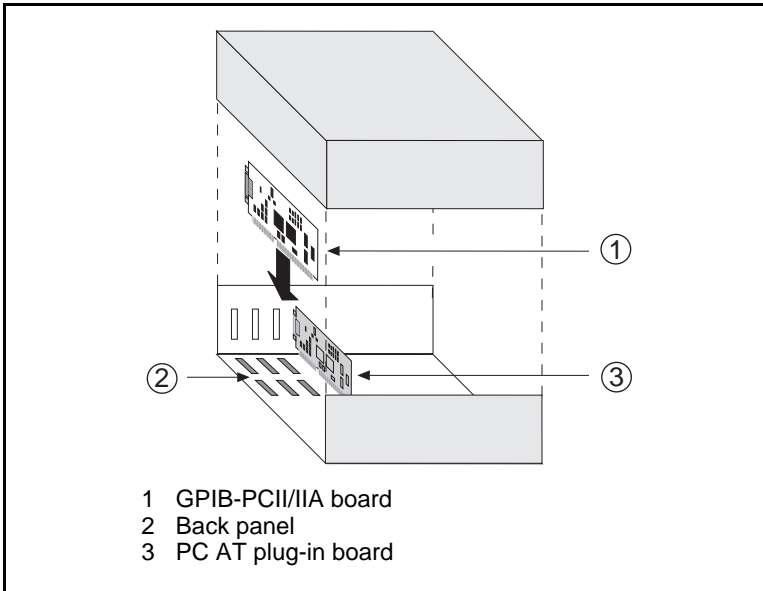


Figure 1-1. Installing the GPIB-PCII/IIA

6. Screw the mounting bracket of the GPIB-PCII/IIA to the back panel rail of the computer.
7. Verify that the GPIB-PCII/IIA is securely installed.
8. Replace the retaining screw of the expansion slot cover if there is one.
9. Replace the cover on the computer.
10. Plug the power cord into the wall outlet.
11. Turn on your computer and external devices.

The GPIB-PCII/IIA interface board is now installed.

Note: *Do not attach the GPIB cable to the extension receptacle on the board until after you run the hardware and software diagnostic programs, IBDIAG and IBTEST, which are explained in Chapter 3, Software Installation. These programs may not function properly if the GPIB cable is attached.*

Chapter 2

NI-488.2 Software Files

This chapter describes the software files contained on your NI-488.2 distribution diskette.

If you are using the NI-488.2 software for Windows, skip to *NI-488.2 Software Programs and Files for Windows*, later in this chapter. If you are using the NI-488.2 software for MS-DOS, proceed with the next section, *NI-488.2 Software Programs and Files for MS-DOS*.

NI-488.2 Software Programs and Files for MS-DOS

The NI-488.2 software for MS-DOS contains the following programs and files.

- GPIB.COM is the NI-488.2 software handler file that is loaded at system startup by DOS. *Handler* is a term used by National Instruments to refer to a loadable device driver.
- IBDIAG.EXE is a program that tests the hardware installation. After the handler is installed, IBTEST.BAT confirms that both the software and hardware are installed and functioning properly.
- INSTALL.EXE is a multipurpose, menu-driven program that installs the NI-488.2 software and tests the hardware and software configuration. When INSTALL.EXE installs the NI-488.2 software, it updates CONFIG.SYS, the MS-DOS system configuration file.
- IBTEST.EXE is a program that tests the installation of the NI-488.2 software.
- IBCONF.EXE is a software configuration program that changes the configuration parameters of the NI-488.2 software handler.

- IBIC . EXE is an interactive control program that executes GPIB functions you enter from the keyboard. It helps you establish communication between your computer and your graphics device.
- README . DOC is a Readme file that discusses the NI-488.2 handler.

After you have reviewed all the programs and files on your distribution diskette, skip to Chapter 3, *Software Installation*.

NI-488.2 Software Programs and Files for Windows

The NI-488.2 software for Windows contains the following programs and files.

- GPIB . DLL is a dynamic link library that is accessed by a Windows GPIB application as it executes. It contains all of the GPIB functions.
- GPIB . INI is the private profile file that GPIB . DLL uses to determine the software configuration parameters for each GPIB board and device in the system. You can modify it by using either the WIBCONF . EXE program or a text editor.
- WIBCONF . EXE, an MS-DOS application, is a software configuration program that you can use to change the software parameters and other data used by the handler. It operates in much the same way as the GPIB MS-DOS configuration program, IBCONF.
- WIBCONF . PIF contains configuration information about the program WIBCONF . EXE that is used by Windows when it is executed.
- IBDIAG . EXE, a DOS application, is a program that tests the hardware settings on your GPIB board. It ensures that the board is properly installed and that the hardware is accessible.
- IBDIAG . PIF contains configuration information about the program IBDIAG . EXE that is used by Windows when it is executed.

- `WIBTEST.EXE`, a Windows application, can be used to test the software handler. It verifies that the software configuration is consistent with the GPIB hardware.
- `WIBIC.EXE`, a Windows application, is the Windows Interface Bus Interactive Control program that executes GPIB functions that you enter from the keyboard. It can be used to establish communication between your computer and your graphics device.

After you have reviewed all the programs and files on your distribution diskette, proceed to Chapter 3, *Software Installation*.

Chapter 3

Software Installation

This chapter contains instructions for installing the NI-488.2 software files.

If you are using the NI-488.2 software for Windows, skip to the *Installing the NI-488.2 Software for Windows* section later in this chapter. If you are using the NI-488.2 software for MS-DOS, proceed with the following section, *Installing the NI-488.2 Software for MS-DOS*.

Installing the NI-488.2 Software for MS-DOS

Follow these steps to install the NI-488.2 software for MS-DOS applications.

Note: *You must have approximately 300 kilobytes of free disk space to install the NI-488.2 software files.*

Step 1. Run INSTALL

The quick version of the INSTALL program creates a directory, C:\GPIB-PC, and copies the NI-488.2 software files to that directory.

Note: *If you want to change the default file names and installation settings of the INSTALL program, refer to Appendix C, Interactive Software Installation, for information on running the interactive version of INSTALL.*

Complete the following steps to run the quick version of INSTALL.

1. Insert the NI-488.2 distribution diskette into an unused drive.
2. Install the software by entering the following command:

```
x: install/q
```

where *x* is the letter of the drive containing the distribution diskette.

INSTALL copies the NI-488.2 software files to the directory C:\GPIB-PC. It also modifies the C:\CONFIG.SYS file to include the following line:

```
device = \gpib-pc\gpib.com
```

INSTALL then runs the GPIB-PCII/IIA hardware diagnostic program, IBDIAG. IBDIAG confirms that the hardware is functioning properly, and verifies that the software configuration settings are set correctly.

If IBDIAG returns an error message, check the GPIB-PCII/IIA to ensure that it is not connected to a GPIB cable. IBDIAG may not function properly if a cable is connected to the GPIB-PCII/IIA.

If IBDIAG still returns an error message, you may need to check the hardware configuration switch and jumper settings. Refer to *Verifying the Hardware Configuration Settings* in Appendix C, *Hardware and Software Configuration*, for information on checking and changing the GPIB-PCII/IIA hardware configuration settings.

3. Restart your computer.

Step 2. Test the Software Installation

The file IBTEST.EXE on your NI-488.2 distribution diskette is a program that tests the installation of the software. Run IBTEST from the GPIB-PCII/IIA directory created by INSTALL by entering the following commands:

```
cd \gpib-pc  
ibtest
```

If IBTEST returns an error message, check the following:

- If you changed any of the hardware configuration settings on the GPIB-PCII/IIA interface board, check the current software configurations of the GPIB-PCII/IIA in IBCONF to make sure that they match the hardware settings. If you make changes in IBCONF, be sure to save them. Refer to *Step 3. Configure the Software* in Appendix C, *Hardware and Software Configuration*, for information on changing the software configuration.

- Confirm that the following line appears in your CONFIG.SYS file:

```
device = \gpib-pc\gpib.com
```

Is the file GPIB.COM located in the GPIB-PC directory? If it is not, run INSTALL again and include it.

- Check the GPIB-PCII/IIA to ensure that it is not connected to a GPIB cable. IBTEST may not function properly if a cable is connected to the GPIB-PCII/IIA.

After you complete this checklist, run IBTEST again. If IBTEST still fails, complete the *GPIB-PCII/IIA Hardware and Software Configuration Form* in Appendix E, *Customer Communication*, and contact National Instruments for technical support.

If no errors occur, the NI-488.2 handler for MS-DOS is installed correctly and you are ready to start using your GPIB-PCII/IIA with your graphics application program.

If your graphics application program instructs you to change the default settings of the software handler, refer to Appendix B, *Changing Board and Device Characteristics*, for more information on how to run IBCONF and on the configurable software parameters and their default values.

Installing the NI-488.2 Software for Windows

Complete the following steps to install the NI-488.2 software for Windows.

Note: *You must have approximately 300 kilobytes of free disk space to install the NI-488.2 software files.*

Step 1. Run INSTALL

The quick version of the INSTALL program assumes that Windows is installed in the default directory (C:\WINDOWS). It copies the NI-488.2 files for Windows to C:\WINDOWS and the GPIB destination directory, GPIB-PCW.

Note: *If you want to change the default file names and installation settings of the INSTALL program, refer to Appendix C, Interactive Software Installation, for information on running the interactive version of INSTALL.*

Complete the following steps to run the quick version of INSTALL.

1. Insert the NI-488.2 distribution diskette into an unused drive.
2. Install the software by entering the following command:

```
x: install/qw
```

where *x* is the letter of the drive containing the distribution diskette (this letter is usually A or B).

INSTALL copies the NI-488.2 software files to the directory C:\GPIB-PCW and automatically runs the GPIB-PCII/IIA hardware diagnostic program, IBDIAG. IBDIAG confirms that the hardware is functioning properly, and verifies that the software configuration settings are set correctly.

If IBDIAG returns an error message, check the GPIB-PCII/IIA to ensure that it is not connected to a GPIB cable. IBDIAG may not function properly if a cable is connected to the GPIB-PCII/IIA.

If IBDIAG still returns an error message, you may need to check the hardware configuration switch and jumper settings. Refer to *Verifying the Hardware Configuration Settings* in Appendix C, *Hardware and Software Configuration*, for information on the GPIB-PCII/IIA hardware configuration settings.

3. Restart your computer.

Step 2. Set Up the Windows Applications

To set up the NI-488.2 Windows applications, complete the following steps:

1. Run **Windows Setup** in the **Main** window.
2. Select **Set Up Applications** from the **Options** pull-down menu.

3. Add WIBIC and WIBTEST to the **Windows Applications** window.

If necessary, refer to the *Microsoft Windows User's Manual* for a more detailed description of the **Windows Setup** procedure.

Step 3. Test the Software Installation

The file WIBTEST . EXE is a Windows application that tests the installation of the software.

Run WIBTEST by selecting the WIBTEST icon in the Windows Applications window. WIBTEST requires no interaction with the user and takes about 10 seconds to complete.

If WIBTEST returns an error message, check the following:

- If you changed any of the hardware configuration settings on the GPIB-PCII/IIA interface board, check the current software configurations of the GPIB-PCII/IIA board in WIBCONF to make sure that they match the hardware settings. If you make changes in WIBCONF, be sure to save them. Refer to *Step 3. Configure the Software* in Appendix C, *Hardware and Software Configuration*, for information on changing the software configuration.
- Check the GPIB-PCII/IIA interface board to ensure that it is not connected to a GPIB cable. WIBTEST may not function properly if a cable is connected to the GPIB-PCII/IIA.

After you complete this checklist, run WIBTEST again. If WIBTEST still fails, complete the *GPIB-PCII/IIA Hardware and Software Configuration Form* in Appendix E, *Customer Communication*, and contact National Instruments for technical support.

If no errors occur, the NI-488.2 handler for Windows is installed correctly and you are ready to start using your GPIB-PCII/IIA with your graphics application program.

If your graphics application program instructs you to change the default settings of the software handler, refer to Appendix B, *Changing Board and Device Characteristics*, for more information on how to run the configuration program and on the configurable software parameters and their default values.

Appendix A

Hardware Specifications

This appendix describes the electrical, environmental, and physical characteristics of the GPIB-PCII/IIA and the recommended operating conditions.

Table A-1. Electrical Characteristics

| Characteristic | Specification |
|---|---|
| Maximum GPIB Transfer Rates GPIB Reads GPIB Writes | 400 kbytes/s* 400 kbytes/s* |
| Power Requirement (from PC/XT/AT I/O channel) | +5 VDC 250 mA Typical 490 mA Maximum |
| * Actual rates are dependent on instrument capabilities and system configuration. | |

Table A-2. Environmental Characteristics

| Characteristic | Specification |
|---|---|
| Operating Environment Component Temperature Relative Humidity | 0° to 40° C 10% to 90%, noncondensing |
| Storage Environment Temperature Relative Humidity | -20° to 70° C 5% to 90%, noncondensing |
| EMI | FCC Class B Certified |

Table A-3. Physical Characteristics

| Characteristic | Specification |
|-----------------------|---|
| Dimensions | 10.67 cm by 11.05 cm (4.2 in. by 4.35 in.) |
| I/O Connector | IEEE 488 Standard 24-pin |

Appendix B

Changing Board and Device Characteristics

This appendix contains instructions for changing the default board and device characteristics of the NI-488.2 handler for MS-DOS/Windows.

Note: *Most graphics application software is written to use the default configuration of the NI-488.2 handler. Do not change the default parameters of the NI-488.2 handler unless your graphics application manual instructs you to do so.*

Board and Device Characteristics

Two groups of features can be changed in the handler file or configuration file. The first group consists of the characteristics of the devices attached to your GPIB-PCII/IIA. The second group consists of the characteristics of each GPIB-PCII/IIA installed in the computer. The following sections describe the characteristics of each group.

Characteristics of the Graphics Devices

Each device used with the GPIB-PCII/IIA has the following characteristics:

- A symbolic name of each device on the GPIB (such as DEV5 or SCANNER).
- A primary and, if used, a secondary address for each device.
- A time limit imposed when executing certain functions. This time limit ensures that transfers do not hang up the GPIB indefinitely.
- A way to terminate I/O transmissions to and from the device. Some devices require or append an end of string (EOS) character, such as the ASCII line feed character, to data strings. Others use the GPIB END message, which is sent or received via the EOI signal line. Still others use both. Some terminate I/O only when a predetermined number of bytes are sent or received.

Characteristics of Each GPIB-PCII/IIA

Each GPIB-PCII/IIA board has the following characteristics:

- A symbolic name (either GPIB0 or GPIB1).
- A GPIB primary or secondary address.
- A computer I/O address.
- A GPIB-PC mode (either PCII or PCIIA).
- The capability to be designated as the System Controller of the devices on its bus.
- A time limit imposed when executing certain functions.
- A way to terminate I/O transmissions to and from the board when executing board calls—for example, by an EOS character, an END message, and/or a byte count.
- An interrupt line that the board uses, if any.
- A DMA channel that the board uses, if any.
- High-speed, highest-speed, or normal timing when transmitting data to a device. With normal timing, there is a delay of at least 2 μ s after the data is placed on the GPIB before the Data Valid (DAV) line is asserted. With high-speed timing, this delay is decreased to about 500 ns, and with highest-speed timing, it is decreased to about 350 ns. The default setting of 2 μ s is recommended, as some devices cannot communicate at higher speeds.

Default Configurations

The default configurations of the software were set at the factory. For example, the default device names of the 32 GPIB devices are DEV1 through DEV32, but your application manual may instruct you to assign a more descriptive name to a particular device, such as SCANNER.

Note: *Do not give a GPIB device the same name as a directory or file on your disk drive.*

You can also use the configuration programs, IBCONF or WIBCONF, to examine the current default settings in the handler file.

If you do not make changes to the configuration, the default characteristics of the software remain in effect.

Primary Default Characteristics

The following are the primary default characteristics of the handler:

- The GPIB-PC mode is assumed to be the default setting. See Appendix C, *Hardware and Software Configuration*, for more information on the GPIB-PC mode.
- There are 32 active devices with symbolic names DEV1 through DEV32.
- GPIB addresses of these devices are the same as the device number. For example, DEV1 is at address 1.
- The first 16 devices are assigned to GPIB0 as their access board, and the second 16 devices are assigned to GPIB1 as their access board. GPIB0 is the symbolic name of the first GPIB-PCII/IIA board in your system. If you have an additional GPIB-PCII/IIA board in your system, its symbolic name is GPIB1.
- Each GPIB-PCII/IIA is System Controller of its independent bus and has a GPIB address of 0.
- The END message is sent with the last byte of each data message to a device. Each data message that is read from a device automatically terminates when END is received. No EOS character is recognized.
- The time limit on I/O and wait function calls is approximately 10 seconds.
- GPIB0 is a GPIB-PCII board at base I/O address 02B8 hex using DMA channel 1 and no interrupt line, or GPIB0 is a GPIB-PCIIA board at base I/O address 02E1 hex using DMA channel 1 and no interrupt line.

Repeat Addressing (Device Characteristic Only)

Normally, the GPIB address of a device is issued before each device function pertaining to that device. If you enter `yes` for the Repeat Addressing field, this addressing occurs even if the device is already properly addressed. The default option for this characteristic is `no`.

Changing Board and Device Characteristics

If you are using the NI-488.2 software for Windows, skip to *Changing Characteristics for Windows* later in this appendix. If you are using the NI-488.2 software for MS-DOS, proceed to the following section, *Changing Characteristics for MS-DOS*.

Changing Characteristics for MS-DOS

Use the software configuration program, `IBCONF`, to change the board and device characteristics.

Running `IBCONF`

Complete the following instructions to change a board or device characteristic using `IBCONF`.

Note: *Never run `IBCONF` from the distribution diskette without write-protecting the diskette, as doing so will modify the master copy.*

1. Run `IBCONF` by entering the following commands:

```
cd \gpib-pc
ibconf
```

2. Press any key to display the configuration map.
3. When the configuration map appears, make sure that the board or device is highlighted and press `<F8>`.
4. Using the arrow keys, move the highlight to the characteristic you want to change.

5. Use the arrow keys to change the value of the characteristic.
6. Press <F9> to stop editing.
7. Press <F9> once again to quit IBCONF.
8. IBCONF displays a prompt asking if you want to save your changes. Enter *y* for yes.
9. IBCONF displays a prompt asking if you want to update the handler in memory. Enter *y* for yes. In some cases, IBCONF instructs you to restart your computer.

Changes to other configurable parameters can be made in the same manner.

Changing Characteristics for Windows

Use the software configuration program, WIBCONF, to change the board and device characteristics.

Running WIBCONF

Complete the following instructions to change a board or device characteristic using WIBCONF. WIBCONF edits the file GPIB.INI.

Note: *Never run WIBCONF from the distribution diskette without write-protecting the diskette, as doing so will modify the master copy.*

1. Select the WIBCONF icon by double-clicking on it.
2. WIBCONF displays a prompt asking for parameters. If you used the quick version of INSTALL, press <Enter>.

If you used the interactive version of INSTALL and did not install the software in the default directory, C:\WINDOWS, enter the name of your Windows directory and the path to GPIB.INI—for example,
E:\WINDOWS\GPIB.INI.

3. Press any key to display the configuration map.

4. When the configuration map appears, make sure that the board or device is highlighted and press <F8>.
5. Using the arrow keys, move the highlight to the characteristic you want to change.
6. Use the arrow keys to change the value of the characteristic.
7. Press <F9> to stop editing.
8. Press <F9> once again to quit WIBCONF.
9. WIBCONF displays a prompt asking if you want to save your changes. Enter y for yes.

Changes to other configurable parameters can be made in the same manner.

Appendix C

Hardware and Software Configuration

This appendix contains instructions for verifying and changing the configuration settings of your GPIB-PCII/IIA.

Figure C-1 shows the location of the GPIB-PCII/IIA configuration jumpers and switches when the board is in PCIIA mode.

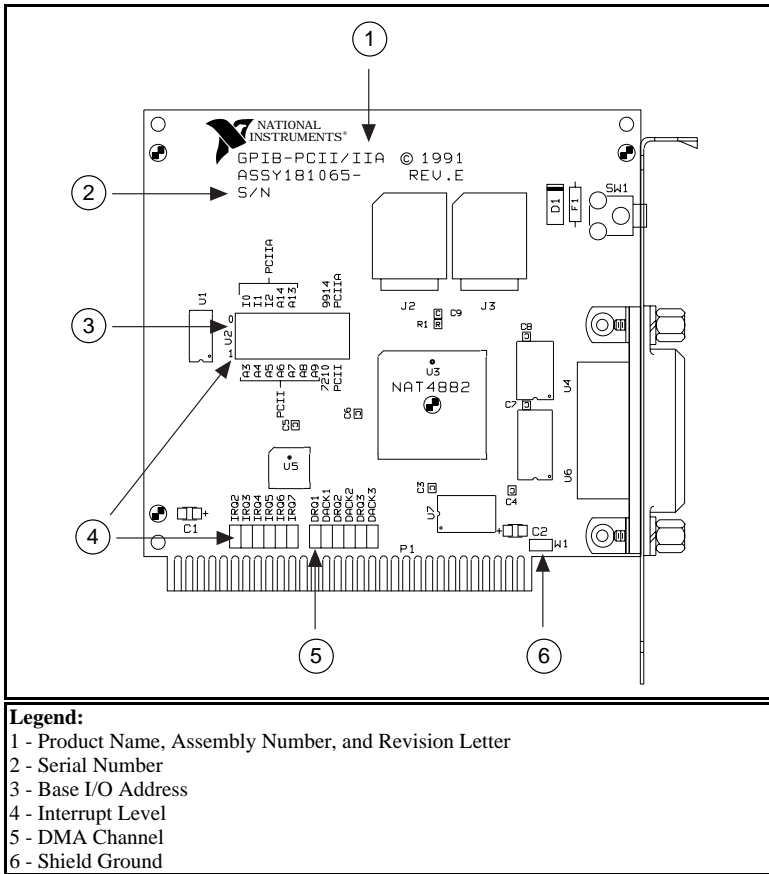


Figure C-1. GPIB-PCII/IIA Parts Locator Diagram

Verifying the GPIB-PC Mode Setting

The GPIB-PC mode of the GPIB-PCII/IIA is set using switch 9 in switch block U2. Check to ensure that this switch is set to the mode indicated on the identifying label on the mounting bracket of the interface board, beside the GPIB connector.

Figure C-2 shows the GPIB-PC mode selection switch set for GPIB-PCII mode and GPIB-PCIIA mode.

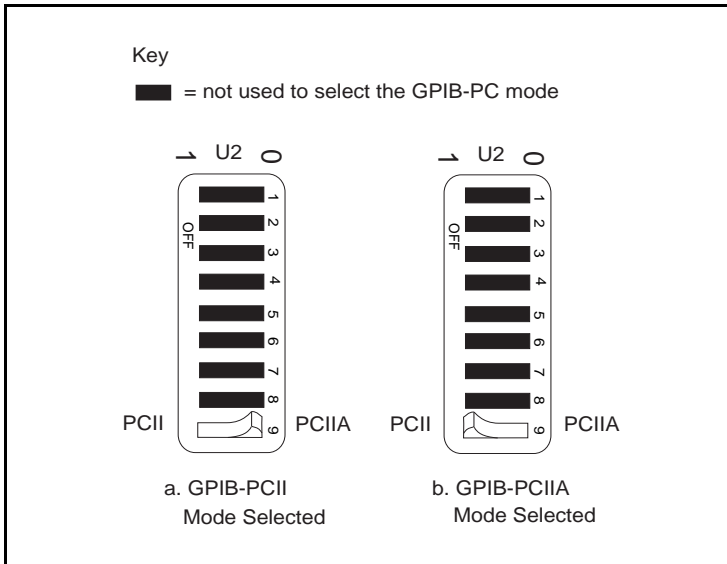


Figure C-2. GPIB-PC Mode Selection Settings

If this switch is not set to the mode indicated on the identifying label, set the switch to the appropriate mode. To select GPIB-PCII mode, push the switch down on the side labeled PCII. To select GPIB-PCIIA mode, push the switch down on the side labeled PCIIA.

Verifying the Hardware Configuration Settings

If IBDIAG returns an error message and no cables are connected to the GPIB-PCII/IIA, complete the instructions in this section to verify the hardware configuration settings.

Table C-1 shows the factory settings and available configurations for the switches and jumpers on the GPIB-PCII/IIA in GPIB-PCII mode. Table C-2 shows the factory settings and available configurations for the switches and jumpers in GPIB-PCIIA mode.

Table C-1. Factory Default Settings and Available Configurations for GPIB-PCII Mode

| GPIB-PCII | Default | Available |
|------------------------|----------------|-------------------------------|
| Base I/O Address (hex) | 2B8 | 100 to 3F8 in increments of 8 |
| DMA Channel | 1 | 1, 2, 3, or Not Used |
| Interrupt Line (IRQ) | 7 | 2, 3, 4, 5, 6, 7, or Not Used |
| Shield Ground | Connected | Connected or disconnected |

Table C-2. Factory Default Settings and Available Configurations for GPIB-PCIIA Mode

| GPIB-PCII | Default | Available |
|------------------------|----------------|-------------------------------|
| Base I/O Address (hex) | 2E1 | 2E1, 22E1, 42E1, or 62E1 |
| DMA Channel | 1 | 1, 2, 3, or Not Used |
| Interrupt Line (IRQ) | 7 | 2, 3, 4, 5, 6, 7, or Not Used |
| Shield Ground | Connected | Connected or disconnected |

Check Tables C-1 and C-2 to make sure that the factory default settings of your GPIB-PCII/IIA board are the same as the values you entered when prompted by the IBDIAG program. If they are not, run IBDIAG again, and enter the default values when prompted. For instructions on running IBDIAG again, refer to Appendix D, *Interactive Software Installation*.

If IBDIAG still returns an error message, one of the switches and jumpers on your GPIB-PCII/IIA board may be configured to the same setting as another board or device in your computer. Check the manuals of any other devices or boards you are using to determine if they conflict with the configuration settings of your GPIB-PCII/IIA board. If the manuals are not available, check Tables C-3, C-4, and C-5 later in this appendix for possible conflicts.

If there is a conflict, you need to change the conflicting setting on either your GPIB-PCII/IIA board or the other board or device and run IBDIAG again. To change a hardware configuration setting on your GPIB-PCII/IIA board, follow the instructions in the following section, *Changing Hardware Configuration Settings*.

If you complete these instructions and IBDIAG still returns an error message, complete the *GPIB-PCII/IIA Hardware and Software Configuration Form* in Appendix E, *Customer Communication*, and contact National Instruments for technical support.

Changing Hardware Configuration Settings

Complete the following steps to change the configuration settings of your GPIB-PCII/IIA interface board.

Step 1. Configure the Hardware

Base I/O Address Selection

GPIB-PCII mode and GPIB-PCIIA mode use different regions of I/O address space. By default, GPIB-PCII mode uses base I/O address 2B8 hex and GPIB-PCIIA mode uses base I/O address 2E1 hex. To select a different base I/O address for your GPIB-PCII/IIA, follow the instructions that pertain to the GPIB-PC mode setting of your board.

GPIB-PCII Mode

Switch block U2 is used to set the address for address lines A3 through A9. The addresses are in a consecutive block of eight beginning on any multiple of 8 between 100 and 3F8 hex. For example, for the default address, 2B8 hex, the GPIB-PCII uses the address space 2B8 through 2BF hex.

Press the side marked 1 to select a binary value of 1 for the corresponding address bit. Press the 0 side of the switch to select a value of 0 for the corresponding address bit.

To change the base I/O address, press each switch to the desired position, then check each switch to make sure it is pressed down all the way.

Figure C-3 shows two possible switch settings. Each of the address selections shows how the base I/O address was calculated from the switch positions.

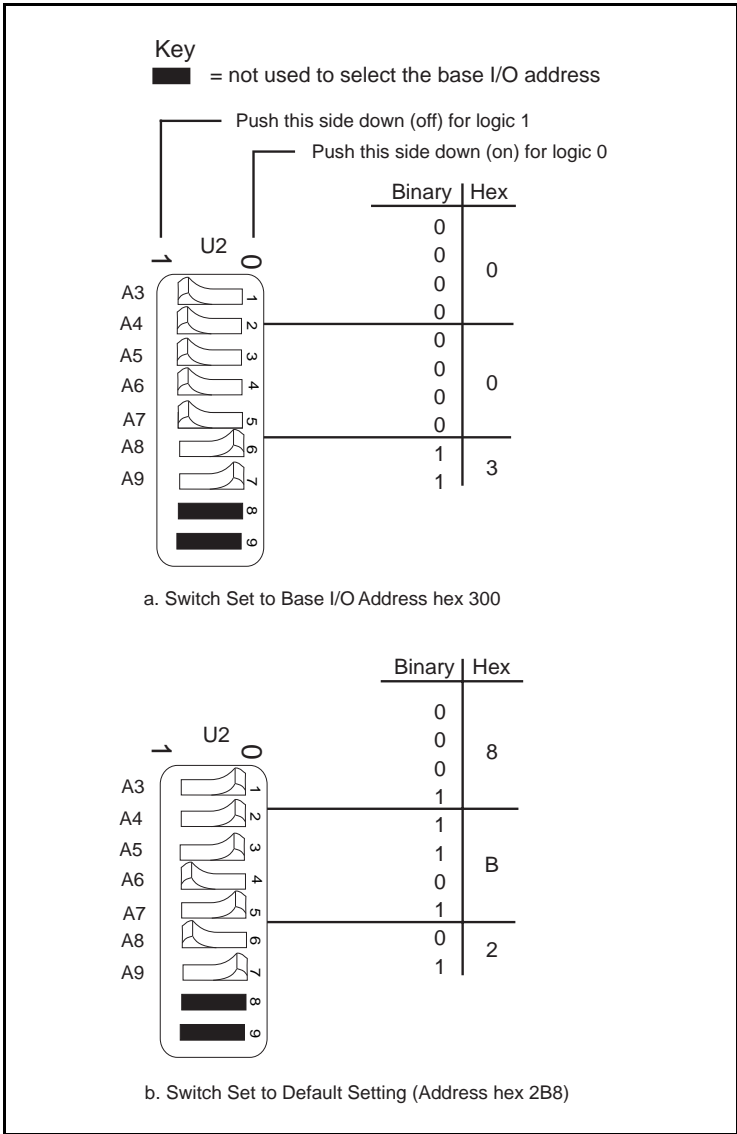


Figure C-3. Base I/O Address Switch Settings for GPIB-PCII Mode

GPIB-PCIIA Mode

The GPIB-PCIIA base I/O address is set using switches 4 and 5 of the switch block at U2. The four possible base I/O addresses are 2E1, 22E1, 42E1, and 62E1 hex.

Figure C-4 shows the switch settings for the four possible base I/O addresses and the address space used for each setting. Figure C-4a shows how the base I/O address was calculated from the switch positions.

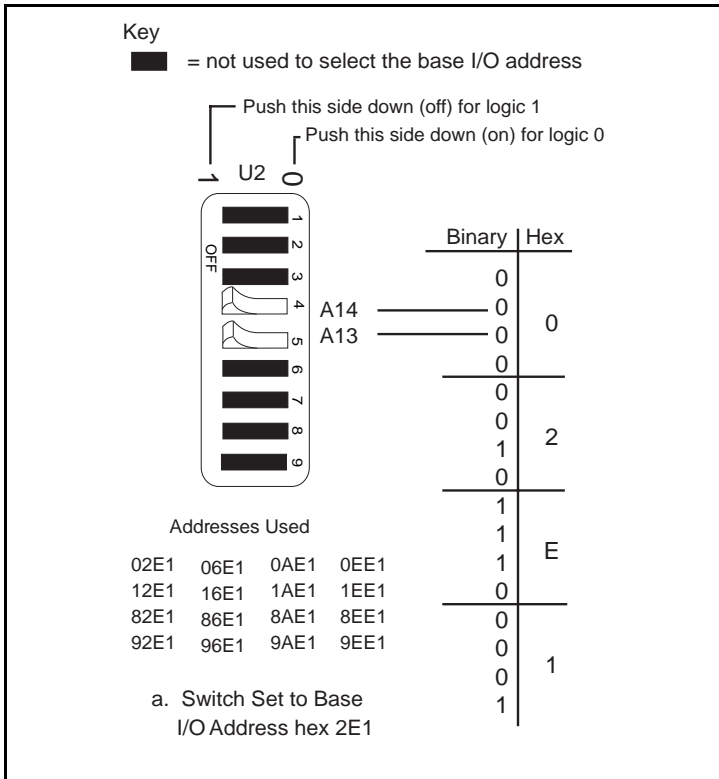


Figure C-4. Base I/O Address Switch Settings for GPIB-PCIIA Mode (Continues)

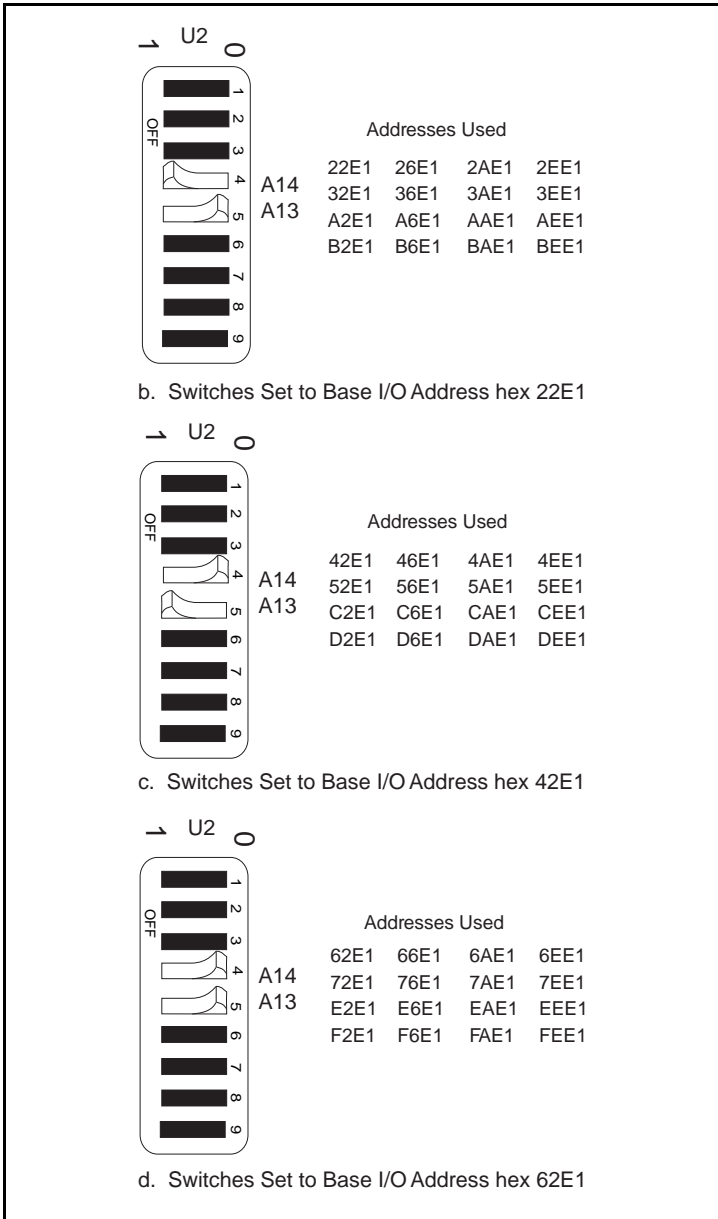


Figure C-4. Base I/O Address Switch Settings (Continued)

To change the base I/O address, locate the switches at U2, press each switch to the desired position, and check each switch to make sure it is pressed down all the way.

If you change the base I/O address setting from the default setting, record the new setting on the *GPIB-PCII/IIA Hardware and Software Configuration Form* in Appendix E, *Customer Communication*. Remember that you must run the IBDIAG diagnostic program and configure the software, as explained later in this appendix, after you change any hardware configuration settings.

Possible Conflicts

Table C-3 lists some of the I/O addresses used by other PC plug-in interface boards and adapters. This is not a complete list, but it may help in determining possible address conflicts. Symptoms of I/O address conflicts vary widely. At one extreme, conflicts can prevent the computer from booting. At the other extreme, they can cause problems that do not surface until a considerable amount of time has elapsed. When conflicts do surface, the problems can exhibit themselves simply as strange behavior.

National Instruments has made every effort to select a default base I/O address that will work. However, because of the numerous different interface boards available for use in the PC, it is not possible to select a base I/O address that is guaranteed to work in all systems.

Note: *In GPIB-PCII mode, eight consecutive addresses are used, while in GPIB-PCIIA mode, sixteen addresses spread throughout the upper address space are used.*

Table C-3. I/O Addresses Used by Other Devices

| I/O Address Range (Hex) | Device |
|---|--|
| 100 to 1EF 1F0 to 1F8 | IBM PC Fixed Disk |
| 200 to 20F 208 210 to 217 210 to 213 | PC and PC AT Game Controller, reserved LIM Expanded Memory Card PC Expansion Unit AT-DIO-24 |
| 218 219 to 21E 21F 220 to 23F 240 to 25F 248 258 260 to 27F 259 to 267 268 269 to 277 278 to 27F 280 to 29F 2A0 to 2A7 2A8 2A9 to 2AF 2B0 to 2DF 2B8 2B9 to 2BF 2C0 to 2DF 2E0 to 2FF 2E1 2E2 to 2E3 2E4 to 2E7 2E8 2E9 to 2F7 2F8 to 2FF | LIM Expanded Memory Card Reserved AT-MIO-16 AT-DIO-32F LIM Expanded Memory Card LIM Expanded Memory Card LabPC (default) LIM Expanded Memory Card AT Parallel Printer Port 2 WD EtherCard + (default) LIM Expanded Memory Card PC, AT EGA (alternate) LIM Expanded Memory Card, GPIB-PCII (base) AT-GPIB board 0 (default) AT-GPIB board 1 (default) IBM GPIB Adapter 0, GPIB-PCIIA (base) IBM Data Acquisition Adapter 0 LIM Expanded Memory Card PC, AT Serial Port 2 (COM2) |

(continues)

Table C-3. I/O Addresses Used by Other Devices (Continued)

| I/O Address Range (Hex) | Device |
|-------------------------|--|
| 300 to 31F | PC, AT Prototype card |
| 300 to 30F | 3Com EtherLink (default) |
| 320 to 32F | IBM PC/XT Fixed Disk Controller |
| 330 to 347 | |
| 348 to 357 | DCA 3278 |
| 358 to 35F | |
| 360 to 363 | PC Network (low address) |
| 364 to 367 | Reserved |
| 368 to 36B | PC Network (high address) |
| 36C to 36F | Reserved |
| 370 to 377 | |
| 378 to 37F | PC, AT Parallel Printer Port 1 |
| 380 to 38C | SDLC Communications |
| 380 to 389 | Bisynchronous (BSC) Communications (alternate) |
| 390 to 393 | Cluster Adapter 0 |
| 394 to 39F | |
| 3A0 to 3A9 | Bisynchronous (BSC) Communications (primary) |
| 3AA to 3AF | |
| 3B0 to 3BF | Monochrome Display/Parallel Printer Adapter 0 |
| 3C0 to 3CF | Enhanced Graphics Adapter, VGA |
| 3D0 to 3DF | Color/Graphics Monitor Adapter, VGA |
| 3E0 to 3EF | |
| 3F0 to 3F7 | Diskette Controller |
| 3F8 to 3FF | Serial Port 1 (COM1) |

Interrupt Selection

The GPIB-PCII/IIA interface board can use any of six interrupt lines available on the PC, or no interrupts at all. The interrupt line is selected using the jumper sets labeled IRQ2 through IRQ7 (see Figure C-1). The GPIB-PCII/IIA is set at the factory to use line 7. To select another interrupt line, place the supplied jumper across the two pins adjacent to the label designating that interrupt line. Figure C-5 shows the selection of interrupt line 7.

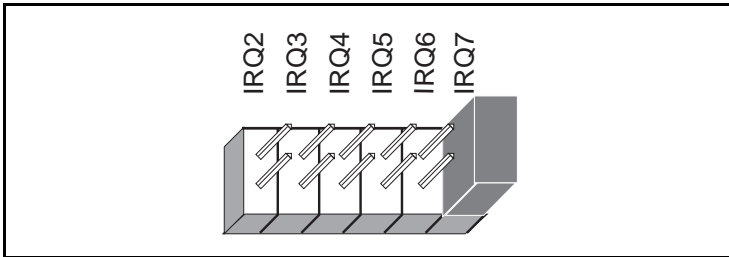


Figure C-5. Default Interrupt Jumper Setting for GPIB-PCII Mode

If you do not want to use interrupts, you must logically disconnect the GPIB-PCII/IIA from the IRQ lines by selecting *NONE* for the interrupt line when you run the software configuration program, as explained in *Step 3. Configure the Software*, later in this appendix. The board can remain in the backplane and no jumpers have to be moved or changed.

Shared Interrupts in GPIB-PCIIA Mode

Multiple GPIB-PCII/IIA boards can share the same interrupt level if they are all configured for GPIB-PCIIA mode.

If you use the GPIB-PCII/IIA in GPIB-PCIIA mode and you want to change the interrupt line, you must set switches I0, I1, and I2 in switch block U2 to the line setting in addition to setting the interrupt jumpers.

Figure C-6 shows the switch and jumper settings for the default interrupt setting, IRQ7, and shows how the interrupt setting was calculated from the switch positions. Figure C-7 shows the switch and jumper settings for the five remaining interrupt lines.

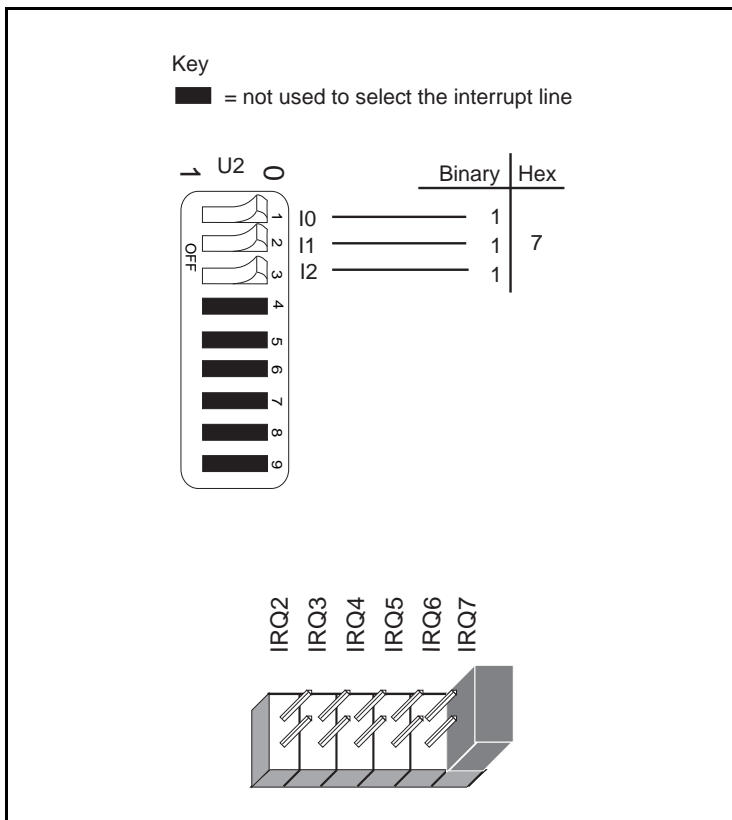


Figure C-6. Default Interrupt Jumper Setting for GPIB-PCIIA Mode

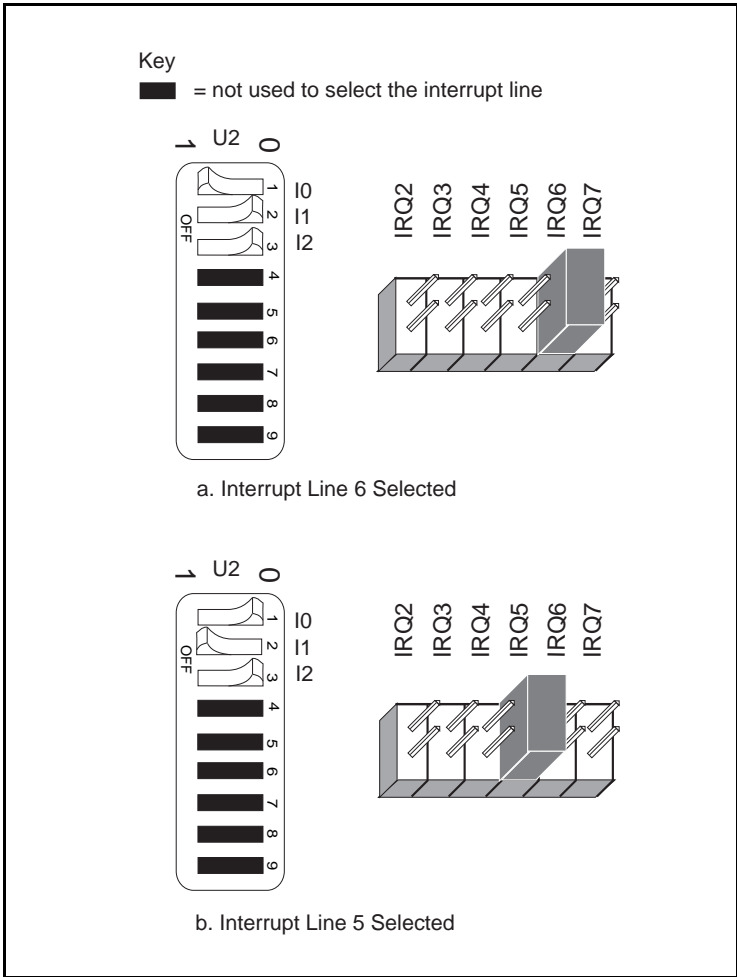


Figure C-7. Interrupt Jumper Settings for GPIB-PCIIA Mode (Continues)

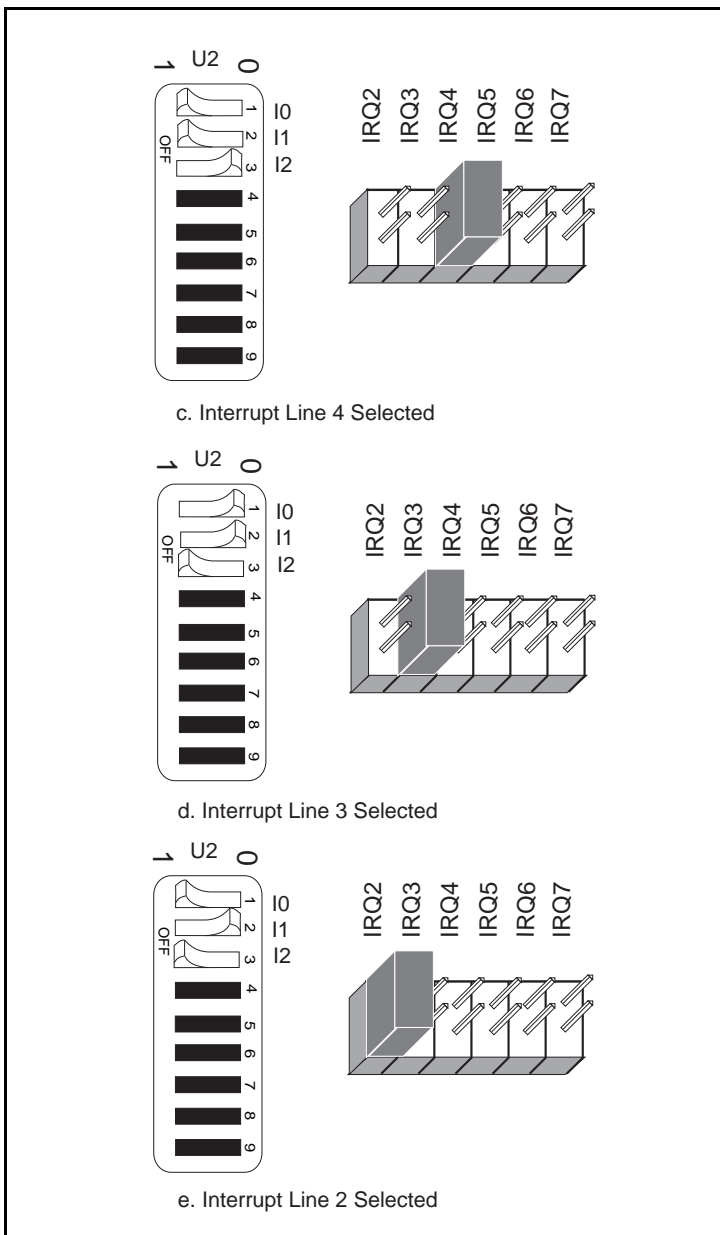


Figure C-7. Interrupt Jumper Settings for GPIB-PCIIA Mode (Continued)

If you change the interrupt jumper setting from the default setting, record the new setting on the *GPIB-PCII/IIA Hardware and Software Configuration Form* in Appendix E, *Customer Communication*. Remember that you must run the IBDIAG diagnostic program and configure the software, as explained later in this appendix, after you change any hardware configuration settings.

Possible Conflicts

Table C-4 lists some of the interrupt lines used by other PC plug-in interface boards and adapters. This is by no means a complete list, but it may help in determining possible interrupt conflicts. Symptoms of interrupt conflicts vary widely. Conflicts can prevent the computer from booting. They may also cause repeated time outs on GPIB function calls. When conflicts do surface, the problems can exhibit themselves simply as strange behavior.

National Instruments has made every effort to select a default interrupt line that will work. However, because of the numerous different interface boards available for use in the PC, it is not possible to select an interrupt line that is guaranteed to work in all systems. Therefore, be certain of your system's interrupt assignments before proceeding with installation.

Table C-4. Interrupt Lines Used by Other Devices

| IRQ | Device |
|------------|--|
| 7 | Parallel Port 1 Data Acquisition and Control (default) GPIB-PCII/IIA |
| 6 | Diskette Controller Fixed Disk and Diskette Drive |
| 5 | Parallel Port 2 PC-DIO-24 (default) LabPC (default) |

(continues)

Table C-4. Interrupt Lines Used by Other Devices (Continued)

| IRQ | Device |
|-----|--|
| 4 | Serial Port 1 BSC BSC Alt. SDLC |
| 3 | Serial Port 2 BSC BSC Alt. Cluster (Primary) PC Network (default) PC Network Alt. (default) SDLC WD EtherCard + (default) 3Com EtherLink (default) |
| 2 | IRQ Chain for PC AT |
| 1 | Keyboard Controller Output Buffer Full |
| 0 | Timer Channel 0 Output |

DMA Channel Selection

The GPIB-PCII/IIA can use DMA channels 1, 2, or 3, or no DMA at all. The DMA channel is selected by the jumper sets labeled DRQ1 through DACK 3 (see Figure C-1).

Each DMA channel consists of two signal lines, as shown in Table C-5.

Table C-5. DMA Channels for the GPIB-PCII/IIA

| DMA Channel | Signal Lines | |
|-------------|-----------------|-------------|
| | DMA Acknowledge | DMA Request |
| 1 | DACK1 | DRQ1 |
| 2 | DACK2 | DRQ2 |
| 3 | DACK3 | DRQ3 |

You must position two jumpers to select a DMA channel. One jumper selects the DMA Request line, and the other selects the DMA Acknowledge line. You must move these two jumpers as a pair, and the DMA Acknowledge and DMA Request lines that you select must have the same numeric suffix for proper operation.

Figure C-8 shows the jumper position for the default DMA channel setting, DMA channel 1.

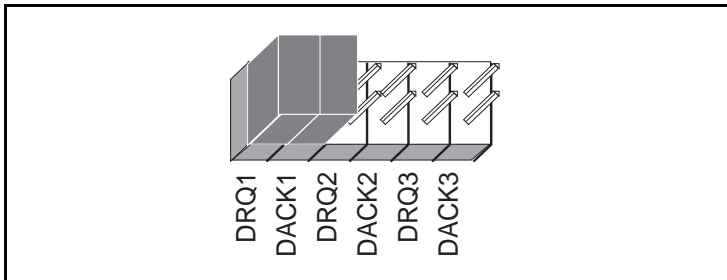


Figure C-8. DMA Channel Jumper Setting for DMA Channel 1

If you do not want to use DMA for GPIB transfers (the GPIB-PCII/IIA alternatively can use programmed I/O transfers), you must logically disconnect the GPIB-PCII/IIA from the DMA lines by selecting *NONE* for the DMA line when you run the software configuration program, as explained in *Step 3. Configure the Software*, later in this appendix. The board can remain in the back panel and no jumpers have to be moved or changed.

Note: *Disabling DMA will decrease performance substantially.*

If you change the DMA jumper setting from the default setting, record the new setting on the *GPIB-PCII/IIA Hardware and Software Configuration Form* in Appendix E, *Customer Communication*. Remember that you must run the IBDIAG diagnostic program and configure the software, as explained later in this appendix, after you change any hardware configuration settings.

Possible Conflicts

There are only three DMA channels that can be used by the GPIB-PCII/IIA interface board. If any device uses DMA channel 1, change the DMA channel used by either the GPIB-PCII/IIA or the other device to DMA channel 2 or 3. If no DMA channel is available, configure the software to run without DMA using the software configuration program.

Shield Ground Configuration

The GPIB-PCII/IIA is set at the factory with the jumper in place to connect the logic ground of the GPIB-PCII/IIA to its shield ground. This configuration minimizes the EMI emissions.

Caution: *The GPIB-PCII/IIA was tested for compliance with FCC standards with the shield ground connected to logic ground. Removing the jumper might cause EMI emissions to exceed any or all of the applicable standards.*

If your application requires that logic ground be disconnected from shield ground, refer to Figure C-1 to locate the shield ground jumper W1 on the GPIB-PCII/IIA. Remove the jumper and place it across only one of the jumper pins, as shown in Figure C-9.

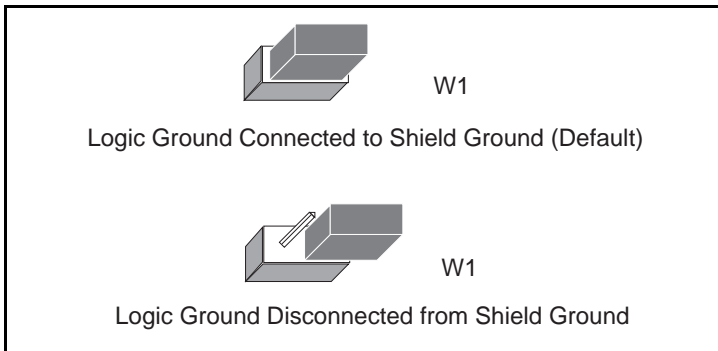


Figure C-9. Ground Configuration Jumper Settings

Be sure to record the jumper setting on the *GPIB-PCII/IIA Hardware and Software Configuration Form* in Appendix E, *Customer Communication*.

Step 2. Run the IBDIAG Diagnostic Program

If you have changed any hardware configuration settings, you *must* run the diagnostic program, IBDIAG, again. For instructions on running IBDIAG, refer to Appendix C, *Interactive Software Installation*.

Step 3. Configure the Software

If you have changed any hardware configuration settings, you *must* make appropriate changes to the NI-488.2 handler. To do so, you must run the configuration program, IBCONF or WIBCONF, and edit the board parameters (such as the base I/O address or interrupt line) that you have changed.

If you are using the NI-488.2 software for Windows, skip to *Configuring the Software for Windows*, later in this appendix. If you are using the NI-488.2 software for MS-DOS, proceed to the next section, *Configuring the Software for MS-DOS*.

Configuring the Software for MS-DOS

Use the software configuration program, `IBCONF`, to change or examine the configuration parameters of the NI-488.2 software handler file, `GPIB.COM`.

Perform the following steps to change a software parameter to match changes to the hardware configuration.

1. Run `IBCONF` by entering the following commands:

```
cd \gpiib-pc
ibconf
```

2. Press any key to display the configuration map.
3. When the configuration map appears, make sure that `GPIB0` is highlighted and press `<F8>` to edit the board configurations.
4. Using the arrow keys, move the highlight to the board parameter you want to change.
5. Use the arrow keys to change the value of the parameter to match the hardware configuration.
6. Press `<F9>` to stop editing.
7. Press `<F9>` once again to quit `IBCONF`.
8. `IBCONF` displays a prompt asking if you want to save your changes. Enter `y` for yes.
9. `IBCONF` displays a prompt asking if you want to update the handler in memory. Enter `y` for yes. In some cases, `IBCONF` instructs you to restart your computer.

Changes to other configurable parameters can be made in the same manner.

Configuring the Software for Windows

Use the software configuration program, `WIBCONF`, to change or examine the configuration parameters of the NI-488.2 software handler. `WIBCONF` is *not* a Windows application. You can run it to configure the software directly from Windows.

`WIBCONF` operates in much the same way as the NI-488.2 MS-DOS configuration program, `IBCONF`. However, the following differences exist between `IBCONF` for MS-DOS and `WIBCONF` for Windows:

- Instead of configuring the handler file, `GPIB.COM`, `WIBCONF` actually modifies the configuration file, `GPIB.INI`.
- Auto-configuration for NI-488.2 GPIB DLLs is not supported.
- The option of configuring the loaded driver does not apply.

Perform the following steps to change a software parameter to match changes to the hardware configuration.

1. Select the `WIBCONF` icon by double-clicking on it.
2. `WIBCONF` displays a prompt asking for parameters. If you used the quick version of `INSTALL`, press <Enter>.

If you used the interactive version of `INSTALL` and did not install the software in the default directory, `C:\WINDOWS`, enter the name of your Windows directory, such as `E:\WINDOWS\GPIB.INI`, for example.

3. Press any key to display the configuration map.
4. When the configuration map appears, make sure that `GPIB0` is highlighted and press <F8> to edit the board configurations.
5. Using the arrow keys, move the highlight to the board parameter you want to change.
6. Use the arrow keys to change the value of the parameter to match the hardware configuration.

7. Press <F9> to stop editing.
8. Press <F9> once again to quit WIBCONF.
9. WIBCONF displays a prompt asking if you want to save your changes.
Enter *y* for yes.

Changes to other configurable parameters can be made in the same manner.

Appendix D

Interactive Software Installation

This appendix contains instructions for running the interactive version of INSTALL.

By using the interactive version of INSTALL, you can change the default filenames and directories used in installation. Enter the following command to run INSTALL:

```
x:install
```

where *x* is the letter of the drive containing the distribution diskette.

INSTALL displays a main menu with three options: DOS GPIB Installation, Windows GPIB Installation, and Return to DOS.

If you are using the NI-488.2 software for Windows, skip to *INSTALL for Windows*, later in this appendix. If you are using the NI-488.2 software for MS-DOS, proceed to the following section, *INSTALL for MS-DOS*.

INSTALL for MS-DOS

Select DOS GPIB Installation from the main menu.

INSTALL displays a DOS installation menu with three options: GPIB Installation, Diagnostics, and Return to DOS.

If you have already installed the NI-488.2 software files and need to run IBDIAG again, skip to *Running IBDIAG for MS-DOS*, later in this section.

Installing the Software for MS-DOS

Select GPIB Installation to install the NI-488.2 software files.

INSTALL displays a screen asking you to confirm or change the default installation settings, the *destination directory* and the *boot drive*.

- The destination directory setting is the drive and directory name of the location to which INSTALL will copy the NI-488.2 software. The default value of this setting is `c:\gpiib-pc`. In most cases, the drive name given in this field should be the drive off of which you start your computer.
- The boot drive setting is the drive name of the disk (hard disk or diskette) off of which you start your computer. If you start from a diskette, this field typically contains `A:` or `B:`. If you start from a hard disk, this field typically contains `C:`. The default value of this setting is `C:`.

To change these settings, use the arrow keys to move the highlight to the appropriate field and enter the new value. Press <Enter> to exit the menu.

INSTALL then checks the information you entered. If there is a problem accessing any of the specified drives, it displays an error message and prompts you to re-enter the offending setting. If there are no errors, INSTALL installs the software files.

Note: Press <Esc> at any time to abort the installation.

When the installation is complete, INSTALL asks to modify your `CONFIG.SYS` file. If you enter `yes`, INSTALL adds the following line to your `CONFIG.SYS` file:

```
device=dir\gpiib.com
```

where *dir* is the destination directory. If you have a previous version of the NI-488 software installed on your computer, INSTALL replaces the old version's information in `CONFIG.SYS` with the new information.

If you enter `no` to the above prompt, INSTALL displays a message informing you of the correct line that you should add to your `CONFIG.SYS` file.

Running IBDIAG for MS-DOS

Upon completion of the software installation, INSTALL returns to the main menu. Select *Diagnostics* to run the hardware diagnostic program, IBDIAG. IBDIAG confirms that the hardware is functioning properly, and verifies that the software configuration settings are set correctly.

If IBDIAG returns an error message, check the GPIB-PCII/IIA to ensure that it is not connected to a GPIB cable. IBDIAG may not function properly if a cable is connected to the GPIB-PCII/IIA.

If IBDIAG still returns an error message, you may need to check the hardware configuration switch and jumper settings. Refer to Appendix C, *Hardware and Software Configuration*, for information on checking and changing the GPIB-PCII/IIA hardware configuration settings.

If there are no errors, INSTALL displays the DOS installation menu.

Exiting INSTALL

You have completed the interactive version of INSTALL for MS-DOS.

Select *Return to DOS* from the DOS installation menu to exit INSTALL. Proceed to *Step 2. Test the Software Installation* in Chapter 3, *Software Installation*, to complete the installation procedure.

INSTALL for Windows

Select *Windows GPIB Installation* from the main menu.

INSTALL displays a Windows installation menu with three options: *Windows Installation*, *Diagnostics*, and *Return to Windows*.

If you have already installed the NI-488.2 software files and need to run IBDIAG again, refer to *Running IBDIAG for Windows*, later in this section.

Installing the Software for Windows

Select `Windows Installation` to install the NI-488.2 software files.

`INSTALL` displays a screen asking you to confirm or change the default installation settings, the *destination directory* and the *Windows directory*.

- The destination directory setting is the drive and directory name of the location to which `INSTALL` will copy the NI-488.2 software. The default value of this setting is `c:\gpiib-pcw`. In most cases, the drive name given in this field should be the drive off of which you start your computer.
- The Windows directory setting is the drive and directory name of the location to which `INSTALL` will copy the Windows GPIB software. The default value of this setting is `c:\windows`.

To change these settings, use the arrow keys to move the highlight to the appropriate field and enter the new value. Press `<Enter>` to exit the menu.

`INSTALL` then checks the information you entered. If there is a problem accessing any of the specified drives, it displays an error message and prompts you to re-enter the offending setting. If there are no errors, `INSTALL` installs the software files.

Note: Press `<Esc>` at any time to abort the installation.

Running IBDIAG for Windows

Upon completion of the software installation, `INSTALL` returns to the main menu. Select `Diagnostics` to run the hardware diagnostic program, `IBDIAG`. `IBDIAG` confirms that the hardware is functioning properly, and verifies that the software configuration settings are set correctly.

If `IBDIAG` returns an error message, check the GPIB-PCII/IIA to ensure that it is not connected to a GPIB cable. `IBDIAG` may not function properly if a cable is connected to the GPIB-PCII/IIA.

If IBDIAG still returns an error message, you may need to check the hardware configuration switch and jumper settings. Refer to Appendix C, *Hardware and Software Configuration*, for information on checking and changing the GPIB-PCII/IIA hardware configuration settings.

If there are no errors, INSTALL displays the Windows installation menu.

Exiting INSTALL

You have now completed the interactive version of INSTALL for Windows.

Select Return to DOS from the Windows installation menu to exit INSTALL. Proceed to *Step 2. Set Up the Windows Applications* in Chapter 3, *Software Installation*, to complete the installation procedure.

Appendix E

Customer Communication

For your convenience, this appendix contains forms to help you gather the information necessary to help us solve technical problems you might have as well as a form you can use to comment on the product documentation. Filling out a copy of the *Technical Support Form* before contacting National Instruments helps us help you better and faster.

National Instruments provides comprehensive technical assistance around the world. In the U.S. and Canada, applications engineers are available Monday through Friday from 8:00 a.m. to 6:00 p.m. (central time). In other countries, contact the nearest branch office. You may fax questions to us at any time.

Corporate Headquarters

(512) 795-8248

Technical support fax: (800) 328-2203
(512) 794-5678

| Branch Offices | Phone Number | Fax Number |
|-----------------------|---------------------|-------------------|
| Australia | (03) 879 9422 | (03) 879 9179 |
| Austria | (0662) 435986 | (0662) 437010-19 |
| Belgium | 02/757.00.20 | 02/757.03.11 |
| Denmark | 45 76 26 00 | 45 76 71 11 |
| Finland | (90) 527 2321 | (90) 502 2930 |
| France | (1) 48 14 24 00 | (1) 48 14 24 14 |
| Germany | 089/741 31 30 | 089/714 60 35 |
| Italy | 02/48301892 | 02/48301915 |
| Japan | (03) 3788-1921 | (03) 3788-1923 |
| Mexico | 95 800 010 0793 | 95 800 010 0793 |
| Netherlands | 03480-33466 | 03480-30673 |
| Norway | 32-848400 | 32-848600 |
| Singapore | 22658862265887 | |
| Spain | (91) 640 0085 | (91) 640 0533 |
| Sweden | 08-730 49 70 | 08-730 43 70 |
| Switzerland | 056/20 51 51 | 056/20 51 55 |
| Taiwan | 02 377 1200 | 02 737 4644 |
| U.K. | 0635 523545 | 0635 523154 |

Technical Support Form

Photocopy this form and update it each time you make changes to your software or hardware, and use the completed copy of this form as a reference for your current configuration. Completing this form accurately before contacting National Instruments for technical support helps our applications engineers answer your questions more efficiently.

If you are using any National Instruments hardware or software products related to this problem, include the configuration forms from their user manuals. Include additional pages if necessary.

Name _____

Company _____

Address _____

Fax (____) _____ Phone (____) _____

Computer brand _____

Model _____ Processor _____

Operating system _____

Speed _____MHz RAM _____MB

Display adapter _____

Mouse _____yes _____no

Other adapters installed _____

Hard disk capacity _____MB Brand _____

Instruments used _____

National Instruments hardware product model _____

Revision _____

Configuration _____

(continues)

National Instruments software product _____

Version _____

Configuration _____

Application Program _____

Version _____

Graphics Devices Used _____

The problem is _____

List any error messages _____

The following steps will reproduce the problem _____

GPIB-PCII/IIA Hardware and Software Configuration Form

Record the settings and revisions of your hardware and software on the line located to the right of each item. Complete this form each time you revise your software or hardware configuration, and use this form as a reference for your current configuration. Completing this form accurately before contacting National Instruments for technical support helps our applications engineers answer your questions more efficiently.

National Instruments Products

- GPIB-PCII/IIA Hardware Revision _____
- GPIB-PC Mode of GPIB-PCII/IIA _____
- NI-488.2 Software Version Number on Disk _____
- Shield Ground Connected to Logic Ground (yes or no) _____
- Board Settings

| | Base I/O Address | Interrupt Level | DMA Channel |
|-------|---------------------|--------------------|----------------|
| gpib0 | _____ | _____ | _____ |
| gpib1 | _____ | _____ | _____ |
| gpib2 | _____ | _____ | _____ |
| gpib3 | _____ | _____ | _____ |

- GPIB-PC Handler Type set in IBCONF or WIBCONF _____
- Interrupt Level set in IBCONF or WIBCONF _____
- DMA Channel set in IBCONF or WIBCONF _____
- Base I/O Address set in IBCONF or WIBCONF _____
- Shield Ground set in IBCONF or WIBCONF _____

Other Products

- Computer Make and Model _____
- Microprocessor _____
- Clock Frequency _____
- Type of Monitor Card Installed _____
- DOS or Windows Version _____
- Graphics Devices Used _____
- Application Program _____
Version _____
- Other Boards in System _____
- Base I/O Addresses of Other Boards _____
- DMA Channels of Other Boards _____
- Interrupt Levels of Other Boards _____

Glossary

| Prefix | Meaning | Value |
|---------|---------|-----------|
| n- | nano- | 10^{-9} |
| μ - | micro- | 10^{-6} |
| m- | milli- | 10^{-3} |
| c- | centi- | 10^{-2} |
| M- | mega- | 10^6 |

| | |
|-------|--|
| ° | degrees |
| % | percent |
| A | amperes |
| AC | alternating current |
| ANSI | American National Standards Institute |
| ASCII | American Standard Code for Information Interchange |
| ASIC | application-specific integrated circuit |
| C | Celsius |
| DAV | Data Valid |
| DLL | dynamic link library |
| DMA | direct memory access |
| EMI | electromagnetic interference |
| EOI | end or identify |
| EOS | end of string |
| FCC | Federal Communications Commission |
| GPIB | General Purpose Interface Bus |
| hex | hexadecimal |
| Hz | hertz |
| IEEE | Institute of Electrical and Electronic Engineers |
| in | inches |
| I/O | input/output |
| m | meters |
| MB | megabytes of memory |
| PC | personal computer |
| RAM | random-access memory |
| s | seconds |
| VDC | volts direct current |