

Data Collection and Control for Hands-On Engineering Education

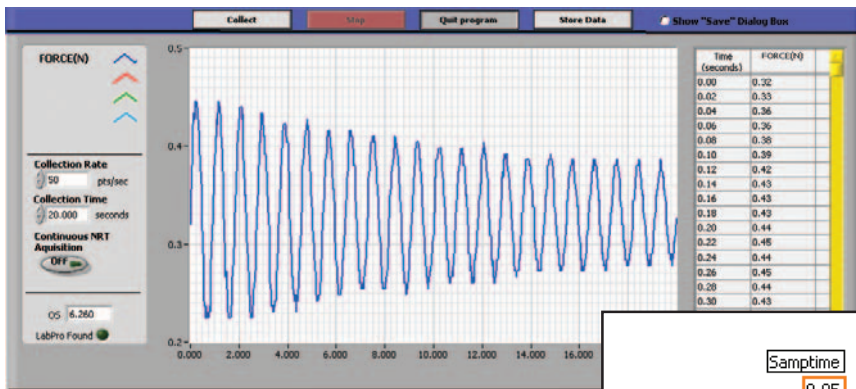
45 Vernier Sensors
for use with



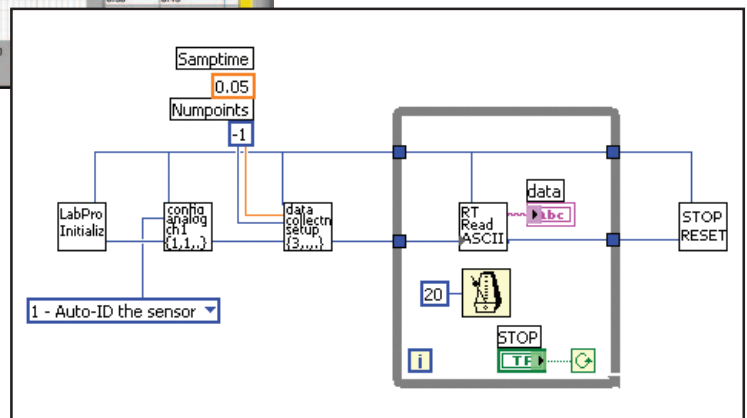
NI ELVIS



Vernier
LabPro®



LabPro VIs free at
www.vernier.com/labview



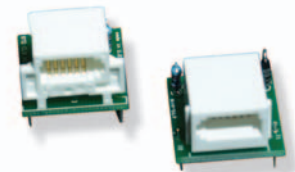
Vernier Sensors

All of these sensors can be used with either Vernier LabPro or NI ELVIS (via our new ELVIS adapters, \$10 each).

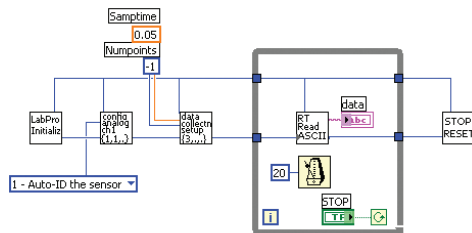
3-Axis Accelerometer \$199	Exercise Heart Rate Monitor \$91	pH Sensor \$74
25-g Accelerometer \$99	Extra-Long Temperature Probe \$70	Radiation Monitor \$209
Low-g Accelerometer \$98	Flow Rate Sensor \$129	Relative Humidity Sensor \$67
Barometer \$58	Force Plate \$199	Respiration Monitor Belt \$58
CO ₂ Gas Sensor \$261	Gas Pressure Sensor \$75	Rotary Motion Sensor \$195
Colorimeter \$110	Instrumentation Amplifier \$51	Sound Level Meter \$209
Conductivity Probe \$89	Ammonium Ion-Selective Electrode \$165	Stainless Steel Temperature Probe \$29
Current Probe \$37	Calcium Ion-Selective Electrode \$165	Student Radiation Monitor \$155
Differential Voltage Probe \$35	Chloride Ion-Selective Electrode \$165	Surface Temperature Sensor \$21
Digital Control Unit \$61	Nitrate Ion-Selective Electrode \$165	Turbidity Sensor \$99
Dissolved Oxygen Probe \$191	Light Sensor \$45	Thermocouple \$37
Drop Counter \$88	Magnetic Field Sensor \$54	UVA Sensor \$98
Dual-Range Force Sensor \$99	Microphone \$35	UVB Sensor \$99
EKG Sensor \$142	Motion Detector \$64	Vernier Photogate \$43
Electrode Amplifier \$40	O ₂ Gas Sensor \$186	Voltage Probe \$99

Vernier LabPro

- 4 channel, 12-bit A-to-D
- 2 digital I/O ports, with 8 lines
- 1 analog output, with built-in function generator
- USB or Serial connection
- Use with Windows®, Macintosh®, or Linux computers
- Price: \$220



NI Elvis Adapters
 BTA-ELV \$10
 BTD-ELV \$10



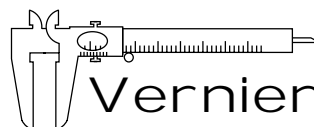
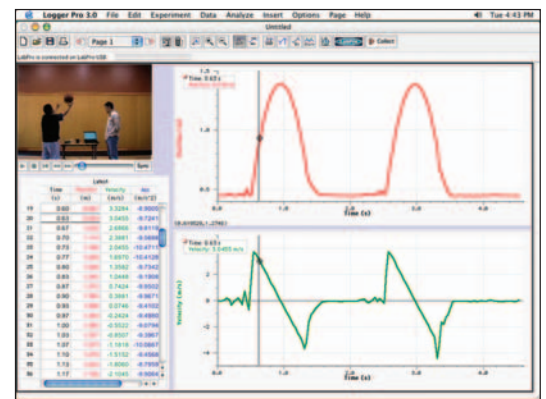
Free, Open-Source LabVIEW VIs

Dozens of free sample LabVIEW VIs are posted on our web site for use as starting points in data-collection and control projects.

Logger Pro®

A complete data-collection program for use with Vernier LabPro. Windows and Macintosh version, \$99 for a department site license, including students' home computers. Supports 45 Vernier sensors.

23 years of data-collection experience!



Vernier Software & Technology

13979 S.W. Millikan Way • Beaverton, OR 97005-2886
 toll free 888.837.6437 • fax 503.277.2440 • info@vernier.com • www.vernier.com