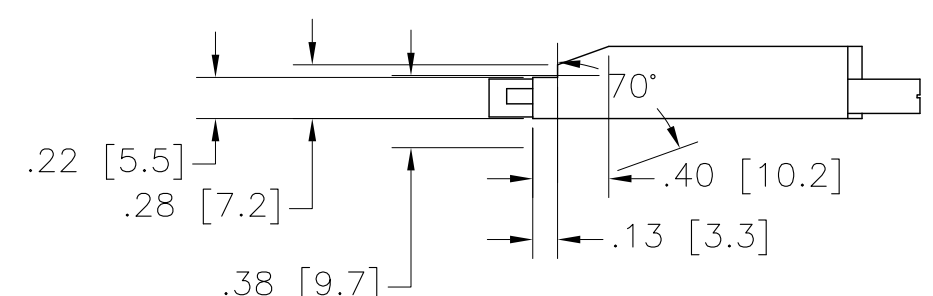
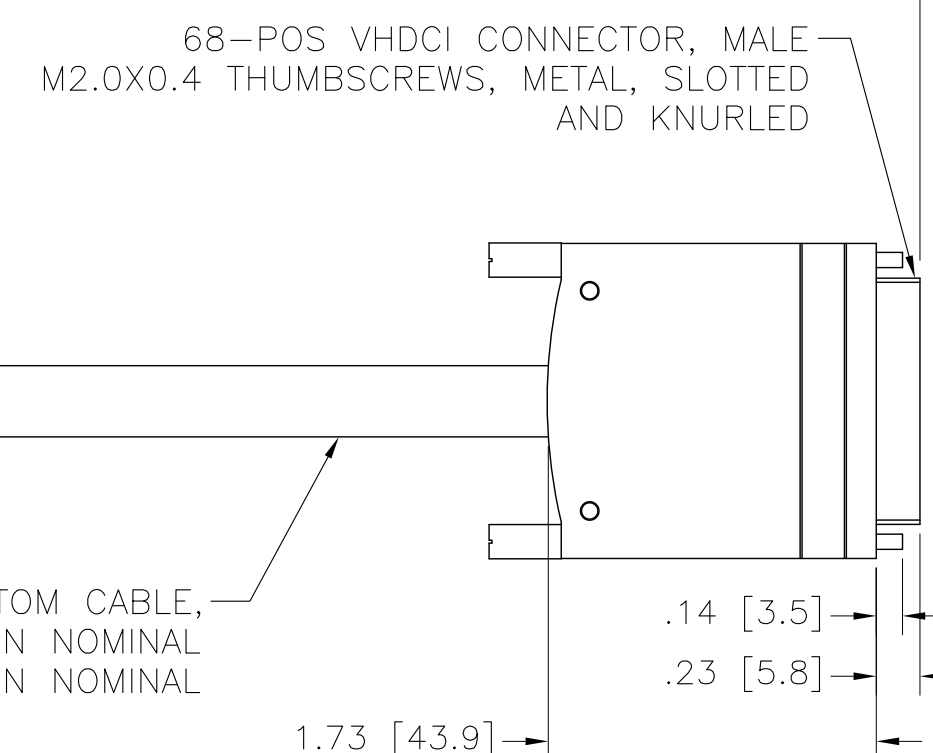
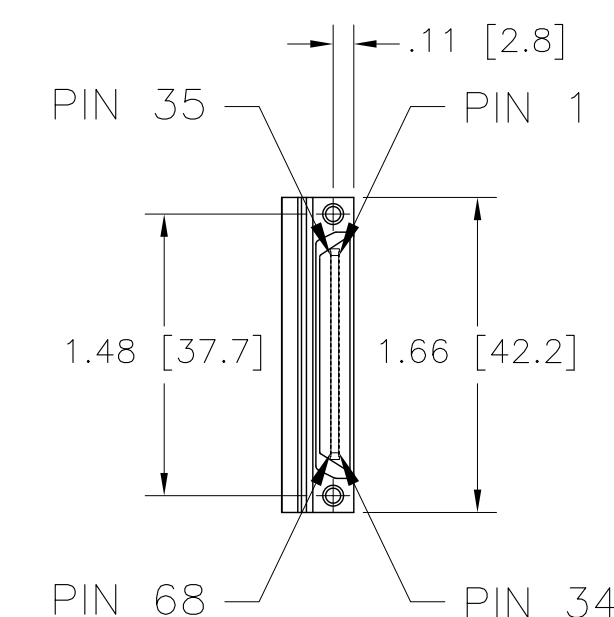


SEE TABLE 1



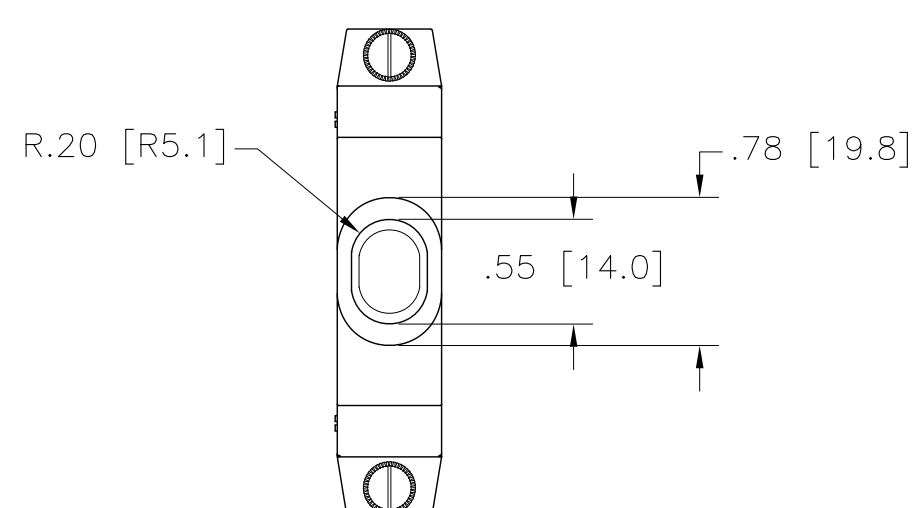
CUSTOMER DRAWING COMPATIBILITY			
REV	DESCRIPTION	DATE	APPROVED
A	DRAWING INCOMPATIBLE, OBSOLETE		
B	DRAWING INCOMPATIBLE, OBSOLETE		
C	DRAWING INCOMPATIBLE, OBSOLETE		
D	DRAWING COMPATIBLE, RELEASED	10/06/23	



WIRE LIST					
DIGITAL BUNDLE - 11 TWISTED PAIRS, OUTER SHIELD			P1 .050	P2 VHDCI	SIGNAL NAME
BUNDLE	PAIR NO	COLOR CODE	PIN NO	PIN NO	
A	1	WHITE/RED	1	1	+5V
		RED/WHITE	1	1	+5V
	2	WHITE/BROWN	2	2	P0.0
		BROWN/WHITE	36	36	DGND P0.0/P0.1
	3	WHITE/PINK	3	3	P0.1
		PINK/WHITE	36	36	DGND P0.0/P0.1
	4	WHITE/ORANGE	38	38	PFI 1
		ORANGE/WHITE	37	37	DGND PFI 0/1
	5	WHITE/YELLOW	4	4	PFI 0
		YELLOW/WHITE	37	37	DGND PFI 0/1
	6	WHITE/GREEN	5	5	PFI 2
GREEN/WHITE		39	39	DGND PFI 2/3	
7	WHITE/BLUE	6	6	PFI 3	
	BLUE/WHITE	39	39	DGND PFI 2/3	
8	WHITE/VIOLET	40	40	PFI 4	
	VIOLET/WHITE	41	41	DGND PFI 4/5	
9	WHITE/GRAY	7	7	PFI 5	
	GRAY/WHITE	41	41	DGND PFI 4/5	
10	RED/BROWN	8	8	PFI 6	
	BROWN/RED	42	42	DGND PFI 6/7	
11	RED/PINK	9	9	PFI 7	
	PINK/RED	42	42	DGND PFI 6/7	
GROUP OUTER SHIELD		SHELL	SHELL	SHIELD	

WIRE LIST (CONT.)					
ANALOG BUNDLE - 2X 16 TWISTED PAIRS			P1 .050	P2 VHDCI	SIGNAL NAME
BUNDLE	PAIR NO	COLOR CODE	PIN NO	PIN NO	
B	1	RED/ORANGE	44	44	AO 1
		ORANGE/RED	11	11	AO GND 0/1
	2	RED/YELLOW	10	10	AO 0
		YELLOW/RED	11	11	AO GND 0/1
	3	RED/GREEN	45	45	AO 2
		GREEN/RED	46	46	AO GND 2/3
	4	RED/BLUE	12	12	AO 3
		BLUE/RED	46	46	AO GND 2/3
	5	RED/VIOLET	47	47	AO 5
		VIOLET/RED	14	14	AO GND 4/5
	6	RED/GRAY	13	13	AO 4
		GRAY/RED	14	14	AO GND 4/5
	7	BROWN/PINK	48	48	AO 6
		PINK/BROWN	49	49	AO6 GND 6/7
	8	BROWN/ORANGE	15	15	AO 7
		ORANGE/BROWN	49	49	AO GND 6/7
9	BROWN/YELLOW	16	16	AO 8	
	YELLOW/BROWN	50	50	AO GND 8/9/10	
10	BROWN/GREEN	17	17	AO 9	
	GREEN/BROWN	50	50	AO GND 8/9/10	
11	BROWN/BLUE	51	51	AO 10	
	BLUE/BROWN	50	50	AO GND 8/9/10	
12	BROWN/VIOLET	52	52	AO 11	
	VIOLET/BROWN	18	18	AO GND 11	
13	BROWN/GRAY	53	53	AO 12	
	GRAY/BROWN	20	20	AO GND 12/13	
14	PINK/ORANGE	54	54	AO 13	
	ORANGE/PINK	20	20	AO GND 12/13	
15	PINK/YELLOW	21	21	AO 14	
	YELLOW/PINK	55	55	AO GND 14/15	
16	PINK/GREEN	22	22	AO 15	
	GREEN/PINK	55	55	AO GND 14/15	
17	PINK/BLUE	57	57	AO 17	
	BLUE/PINK	24	24	AO GND 16/17	
18	PINK/VIOLET	23	23	AO 16	
	VIOLET/PINK	24	24	AO GND 16/17	
19	PINK/GRAY	58	58	AO 18	
	GRAY/PINK	59	59	AO GND 18/19	
20	ORANGE/YELLOW	25	25	AO 19	
	YELLOW/ORANGE	59	59	AO GND 18/19	
21	ORANGE/GREEN	60	60	AO 21	
	GREEN/ORANGE	27	27	AO GND 20/21	
22	ORANGE/BLUE	26	26	AO 20	
	BLUE/ORANGE	27	27	AO GND 20/21	
23	ORANGE/VIOLET	61	61	AO 22	
	VIOLET/ORANGE	62	62	AO GND 22/23	
24	ORANGE/GRAY	28	28	AO23	
	GRAY/ORANGE	62	62	AO GND 22/23	
25	YELLOW/GREEN	63	63	AO 25	
	GREEN/YELLOW	30	30	AO GND 24/25	

WIRE LIST (CONT.)					
ANALOG BUNDLE - 2X 16 TWISTED PAIRS			P1 .050	P2 VHDCI	SIGNAL NAME
BUNDLE	PAIR NO	COLOR CODE	PIN NO	PIN NO	
26	26	YELLOW/BLUE	29	29	AO 24
		BLUE/YELLOW	30	30	AO GND 24/25
27	27	YELLOW/VIOLET	64	64	AO 26
		VIOLET/YELLOW	65	65	AO GND 26/27
28	28	YELLOW/GRAY	31	31	AO 27
		GRAY/YELLOW	65	65	AO GND 26/27
29	29	GREEN/BLUE	66	66	AO 29
		BLUE/GREEN	33	33	AO GND 28/29
30	30	GREEN/VIOLET	32	32	AO 28
		VIOLET/GREEN	33	33	AO GND 28/29
31	31	GREEN/GRAY	67	67	AO 30
		GRAY/GREEN	68	68	AO GND 30/31
32	32	BLUE/VIOLET	34	34	AO 31
		VIOLET/BLUE	68	68	AO GND 30/31Z
OUTER SHIELD		SHELL	SHELL	SHIELD	



CONDUCTOR SPECIFICATIONS:

CONDUCTOR: 30AWG 7/38 TIN PLATED COPPER, .012 INCH DIAMETER
 INSULATION: .0075 INCHES OF POLYPROPYLENE, .027 INCH DIAMETER

1. REFER TO PRODUCT MANUAL ON NI.COM FOR MORE DETAILS.

NOTES: UNLESS OTHERWISE SPECIFIED.

TABLE 1	
LENGTH	TOLERANCE
<2M	+5 CM/-0 CM
2 TO 5M	+10 CM/-0 CM
>5M	+15 CM/-0 CM

CUSTOMER DRAWING

UNLESS OTHERWISE SPECIFIED DIMENSIONS ARE IN INCHES AND [MILLIMETERS]	NI.COM AUSTIN, TEXAS	TITLE	SHC68-68-A2
		DO NOT SCALE DRAWING THIRD ANGLE PROJECTION	
SIZE	CODE IDENT NO.	DRAWING NO.	
D	7U296	10/06/23	
SCALE: 1/1	SHEET 1 OF 1		