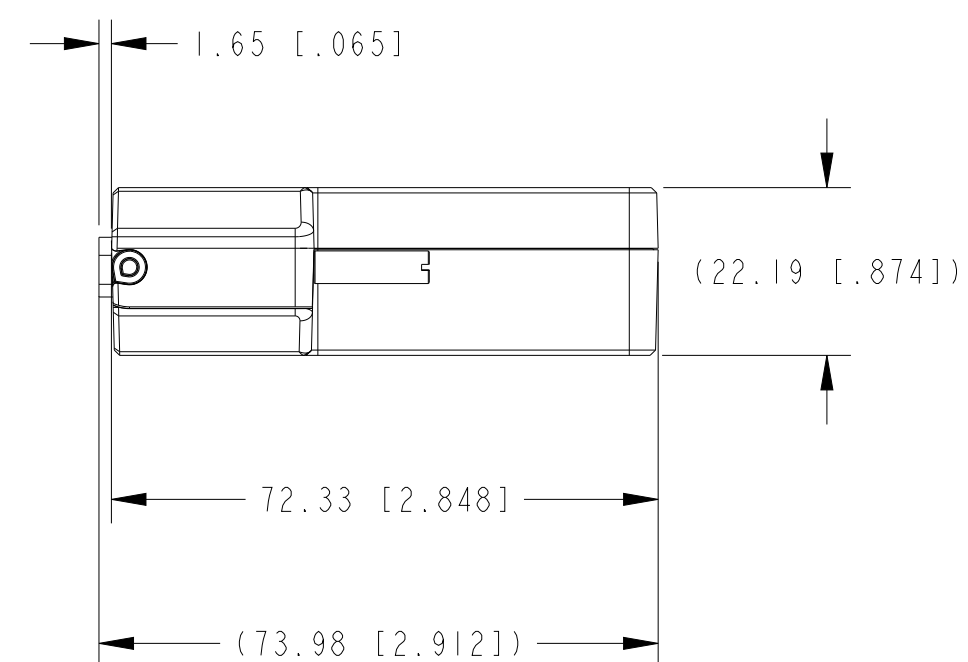
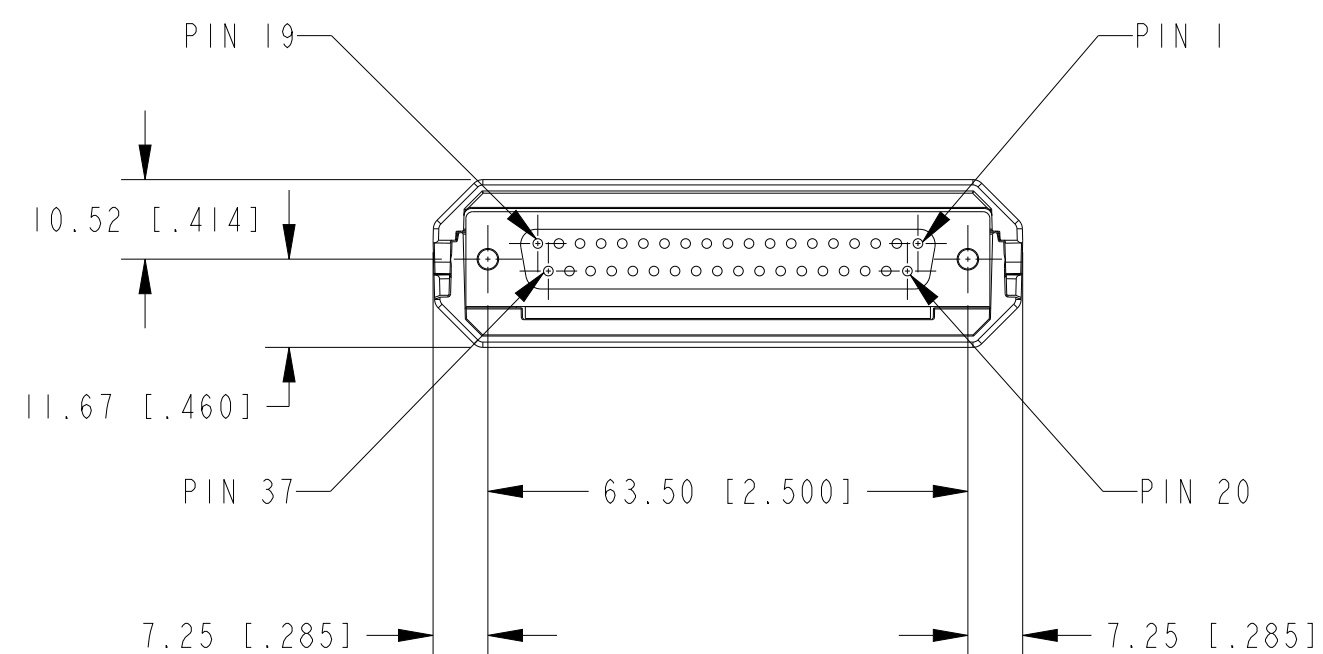
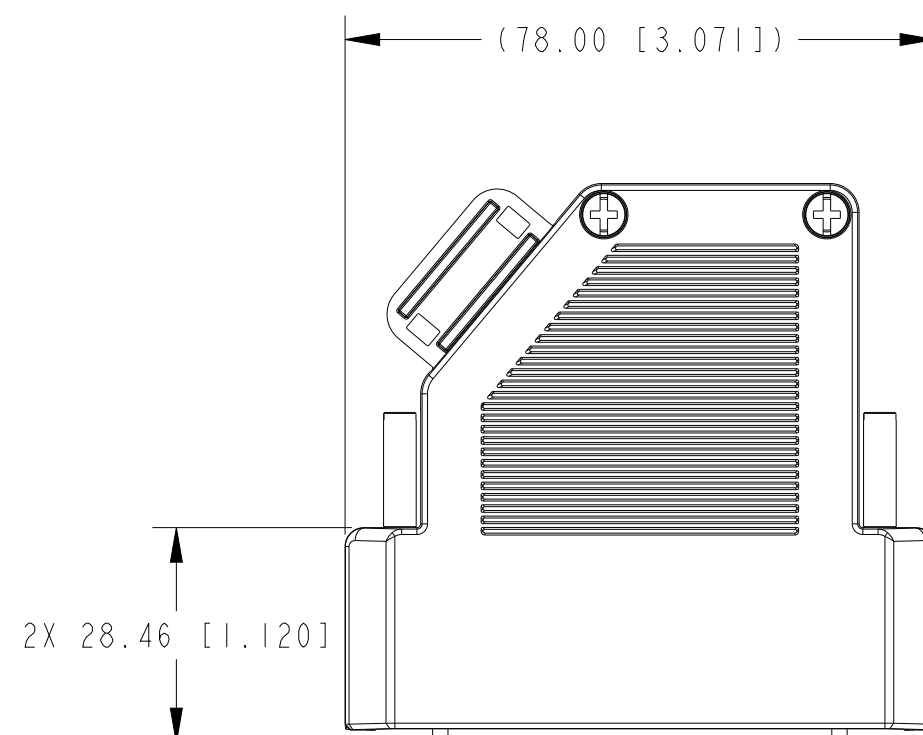


ISOMETRIC VIEW



METRIC

CUSTOMER DRAWING

UNLESS OTHERWISE SPECIFIED
 DIMENSIONS ARE IN MILLIMETERS
 AND [INCHES]

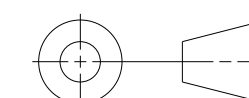


NI.COM
 AUSTIN, TEXAS

DO NOT SCALE DRAWING

TITLE
 NI 9923B TERMINAL BLOCK FOR
 CSERIES 37-PIN DSUB MODULES

THIRD ANGLE PROJECTION



SIZE CODE IDENT NO. MM/DD/YYYY
 C7U296 01/31/2022

SCALE: 1/1 SHEET 1 OF 1

2. DIMENSIONS IN () ARE FOR REFERENCE ONLY.
 1. REFER TO PRODUCT MANUAL ON NI.COM FOR MORE DETAILS
 NOTES: UNLESS OTHERWISE SPECIFIED.