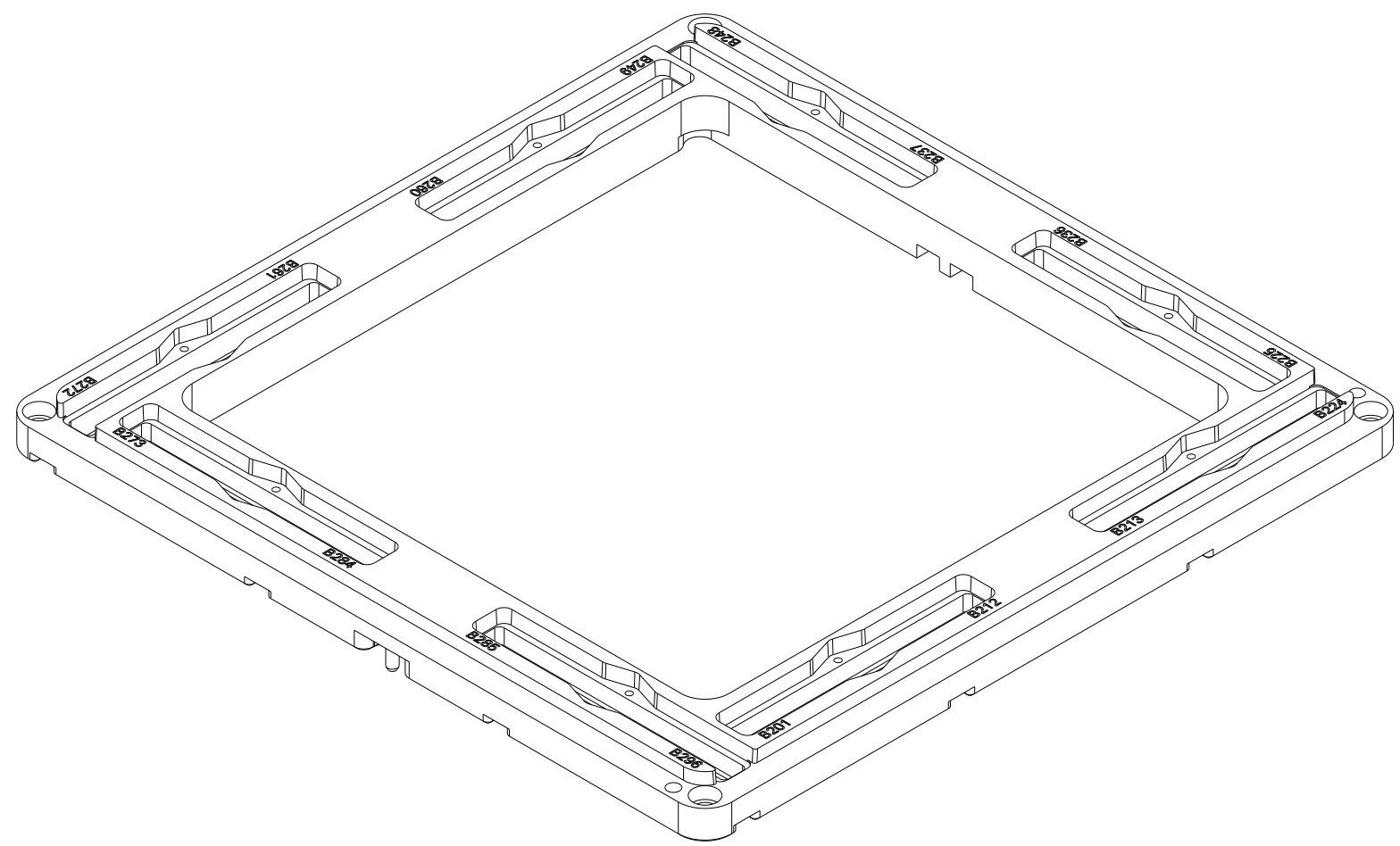
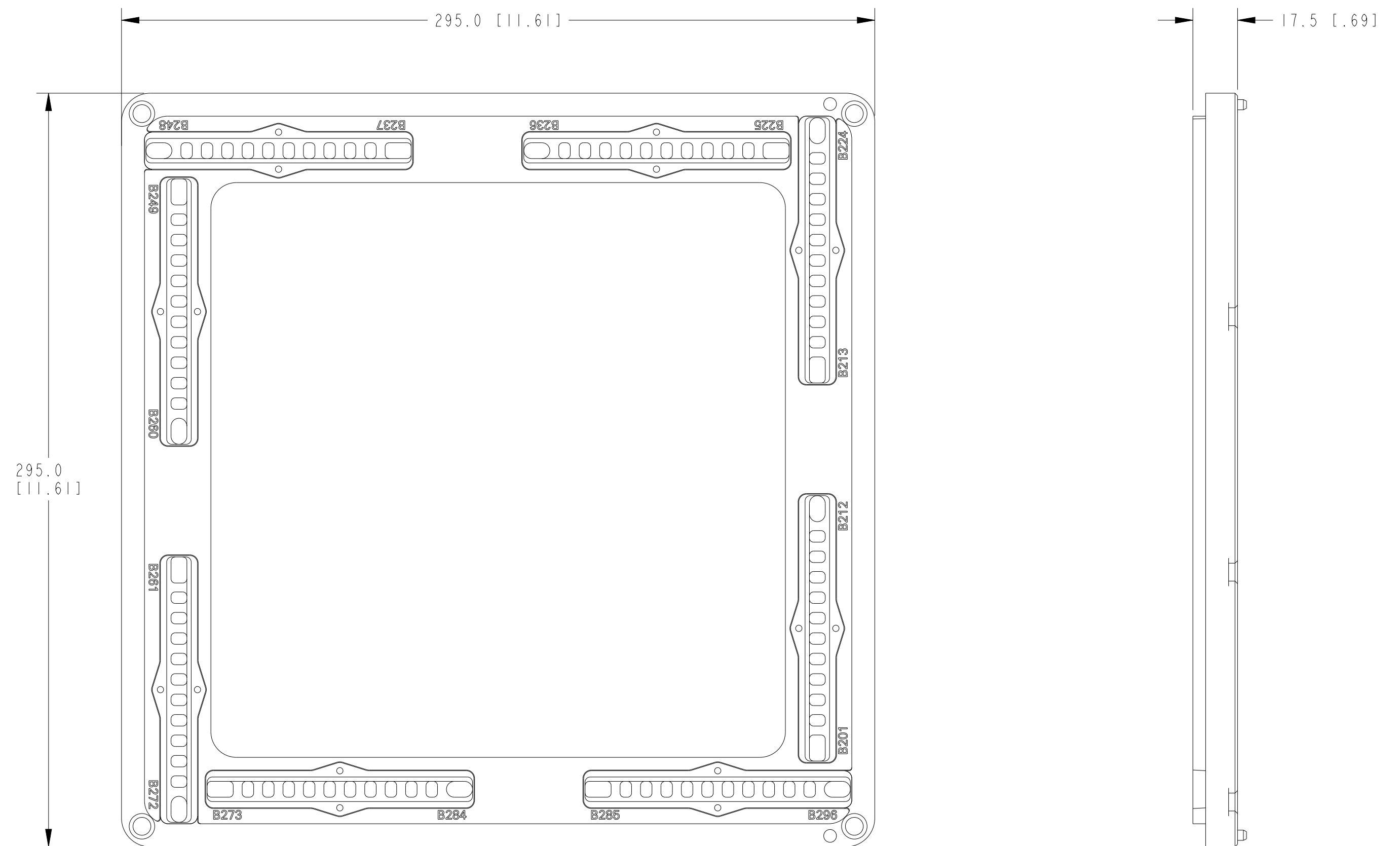


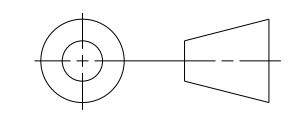
TOP ISOMETRIC VIEW
 SCALE 1/2



BOTTOM ISOMETRIC VIEW
 SCALE 1/2



1. REFER TO PRODUCT MANUAL ON NI.COM FOR MORE DETAILS
 NOTES: UNLESS OTHERWISE SPECIFIED.

METRIC		CUSTOMER DRAWING	
UNLESS OTHERWISE SPECIFIED DIMENSIONS ARE IN MILLIMETERS AND INCHES		NI.COM AUSTIN, TEXAS	
DO NOT SCALE DRAWING THIRD ANGLE PROJECTION		TITLE RF BLIND-MATE FLOATING PLATE, 12 POSITION GANGED RF CONNECTORS	
		SIZE CODE IDENT NO. MM/DD/YYYY D 7U296 06/30/2023	
SCALE: 2/3		SHEET 1 OF 1	