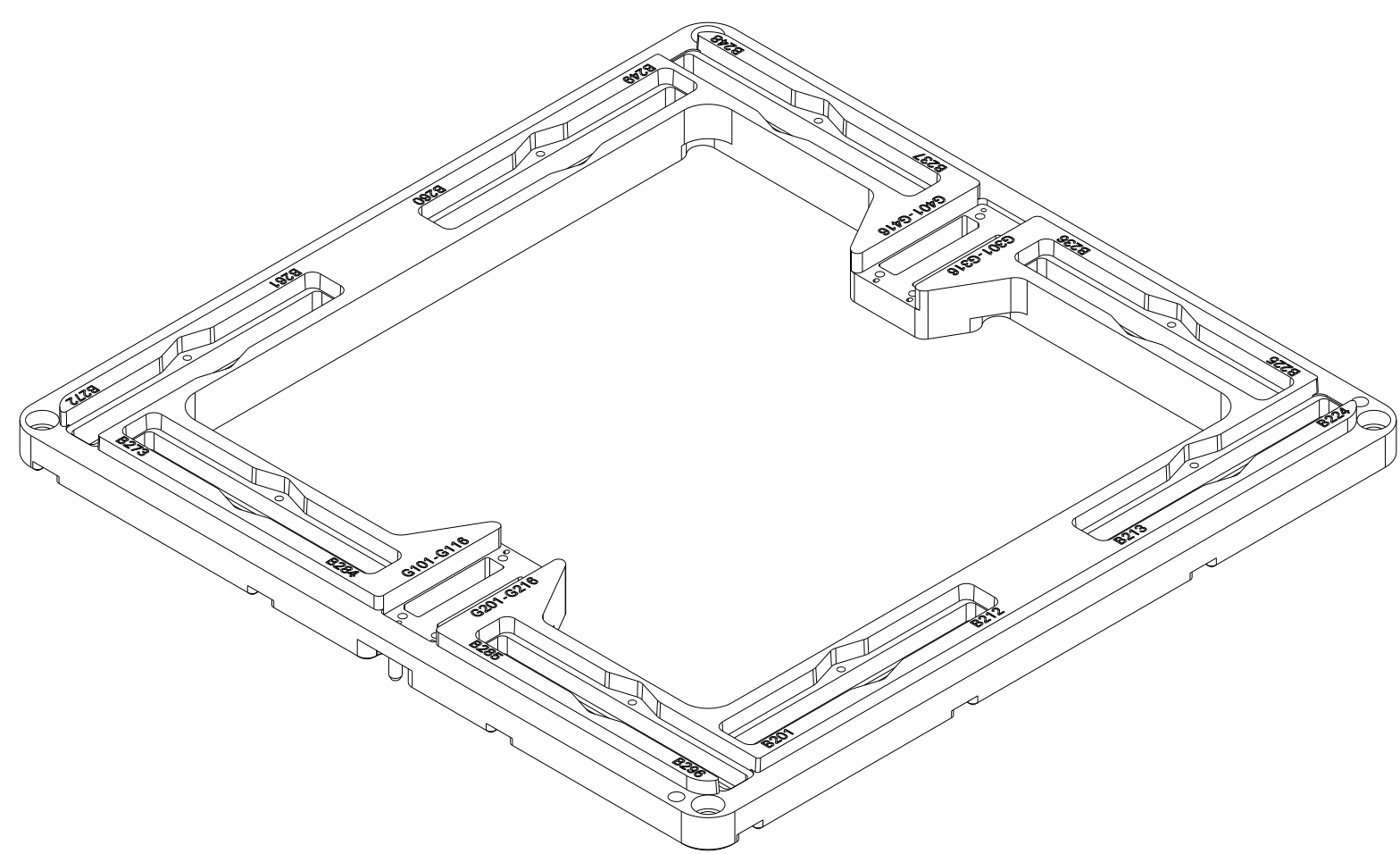
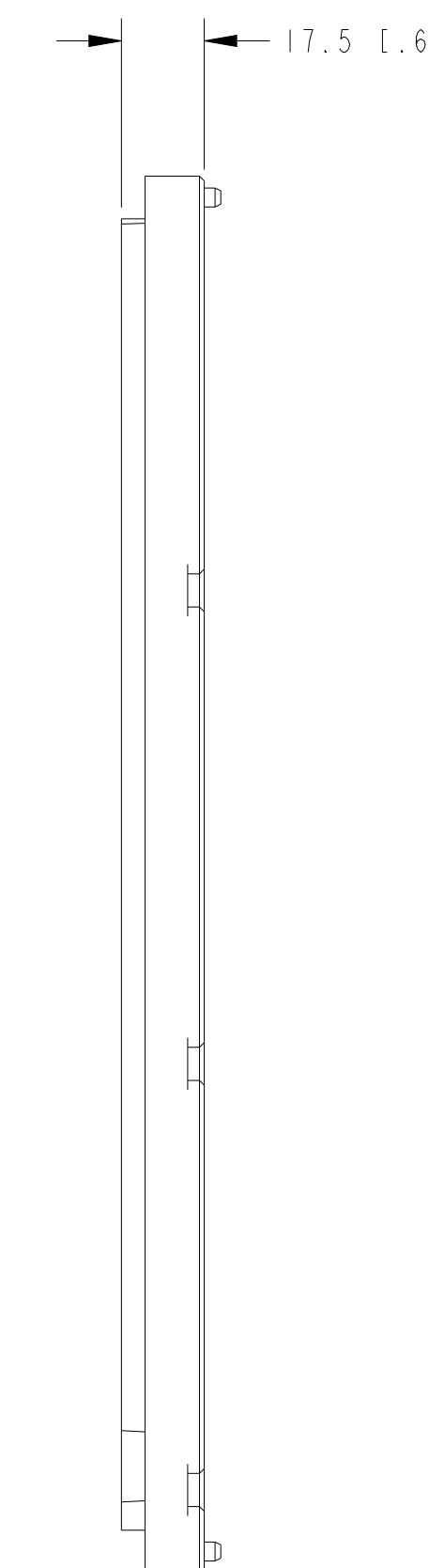
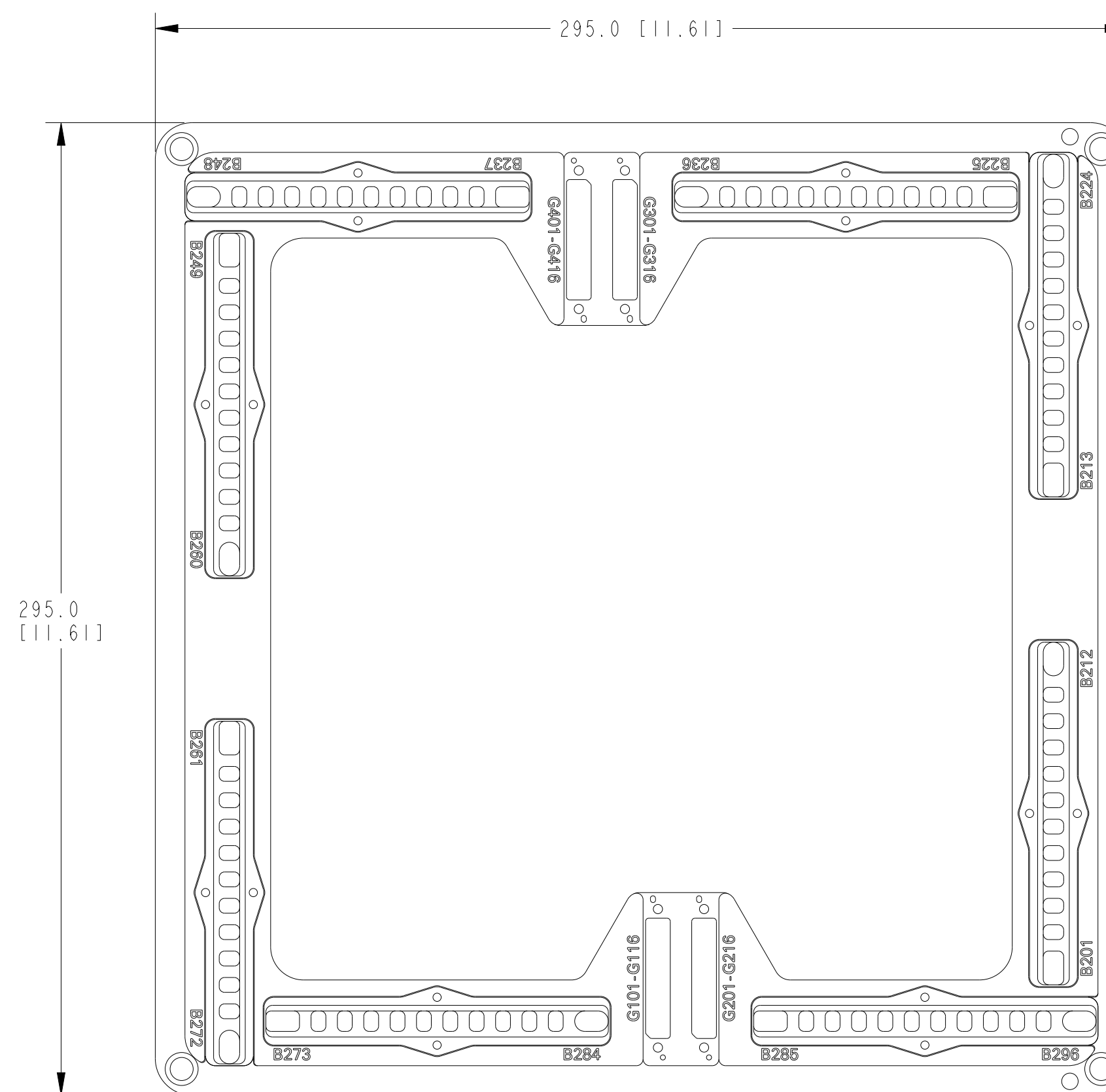


TOP ISOMETRIC VIEW  
 SCALE 1/2



BOTTOM ISOMETRIC VIEW  
 SCALE 1/2



1. REFER TO PRODUCT MANUAL ON NI.COM FOR MORE DETAILS  
 NOTES: UNLESS OTHERWISE SPECIFIED.

METRIC

CUSTOMER DRAWING

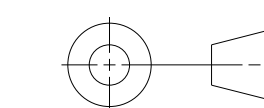
UNLESS OTHERWISE SPECIFIED  
 DIMENSIONS ARE IN MILLIMETERS  
 AND [INCHES]



NI.COM  
 AUSTIN, TEXAS

DO NOT SCALE DRAWING  
 THIRD ANGLE PROJECTION

TITLE  
 RF BLIND-MATE FLOATING  
 PLATE, 12 POSITION GANGED RF  
 CONNECTORS, WITH GHBM CONNECTOR



SIZE CODE IDENT NO. MM/DD/YYYY  
 D 7U296 06/30/2023

SCALE: 2/3

SHEET 1 OF 1