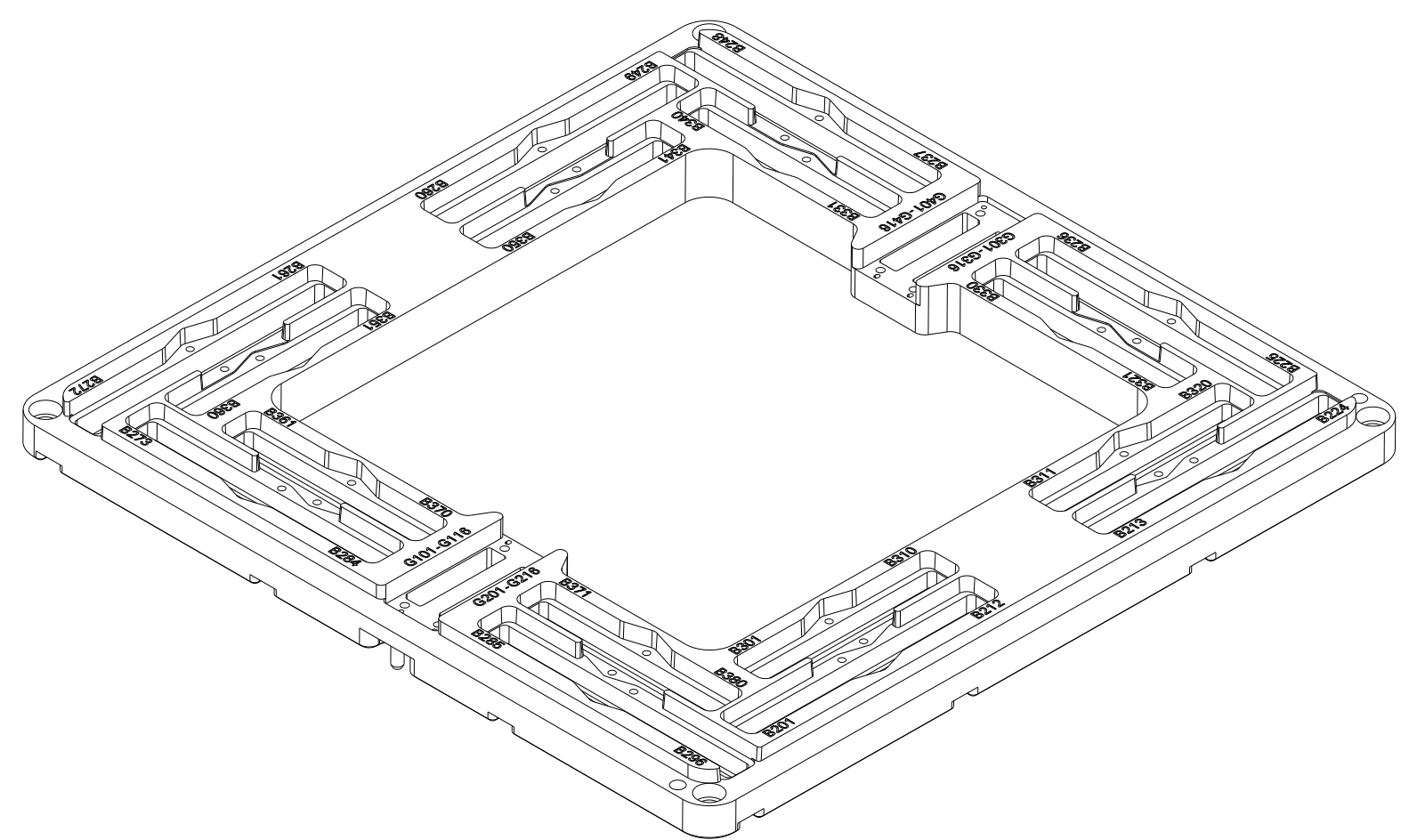
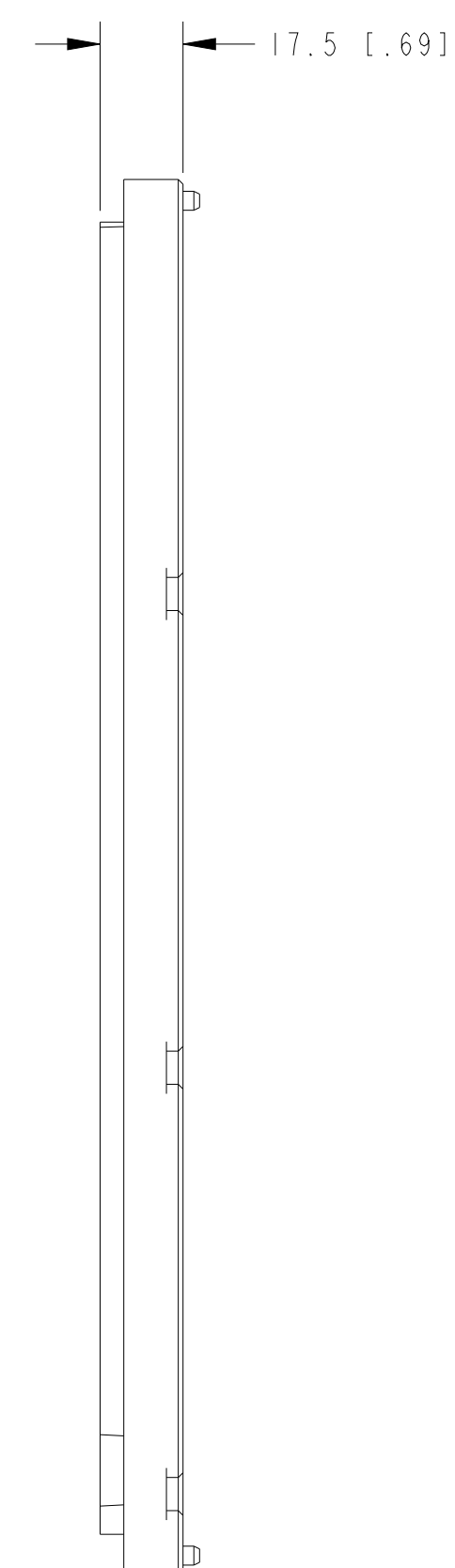
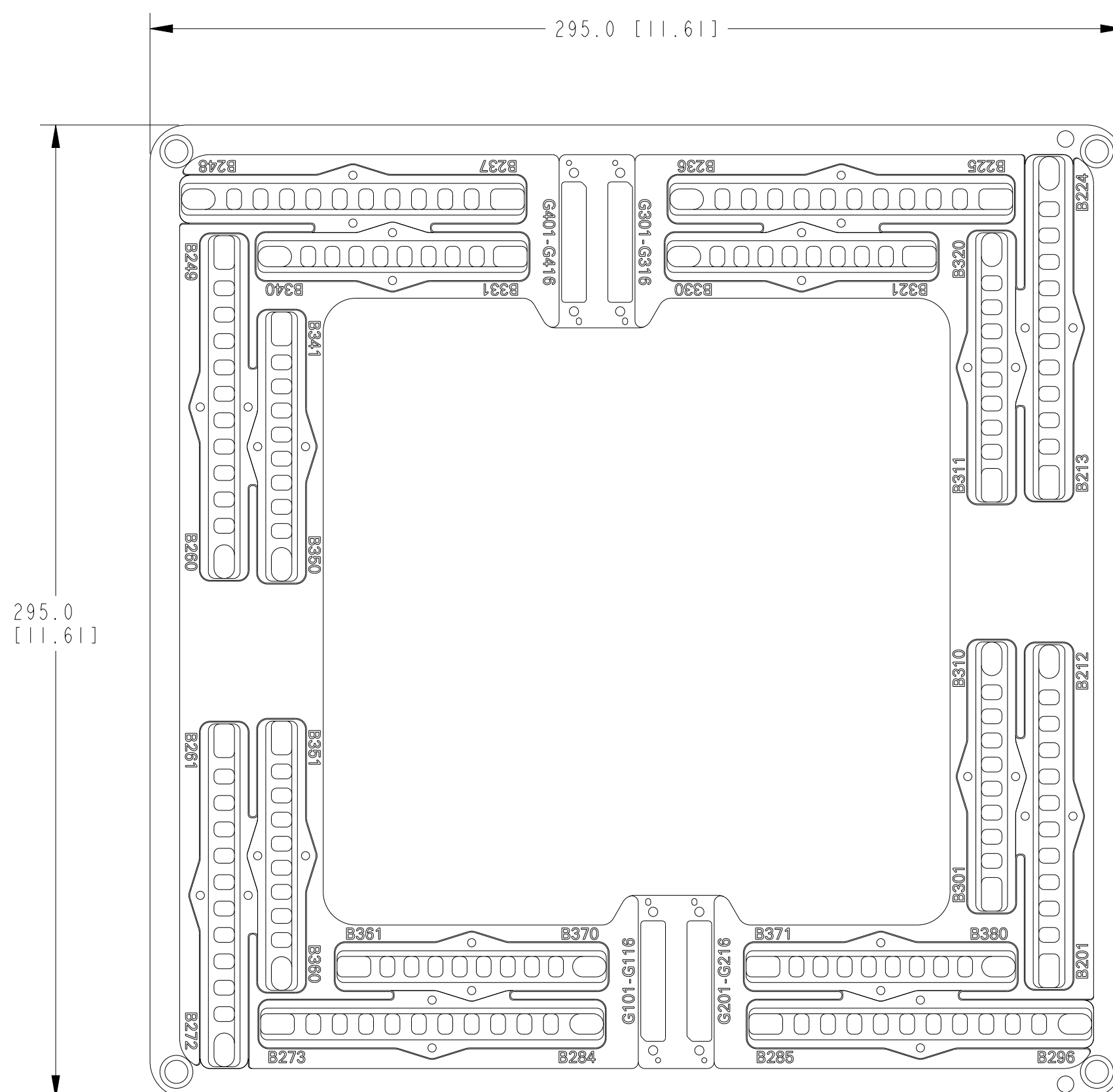


TOP ISOMETRIC VIEW
 SCALE 1/2



BOTTOM ISOMETRIC VIEW
 SCALE 1/2



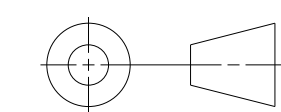
1. REFER TO PRODUCT MANUAL ON NI.COM FOR MORE DETAILS
 NOTES: UNLESS OTHERWISE SPECIFIED.

METRIC

CUSTOMER DRAWING

UNLESS OTHERWISE SPECIFIED
 DIMENSIONS ARE IN MILLIMETERS
 AND [INCHES]

DO NOT SCALE DRAWING
 THIRD ANGLE PROJECTION



NI.COM
 AUSTIN, TEXAS

TITLE
 RF BLIND-MATE FLOATING PLATE,
 12 AND 10 POSITION GANGED RF
 CONNECTORS, WITH GHBM CONNECTOR

SIZE CODE IDENT NO | MM/DD/YYYY
 D | 7U296 | 06/30/2023

SCALE: 2/3 SHEET 1 OF 1