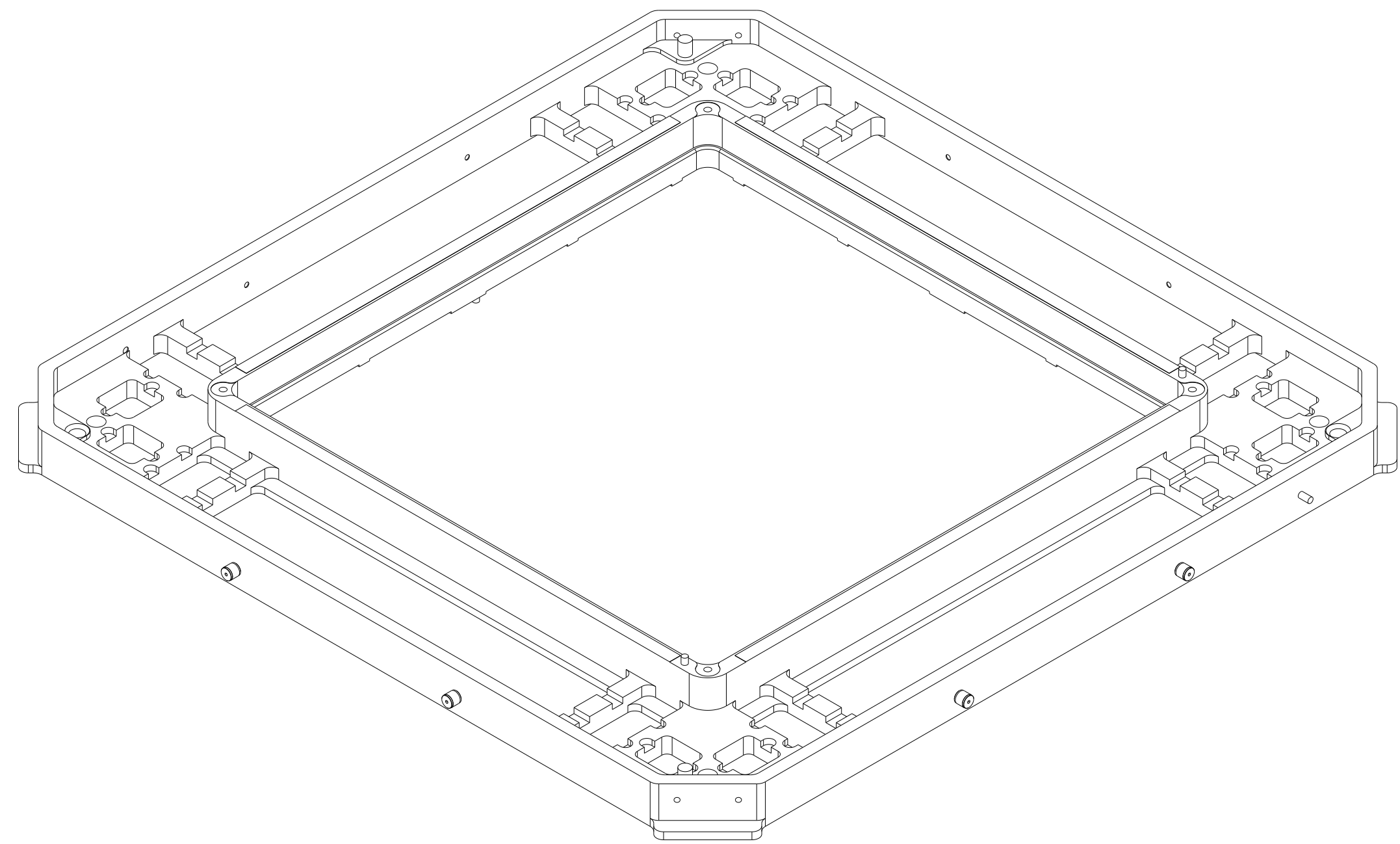
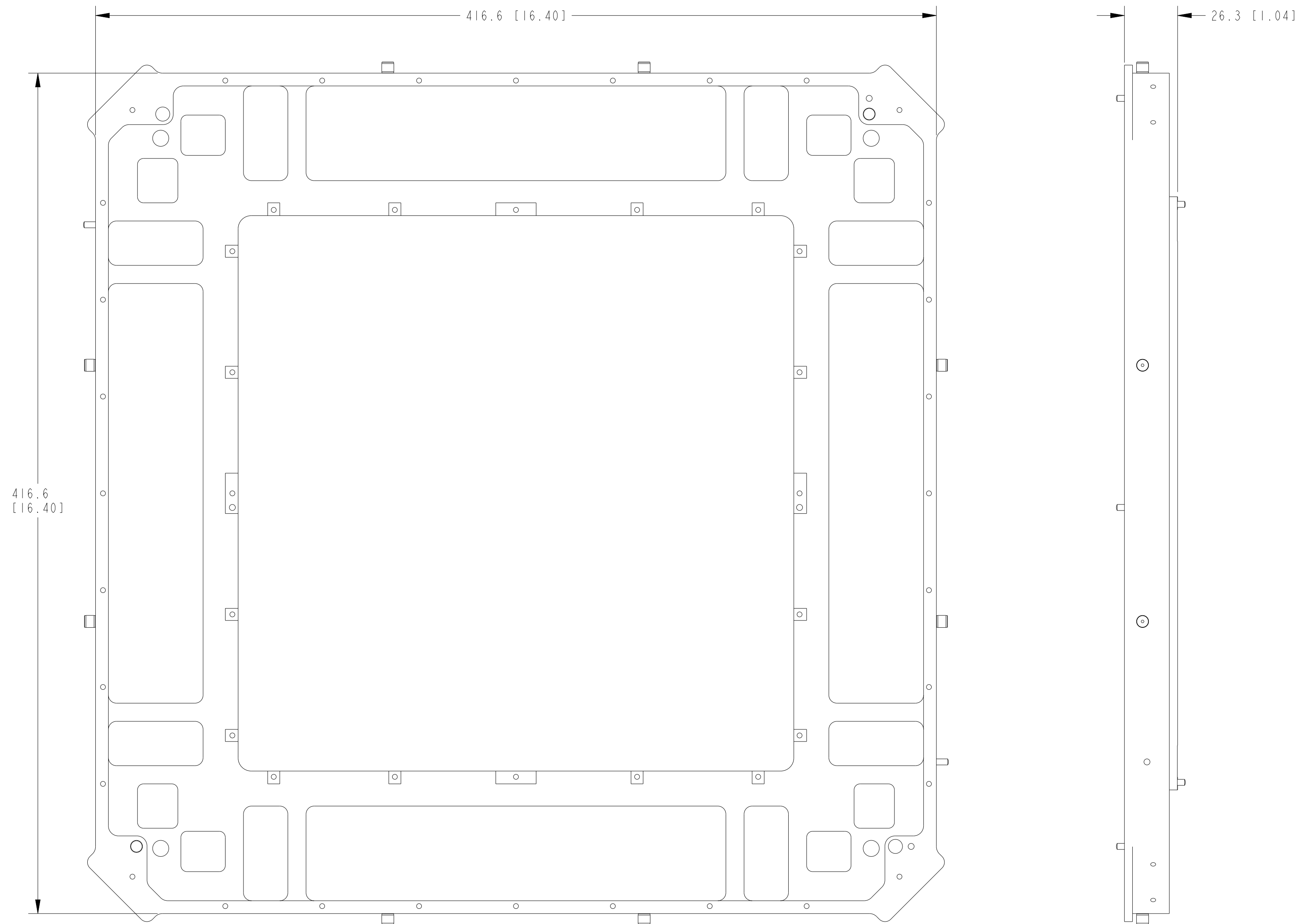


TOP ISOMETRIC VIEW
 SCALE 1/2



BOTTOM ISOMETRIC VIEW
 SCALE 1/2



1. REFER TO PRODUCT MANUAL ON NI.COM FOR MORE DETAILS
 NOTES: UNLESS OTHERWISE SPECIFIED.

METRIC

CUSTOMER DRAWING

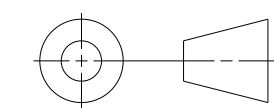
UNLESS OTHERWISE SPECIFIED
 DIMENSIONS ARE IN MILLIMETERS
 AND [INCHES]



NI.COM
 AUSTIN, TEXAS

DO NOT SCALE DRAWING
 THIRD ANGLE PROJECTION

TITLE
**STIFFENER WITH INTEGRATED RF
 BRACKET FOR NI STS DX INTERFACE
 BOARD, UP TO 176 RF PORTS**



SIZE CODE IDENT NO. | MM/DD/YYYY
D | 7U296 | 07/10/2023

SCALE: 2/3

SHEET 1 OF 1