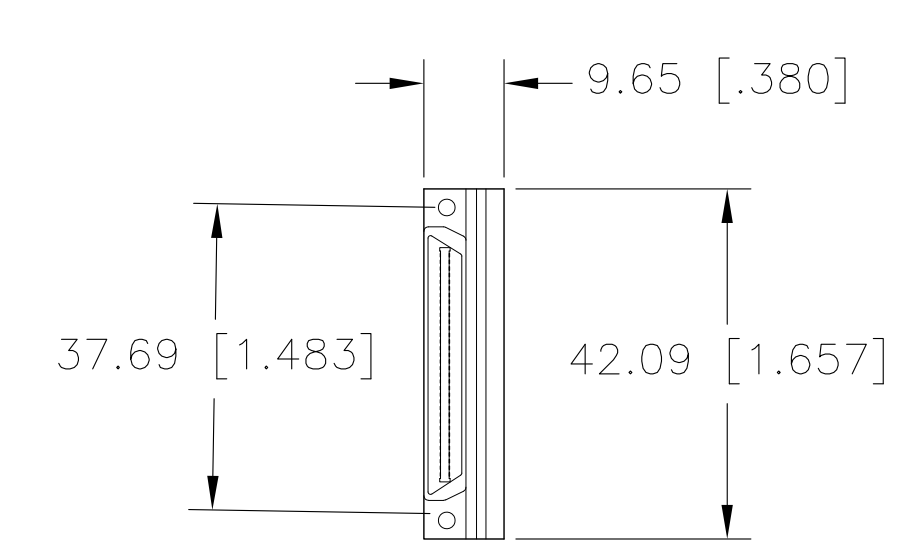


LENGTH	TOLERANCE
<2M	+5CM/-0CM
2 TO 5M	+10CM/-0CM
>5M	+15CM/-0CM

REF DES	DESCRIPTION
P1,P2,P3,P4,P5,P6	HIROSE IX INDUSTRIAL (OR OTHER IEC 61076-3-124) CONNECTOR, FEMALE, TYPE B
P7	68-POSITION VHDCI, MALE, DUAL-SIDED IDC

ITEM	CONSTRUCTION	CONDUCTORS	INSULATION	JACKET
2	8 TWISTED PAIRS, WITH OVERALL SHIELD	30 AWG TINNED STRANDED COPPER (7/0.10MM, 0.30MM OD)	0.15MM THICK SRPVC, 0.6MM OD	1.00MM THICK PVC, 6.70MM OD
3	4 SHIELDED TWISTED PAIRS, WITH OVERALL SHIELD	30 AWG TINNED STRANDED COPPER (7/0.10MM, 0.30MM OD)	0.15MM THICK SRPVC, 0.6MM OD	0.76MM THICK PVC, 5.50MM OD



² PRODUCT AND COMPANY NAMES MENTIONED ARE TRADEMARKS OR TRADE NAMES OF THEIR RESPECTIVE COMPANIES.
 1. REFER TO PRODUCT MANUAL ON NI.COM FOR MORE DETAILS.
 NOTES: UNLESS OTHERWISE SPECIFIED.

METRIC		CUSTOMER DRAWING	
UNLESS OTHERWISE SPECIFIED DIMENSIONS ARE IN MILLIMETERS AND [INCHES]		NI.COM AUSTIN, TEXAS	
DO NOT SCALE DRAWING THIRD ANGLE PROJECTION		TITLE SHC68M-6IXBF RMIO	
SCALE: 1/1		SIZE CODE IDENT NO. MM/DD/YYYY D 7U296 08/22/2023	
		SHEET 1 OF 2	

WIRE LIST 

LEAD DESCRIPTION	CABLE TYPE ITEM NUMBER	PAIR	P7 (VHDCI)	SIGNAL - VHDCI (RMIO)	SIGNAL - IX	COND.	COLOR	P1	P2	P3	P4	P5	P6		
LEAD 1 (DIO 0 to 7)	2	0	36	DIO0	A	C0	RED	1							
			2	DGND	I (REF)	C1	WHITE	3							
		1	37	DIO1	B	C2	BROWN	2							
			2	DGND	I (REF)	C3	WHITE	3							
		2	38	DIO2	C	C4	ORANGE	4							
			3	DGND	I (REF)	C5	WHITE	3							
		3	39	DIO3	D	C6	YELLOW	5							
			3	DGND	I (REF)	C7	WHITE	3							
		4	40	DIO4	E	C8	GREEN	6							
			4	DGND	J (AUX)	C9	WHITE	8							
		5	41	DIO5	F	C10	BLUE	7							
			4	DGND	J (AUX)	C11	WHITE	8							
		6	42	DIO6	G	C12	VILOET	9							
			5	DGND	J (AUX)	C13	WHITE	8							
		7	43	DIO7	H	C14	GREY	10							
5	DGND		J (AUX)	C15	WHITE	8									
N/A	SHELL	CHSGND	CHSGND	CHSGND	OUTER SHIELD	SHIELD/DRAIN	SHELL								
LEAD 2 (DIO 8 to 15)	2	0	10	DIO8	A	C16	RED		1						
			6	DGND	I (REF)	C17	WHITE	3							
		1	44	DIO9	B	C18	BROWN	2							
			6	DGND	I (REF)	C19	WHITE	3							
		2	11	DIO10	C	C20	ORANGE	4							
			7	DGND	I (REF)	C21	WHITE	3							
		3	45	DIO11	D	C22	YELLOW	5							
			7	DGND	I (REF)	C23	WHITE	3							
		4	12	DIO12	E	C24	GREEN	6							
			8	DGND	J (AUX)	C25	WHITE	8							
		5	46	DIO13	F	C26	BLUE	7							
			8	DGND	J (AUX)	C27	WHITE	8							
		6	13	DIO14	G	C28	VILOET	9							
			9	DGND	J (AUX)	C29	WHITE	8							
		7	47	DIO15	H	C30	GREY	10							
9	DGND		J (AUX)	C31	WHITE	8									
N/A	SHELL	CHSGND	CHSGND	CHSGND	OUTER SHIELD	SHIELD/DRAIN	SHELL								
LEAD 3 (AO 0 to 3)	3	0	55	AO0	A	C32	RED			1					
			21	AO GND 0/1	B	C33	WHITE			2					
		1	SHELL	CHSGND	CHSGND	SHIELD_0	SHIELD/DRAIN	SHELL							
			54	AO1	C	C34	BROWN	4							
		2	20	AO GND 0/1	D	C35	WHITE	5							
			SHELL	CHSGND	CHSGND	SHIELD_1	SHIELD/DRAIN	SHELL							
		3	53	AO2	E	C36	ORANGE	6							
			19	AO GND 2/3	F	C37	WHITE	7							
		4	SHELL	CHSGND	CHSGND	SHIELD_2/DRAIN	SHIELD/DRAIN	SHELL							
			52	AO3	G	C38	YELLOW	9							
		5	18	AO GND 2/3	H	C39	WHITE	10							
			SHELL	CHSGND	CHSGND	SHIELD_3/DRAIN	SHIELD/DRAIN	SHELL							
		N/A	SHELL	CHSGND	CHSGND	OUTER SHIELD/DRAIN	SHIELD/DRAIN	SHELL							
		LEAD 4 (AO 4 to 7)	3	0	51	AO4	A	C40	RED				1		
					17	AO GND 4/5	B	C41	WHITE				2		
1	SHELL			N/A	CHSGND	SHIELD_4/DRAIN	SHIELD/DRAIN	SHELL							
	50			AO5	C	C42	BROWN	4							
2	16			AO GND 4/5	D	C43	WHITE	5							
	SHELL			N/A	CHSGND	SHIELD_5/DRAIN	SHIELD/DRAIN	SHELL							
3	49			AO6	E	C44	ORANGE	6							
	15			AO GND 6/7	F	C45	WHITE	7							
4	SHELL			N/A	CHSGND	SHIELD_6/DRAIN	SHIELD/DRAIN	SHELL							
	48			AO7	G	C46	YELLOW	9							
5	14			AO GND 6/7	H	C47	WHITE	10							
	SHELL			N/A	CHSGND	SHIELD_7/DRAIN	SHIELD/DRAIN	SHELL							
N/A	SHELL			N/A	CHSGND	OUTER SHIELD/DRAIN	SHIELD/DRAIN	SHELL							
LEAD 5 (AI 0 to 3)	3			0	68	AI0+	A	C48	RED					1	
					34	AI0-	B	C49	WHITE					2	
		1	67	AIGND0	I (REF)	SHIELD_0	SHIELD/DRAIN					3			
			66	AI1+	C	C50	BROWN					4			
		2	32	AI1-	D	C51	WHITE					5			
			33	AIGND1	I (REF)	SHIELD_1	SHIELD/DRAIN					3			
		3	65	AI2+	E	C52	ORANGE					6			
			31	AI2-	F	C53	WHITE					7			
		4	64	AIGND2	J (AUX)	SHIELD_2	SHIELD/DRAIN					8			
			63	AI3+	G	C54	YELLOW					9			
		5	29	AI3-	H	C55	WHITE					10			
			30	AIGND3	J (AUX)	SHIELD_3	SHIELD/DRAIN					8			
		N/A	SHELL	CHSGND	CHSGND	OUTER SHIELD	SHIELD/DRAIN					SHELL			
		LEAD 6 (AI 4 to 7)	3	0	62	AI4+	A	C56	RED						1
					28	AI4-	B	C57	WHITE					2	
1	61			AIGND4	I (REF)	SHIELD_4	SHIELD/DRAIN					3			
	60			AI5+	C	C58	BROWN					4			
2	26			AI5-	D	C59	WHITE					5			
	27			AIGND5	I (REF)	SHIELD_5	SHIELD/DRAIN					3			
3	59			AI6+	E	C60	ORANGE					6			
	25			AI6-	F	C61	WHITE					7			
4	58			AIGND6	J (AUX)	SHIELD_6	SHIELD/DRAIN					8			
	57			AI7+	G	C62	YELLOW					9			
5	23			AI7-	H	C63	WHITE					10			
	24			AIGND7	J (AUX)	SHIELD_7	SHIELD/DRAIN					8			
N/A	SHELL			CHSGND	CHSGND	OUTER SHIELD	SHIELD/DRAIN					SHELL			