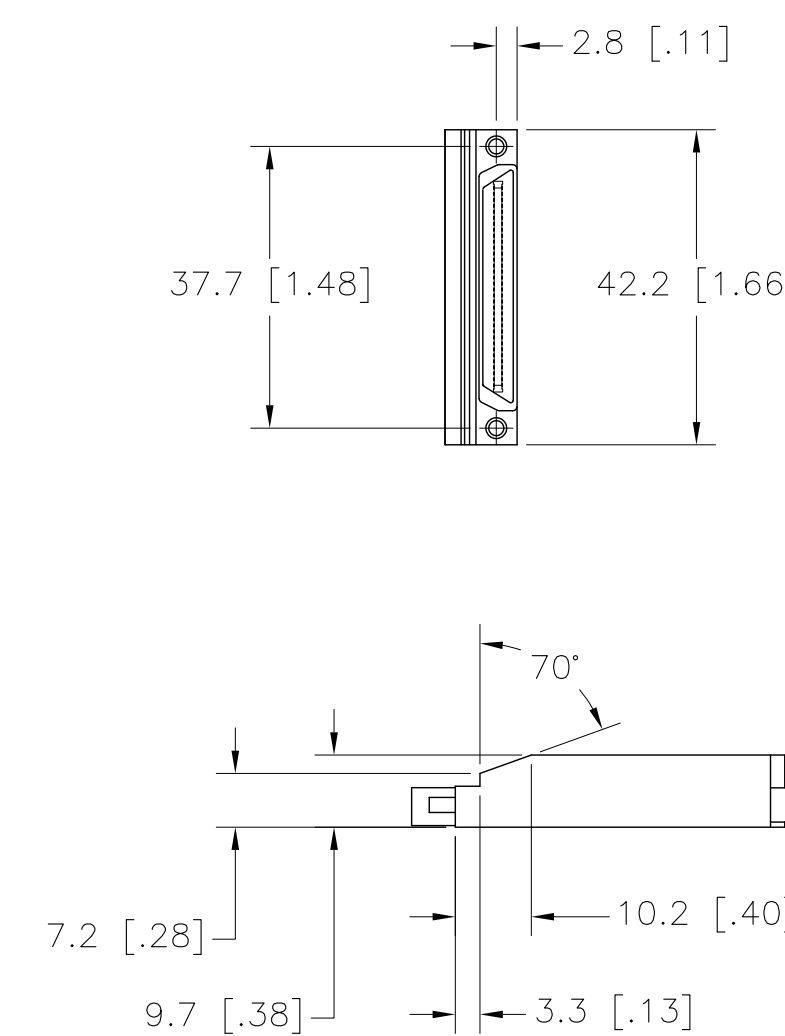


MINIMUM BEND RADIUS

WIRE LIST: GROUP A				
P1 68-POS VHDCI CONN	SHIELDED CABLE 22 TWISTED SHIELDED PAIRS	P2 68-POS VHDCI CONN	SIGNAL NAME	
PIN	PAIR	COLOR CODE	PIN	
2	1 A	WHITE/TAN	2	D0+
3	1 B	TAN/WHITE	3	D0-
1	DRAIN-1		1	GND
5	2 A	WHITE/BROWN	5	D2+
6	2 B	BROWN/WHITE	6	D2-
4	DRAIN-2		4	GND
8	3 A	WHITE/PINK	8	D4+
9	3 B	PINK/WHITE	9	D4-
7	DRAIN-3		7	GND
11	4 A	WHITE/ORANGE	11	D6+
12	4 B	ORANGE/WHITE	12	D6-
10	DRAIN-4		10	GND
14	5 A	WHITE/YELLOW	14	D8+
15	5 B	YELLOW/WHITE	15	D8-
16	DRAIN-5		16	GND
17	6 A	WHITE/GREEN	17	D10+
18	6 B	GREEN/WHITE	18	D10-
19	DRAIN-6		19	GND
20	7 A	WHITE/BLUE	20	D12+
21	7 B	BLUE/WHITE	21	D12-
22	DRAIN-7		22	GND
23	8 A	WHITE/VIOLET	23	D14+
24	8 B	VIOLET/WHITE	24	D14-
25	DRAIN-8		25	GND
26	9 A	WHITE/GRAY	26	DDC_CLK_IN+
27	9 B	GRAY/WHITE	27	DDC_CLK_IN-
28	DRAIN-9		28	GND
29	10 A	TAN/BROWN	29	PFI(2)+
30	10 B	BROWN/TAN	30	PFI(2)-
31	DRAIN-10		31	GND
32	11 A	TAN/PINK	32	PFI(3)+
33	11 B	PINK/TAN	33	PFI(3)-
34	DRAIN-11		34	GND
13	SINGLE 1	TAN/ORANGE	13	+3.3

WIRE LIST: GROUP B				
P1 68-POS VHDCI CONN	SHIELDED CABLE 22 TWISTED SHIELDED PAIRS	P2 68-POS VHDCI CONN	SIGNAL NAME	
PIN	PAIR	COLOR CODE	PIN	
37	12 A	WHITE/TAN	37	D1+
38	12 B	TAN/WHITE	38	D1-
36	DRAIN-12		36	GND
40	13 A	WHITE/BROWN	40	D3+
41	13 B	BROWN/WHITE	41	D3-
39	DRAIN-13		39	GND
43	14 A	WHITE/PINK	43	D5+
44	14 B	PINK/WHITE	44	D5-
42	DRAIN-14		42	GND
46	15 A	WHITE/ORANGE	46	D7+
47	15 B	ORANGE/WHITE	47	D7-
45	DRAIN-15		45	GND
49	16 A	WHITE/YELLOW	49	D9+
50	16 B	YELLOW/WHITE	50	D9-
48	DRAIN-16		48	GND
52	17 A	WHITE/GREEN	52	D11+
53	17 B	GREEN/WHITE	53	D11-
51	DRAIN-17		51	GND
55	18 A	WHITE/BLUE	55	D13+
56	18 B	BLUE/WHITE	56	D13-
54	DRAIN-18		54	GND
58	19 A	WHITE/VIOLET	58	D15+
59	19 B	VIOLET/WHITE	59	D15-
57	DRAIN-19		57	GND
61	20 A	WHITE/GRAY	61	DDC_CLK_OUT+
62	20 B	GRAY/WHITE	62	DDC_CLK_OUT-
60	DRAIN-20		60	GND
64	21 A	TAN/BROWN	64	PFI(4)+
65	21 B	BROWN/TAN	65	PFI(4)-
63	DRAIN-21		63	GND
67	22 A	TAN/PINK	67	PFI(5)+
68	22 B	PINK/TAN	68	PFI(5)-
66	DRAIN-22		66	GND
35	SINGLE 1	TAN/ORANGE	35	GND
SHELL	GND	OUTER SHIELD	SHELL	SHIELD



LENGTH	TOLERANCE
<2M	+5 CM/-0 CM
2 TO 5M	+10 CM/-0 CM
>5M	+15 CM/-0 CM

1. REFER TO PRODUCT MANUAL ON NI.COM FOR MORE DETAILS.  
NOTES: UNLESS OTHERWISE SPECIFIED.

NOTE: WIRE LIST COLORS MAY NOT BE ACCURATE  
AS RAW CABLE TYPE MAY BE CHANGED DURING PRODUCTION.

<b>METRIC</b>		CUSTOMER DRAWING	
UNLESS OTHERWISE SPECIFIED DIMENSIONS ARE IN MILLIMETERS AND [INCHES]		NI.COM AUSTIN, TEXAS	
DO NOT SCALE DRAWING THIRD ANGLE PROJECTION		TITLE SHC68-C68-D3	
SCALE: 1/1		SIZE CODE IDENT NO. MM/DD/YYYY D 7U296 07/10/2023	
		SHEET 1 OF 1	