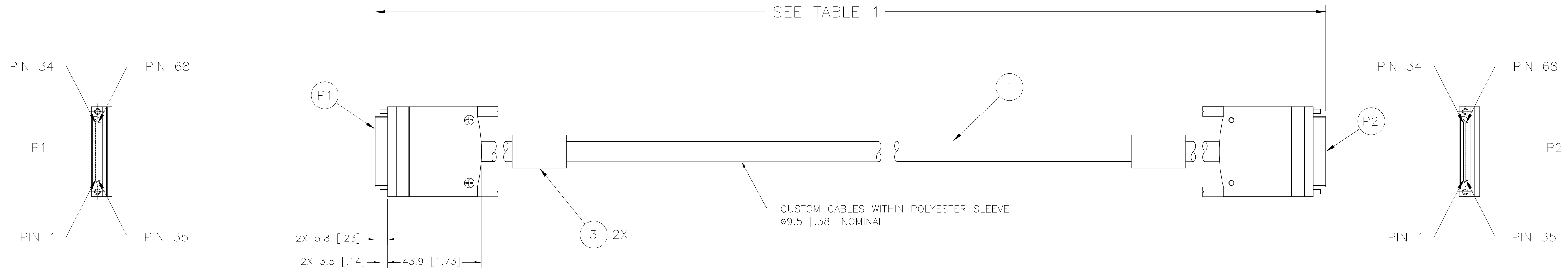


CUSTOMER DRAWING COMPATIBILITY			
REV	DESCRIPTION	DATE	APPROVED
F	DRAWING NOT COMPATIBLE, OBSOLETE	10/29/23	
G	DRAWING COMPATIBLE, RELEASED	10/16/23	



WIRE LIST				
PAIR	SIGNAL	COLOR MAIN/STRIPE	P1	P2
1	CH23-	BLACK	1	1
	CH23+	BLACK/WHITE	35	35
2	CH22-	BROWN	2	2
	CH22+	BROWN/WHITE	36	36
3	CH21-	RED	3	3
	CH21+	RED/WHITE	37	37
4	CH20-	ORANGE	4	4
	CH20+	ORANGE/WHITE	38	38
5	CH19-	YELLOW	5	5
	CH19+	YELLOW/WHITE	39	39
6	CH18-	GREEN	6	6
	CH18+	GREEN/WHITE	40	40
7	GND	BLUE	7	7
	VOLTCOMP	BLUE/WHITE	41	41
8	+5V	PURPLE	8	8
	SCANADV	PURPLE/WHITE	42	42
9	OUT3-	GRAY	9	9
	OUT3+	GRAY/BROWN	43	43
10	OUT2-	BROWN/BLACK	10	10
	OUT2+	BLACK/YELLOW	44	44
11	CH17-	RED/BLACK	11	11
	CH17+	RED/YELLOW	45	45
12	CH16-	ORANGE/BLACK	12	12
	CH16+	ORANGE/YELLOW	46	46
13	CH15-	YELLOW/BLACK	13	13
	CH15+	BROWN/YELLOW	47	47
14	CH14-	GREEN/BLACK	14	14
	CH14+	GREEN/YELLOW	48	48
15	CH13-	BLUE/BLACK	15	15
	CH13+	BLUE/YELLOW	49	49
16	CH12-	PURPLE/BLACK	16	16
	CH12+	PURPLE/YELLOW	50	50
17	AB2-	GRAY/BLACK	17	17
	AB2+	GRAY/YELLOW	51	51

WIRE LIST (CONT.)				
PAIR	SIGNAL	COLOR MAIN/STRIPE	P1	P2
18	AB0-	WHITE/BLACK	18	18
	AB0+	WHITE/YELLOW	52	52
19	CH11-	BLACK/RED	19	19
	CH11+	BLACK/BLUE	53	53
20	CH10-	BROWN/RED	20	20
	CH10+	BROWN/BLUE	54	54
21	CH9-	ORANGE/RED	21	21
	CH9+	RED/BLUE	55	55
22	AISENSE	YELLOW/RED	22	22
	CHSGND	YELLOW/BLUE	56	56
23	CH8-	GREEN/RED	23	23
	CH8+	GREEN/BLUE	57	57
24	CH7-	BLUE/RED	24	24
	CH7+	ORANGE/BLUE	58	58
25	CH6-	PURPLE/RED	25	25
	CH6+	PURPLE/BLUE	59	59
26	OUT1-	GRAY/RED	26	26
	OUT1+	GRAY/BLUE	60	60
27	OUT0-	WHITE/RED	27	27
	OUT0+	WHITE/BLUE	61	61
28	CH5-	BLACK/BORWN	28	28
	CH5+	BLACK/GREEN	62	62
29	CH4-	YELLOW/BROWN	29	29
	CH4+	BROWN/GREEN	63	63
30	CH3-	RED/BROWN	30	30
	CH3+	RED/GREEN	64	64
31	CH2-	ORANGE/BROWN	31	31
	CH2+	ORANGE/GREEN	65	65
32	CH1-	GREEN/BROWN	32	32
	CH1+	YELLOW/GREEN	66	66
33	CH0-	BLUE/BROWN	33	33
	CH0+	BLUE/GREEN	67	67
34	CIS0-	PURPLE/BROWN	34	34
	CIS0+	PURPLE/GREEN	68	68
SHIELD	OUTER SHIELD	SHELL	SHELL	SHELL

CONNECTORS AND HARDWARE	
REF DES	DESCRIPTION
P1, P2	68 POS VHDCI MALE DUAL-SIDED IDC CONNECTOR W/ BACKSHELL KIT
3	FERRITE 12.7 [.50] I.D., 18.67 [.735] O.D., 28.5 [1.122] LENGTH

CABLE DETAILS				
REF DES	CONSTRUCTION	CONDUCTORS	INSULATION	JACKET
1	30AWG 34 PAIR CONDUCTORS	30 AWG TINNED COPPER 7/0.10± .008 mm	0.65MM Ø FM-PE	9.60MM Ø PVC

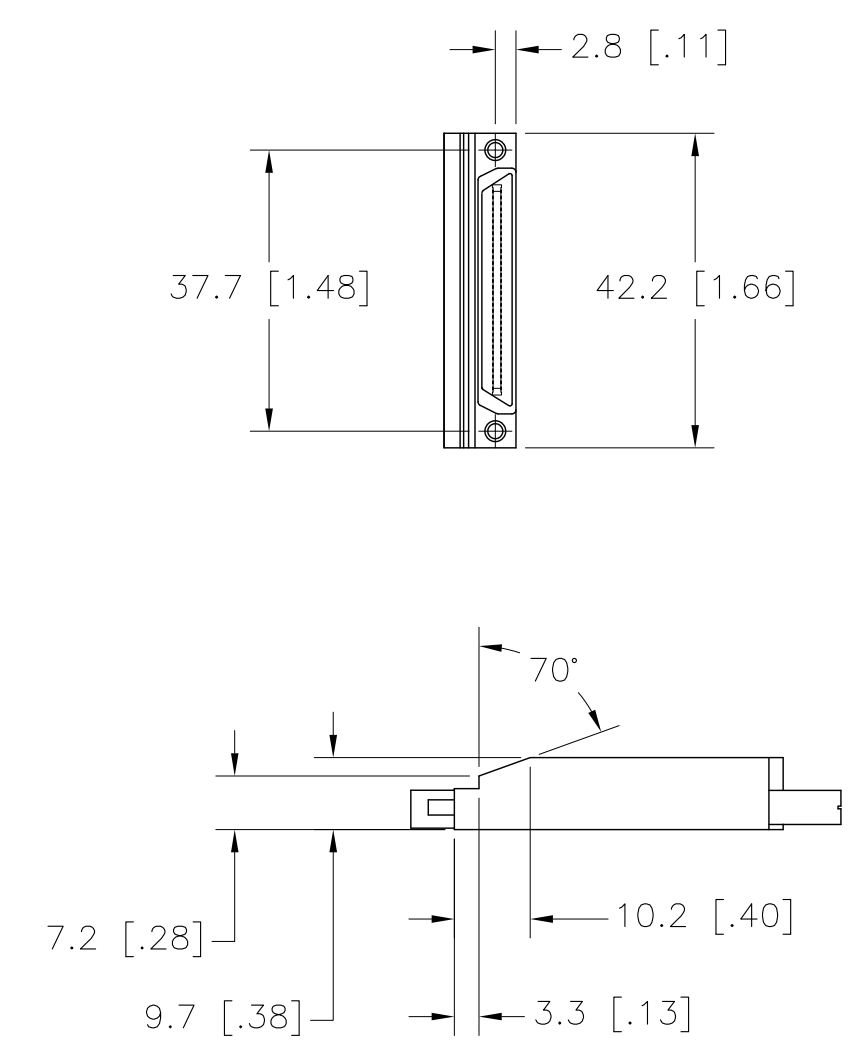


TABLE 1	
LENGTH	TOLERANCE
<2M	+50 MM/-0 CM
2 TO 5M	+100 MM/-0 CM
>5M	+150 MM/-0 CM

METRIC CUSTOMER DRAWING

UNLESS OTHERWISE SPECIFIED DIMENSIONS ARE IN MILLIMETERS AND [INCHES]

NI.COM AUSTIN, TEXAS

DO NOT SCALE DRAWING THIRD ANGLE PROJECTION

TITLE: 2X 68 POS VHDCI SHC68-C68-S

SIZE: D7U296 CODE IDENT NO.: 186380-XX DRAWING NO.

SCALE: 1/1 SHEET 1 OF 1

1. REFER TO PRODUCT MANUAL ON NI.COM FOR MORE DETAILS.
NOTES: UNLESS OTHERWISE SPECIFIED.

NOTE: WIRE LIST COLORS MAY NOT BE ACCURATE AS RAW CABLE TYPE MAY BE CHANGED DURING PRODUCTION.