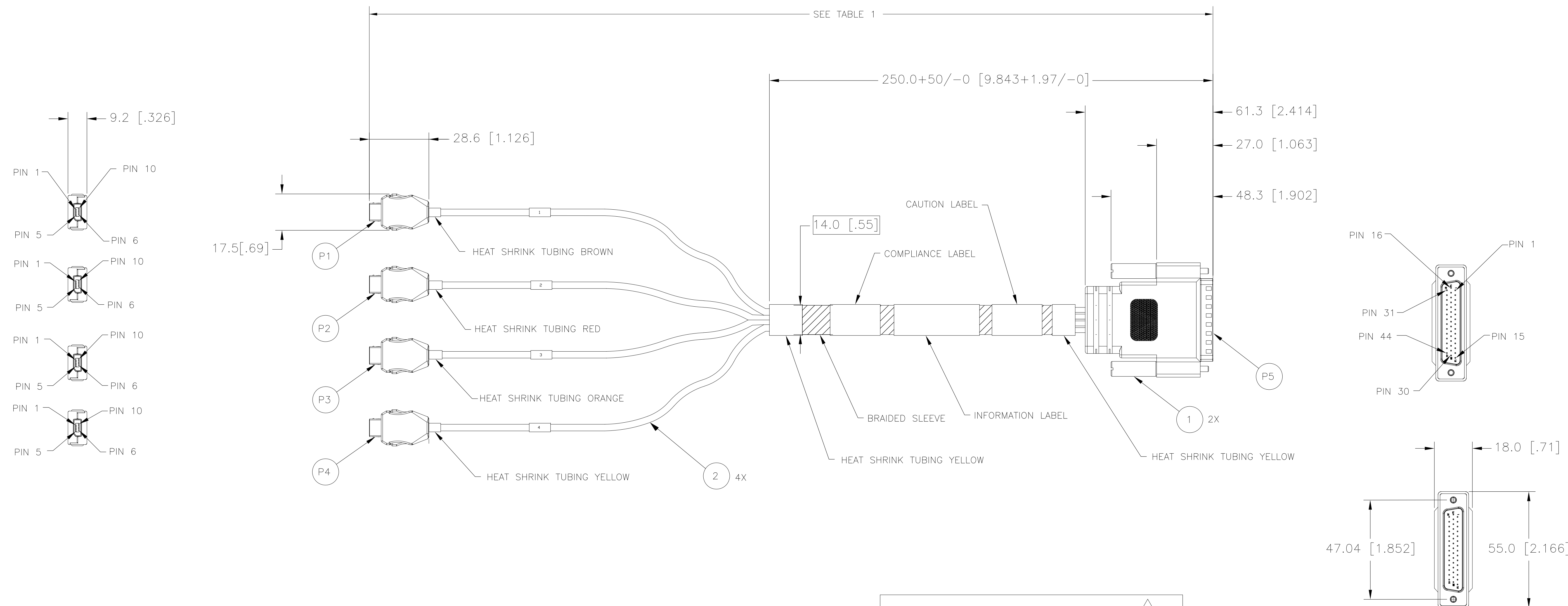


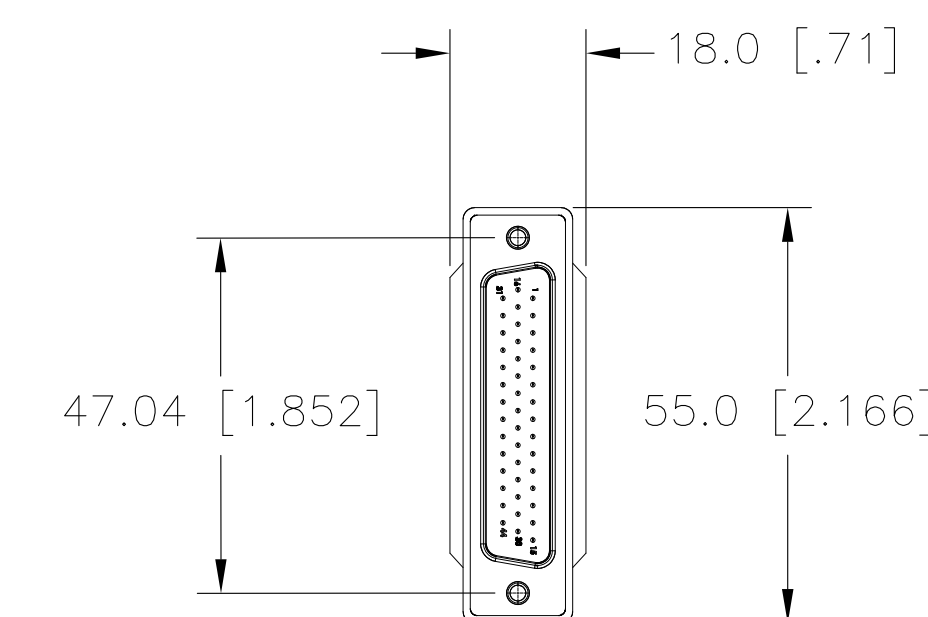
CUSTOMER DRAWING COMPATIBILITY			
REV	DESCRIPTION	DATE	APPROVED
A	DRAWING NOT COMPATIBLE, OBSOLETE	01/24/24	
B	DRAWING COMPATIBLE, RELEASED	01/24/24	



LENGTH	TOLERANCE
<2M	+50MM/-0MM
2 TO 5M	+100MM/-0MM
>5M	+150MM/-0MM

REF DES	DESCRIPTION
P1,P2,P3,P4	HIROSE IX INDUSTRIAL (OR OTHER IEC 61076-3-124) CONNECTOR, FEMALE, TYPE B
P5	44-POSITION HIGH-DENSITY DSUB, MALE
1	#4-40 UNC THUMBSCREWS, METAL, SLOTTED AND KNURLED

REF DES	CONSTRUCTION	CONDUCTORS	INSULATION	JACKET
2	4 SHIELDED TWISTED PAIRS, 2 UNSHIELDED STRAIGHT, WITH OVERALL SHIELD	24 AWG TINNED STRANDED COPPER (41/0.08MM, 0.60MM OD)	0.23MM THICK SRPVC, 1.15MM OD	0.60MM THICK PVC, 7.00MM OD



² PRODUCT AND COMPANY NAMES MENTIONED ARE TRADEMARKS OR TRADE NAMES OF THEIR RESPECTIVE COMPANIES.

1. REFER TO PRODUCT MANUAL ON NI.COM FOR MORE DETAILS.

NOTES: UNLESS OTHERWISE SPECIFIED.

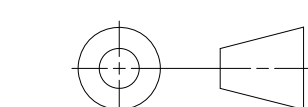
METRIC

CUSTOMER DRAWING

UNLESS OTHERWISE SPECIFIED DIMENSIONS ARE IN MILLIMETERS AND [INCHES]
DO NOT SCALE DRAWING
THIRD ANGLE PROJECTION

NI.COM
AUSTIN, TEXAS

TITLE
SHDB44M-4IXBF DIFF



SIZE CODE IDENT NO. DRAWING NO.
D 7U296 134726-XX
SCALE: 1/1 SHEET 1 OF 2

WIRE LIST

LEAD	PAIR	P5 (HD44)	SIGNAL	COND.	COLOR	P1	P2	P3	P4	NOTES	
0		1	A	C0	YELLOW	1					
		16	B	C1	BLUE	2					
		NC	CHSGND	SHIELD_0	N/A	NC				SHORTED IN CABLE TO OUTER SHIELD	
1	N/A	33	I (REF)	C2	WHITE	3					
		2	C	C3	ORANGE	4					
		17	D	C4	PURPLE	5					
	1		NC	CHSGND	SHIELD_1	N/A	NC				SHORTED IN CABLE TO OUTER SHIELD
			3	E	C5	GRAY	6				
			18	F	C6	RED	7				
	2		NC	CHSGND	SHIELD_2	N/A	NC				SHORTED IN CABLE TO OUTER SHIELD
			N/A	19	J (AUX)	C7	BLACK	8			
			32	G	C8	BROWN	9				
3		31	H	C9	GREEN	10					
		NC	CHSGND	SHIELD_3	N/A	NC				SHORTED IN CABLE TO OUTER SHIELD	
		N/A	SHELL	CHSGND	OUTER SHIELD	SHIELD/DRAIN	SHELL				
2	0	5	A	C10	YELLOW		1				
		20	B	C11	BLUE		2				
		NC	CHSGND	SHIELD_4	N/A	NC				SHORTED IN CABLE TO OUTER SHIELD	
	N/A		34	I (REF)	C12	WHITE	3				
			6	C	C13	ORANGE	4				
			21	D	C14	PURPLE	5				
	1		NC	CHSGND	SHIELD_5	N/A	NC				SHORTED IN CABLE TO OUTER SHIELD
			7	E	C15	GRAY	6				
			22	F	C16	RED	7				
	2		NC	CHSGND	SHIELD_6	N/A	NC				SHORTED IN CABLE TO OUTER SHIELD
			N/A	4	J (AUX)	C17	BLACK	8			
			36	G	C18	BROWN	9				
3		35	H	C19	GREEN	10					
		NC	CHSGND	SHIELD_7	N/A	NC				SHORTED IN CABLE TO OUTER SHIELD	
		N/A	SHELL	CHSGND	OUTER SHIELD	SHIELD/DRAIN	SHELL				
3	0	9	A	C20	YELLOW			1			
		24	B	C21	BLUE			2			
		NC	CHSGND	SHIELD_8	N/A	NC				SHORTED IN CABLE TO OUTER SHIELD	
	N/A		41	I (REF)	C22	WHITE			3		
			10	C	C23	ORANGE			4		
			25	D	C24	PURPLE			5		
	1		NC	CHSGND	SHIELD_9	N/A	NC				SHORTED IN CABLE TO OUTER SHIELD
			11	E	C25	GRAY			6		
			26	F	C26	RED			7		
	2		NC	CHSGND	SHIELD_10	N/A	NC				SHORTED IN CABLE TO OUTER SHIELD
			N/A	27	J (AUX)	C27	BLACK			8	
			40	G	C28	BROWN			9		
3		39	H	C29	GREEN			10			
		NC	CHSGND	SHIELD_11	N/A	NC				SHORTED IN CABLE TO OUTER SHIELD	
		N/A	SHELL	CHSGND	OUTER SHIELD	SHIELD/DRAIN	SHELL				
4	0	13	A	C30	YELLOW				1		
		28	B	C31	BLUE				2		
		NC	CHSGND	SHIELD_12	N/A	NC				SHORTED IN CABLE TO OUTER SHIELD	
	N/A		42	I (REF)	C32	WHITE				3	
			14	C	C33	ORANGE				4	
			29	D	C34	PURPLE				5	
	1		NC	CHSGND	SHIELD_13	N/A	NC				SHORTED IN CABLE TO OUTER SHIELD
			15	E	C35	GRAY				6	
			30	F	C36	RED				7	
	2		NC	CHSGND	SHIELD_14	N/A	NC				SHORTED IN CABLE TO OUTER SHIELD
			N/A	12	J (AUX)	C37	BLACK				8
			44	G	C38	BROWN				9	
3		43	H	C39	GREEN				10		
		NC	CHSGND	SHIELD_15	N/A	NC				SHORTED IN CABLE TO OUTER SHIELD	
		N/A	SHELL	CHSGND	OUTER SHIELD	SHIELD/DRAIN	SHELL				