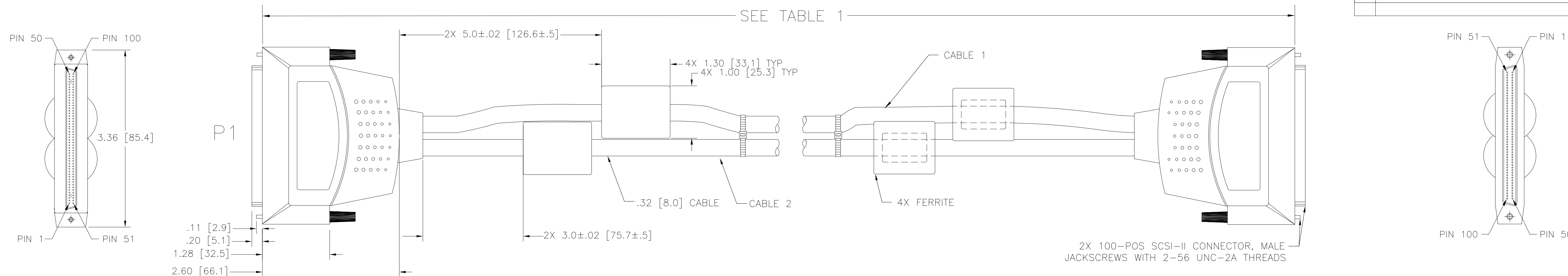


CUSTOMER DRAWING COMPATIBILITY			
REV	DESCRIPTION	DATE	APPROVED
A-E	DRAWING INCOMPATIBLE, OBSOLETE		
F	DRAWING COMPATIBLE, RELEASED	10/12/23	



WIRE LIST 1A			
P1 100-POS CONN.	CABLE 1 50 CONDUCTOR CABLE (25 PAIRS) INNER & OUTER SHIELD		P2 100-POS CONN.
PIN NO	PAIR NO	COLOR CODE	PIN NO
1	1	WHITE	1
51		GREEN	51
2	2	WHITE	2
52		ORANGE	52
3	3	WHITE	3
53		BLUE	53
4	4	BLACK	4
54		BLUE	54
5	5	RED	5
55		GRAY	55
6	6	RED	6
56		BROWN	56
7	7	RED	7
57		GREEN	57
8	8	RED	8
58		ORANGE	58
9	9	RED	9
59		BLUE	59
10	10	WHITE	10
60		GRAY	60
11	11	WHITE	11
61		BROWN	61
12	12	VIOLET	12
62		GRAY	62
13	13	VIOLET	13
63		BROWN	63
14	14	VIOLET	14
64		GREEN	64
15	15	VIOLET	15
65		ORANGE	65
16	16	VIOLET	16
66		BLUE	66
17	17	YELLOW	17
67		GRAY	67
18	18	YELLOW	18
68		BROWN	68
19	19	YELLOW	19
69		GREEN	69
20	20	YELLOW	20
70		ORANGE	70
21	21	YELLOW	21
71		BLUE	71
22	22	BLACK	22
72		GRAY	72
23	23	BLACK	23
73		BROWN	73
24	24	BLACK	24
74		GREEN	74
25	25	BLACK	25
75		ORANGE	75
SHELL	INNER SHIELD		SHELL
SHELL	OUTER SHIELD		SHELL

WIRE LIST 2A			
P1 100-POS CONN.	CABLE 2 50 CONDUCTOR CABLE (25 PAIRS) INNER & OUTER SHIELD		P2 100-POS CONN.
PIN NO	PAIR NO	COLOR CODE	PIN NO
26	1	WHITE	26
76		GREEN	76
27	2	WHITE	27
77		ORANGE	77
28	3	WHITE	28
78		BLUE	78
29	4	BLACK	29
79		BLUE	79
30	5	RED	30
80		GRAY	80
31	6	RED	31
81		BROWN	81
32	7	RED	32
82		GREEN	82
33	8	RED	33
83		ORANGE	83
34	9	RED	34
84		BLUE	84
35	10	WHITE	35
85		GRAY	85
36	11	WHITE	36
86		BROWN	86
37	12	VIOLET	37
87		GRAY	87
38	13	VIOLET	38
88		BROWN	88
39	14	VIOLET	39
89		GREEN	89
40	15	VIOLET	40
90		ORANGE	90
41	16	VIOLET	41
91		BLUE	91
42	17	YELLOW	42
92		GRAY	92
43	18	YELLOW	43
93		BROWN	93
44	19	YELLOW	44
94		GREEN	94
45	20	YELLOW	45
95		ORANGE	95
46	21	YELLOW	46
96		BLUE	96
47	22	BLACK	47
97		GRAY	97
48	23	BLACK	48
98		BROWN	98
49	24	BLACK	49
99		GREEN	99
50	25	BLACK	50
100		ORANGE	100
SHELL	INNER SHIELD		SHELL
SHELL	OUTER SHIELD		SHELL

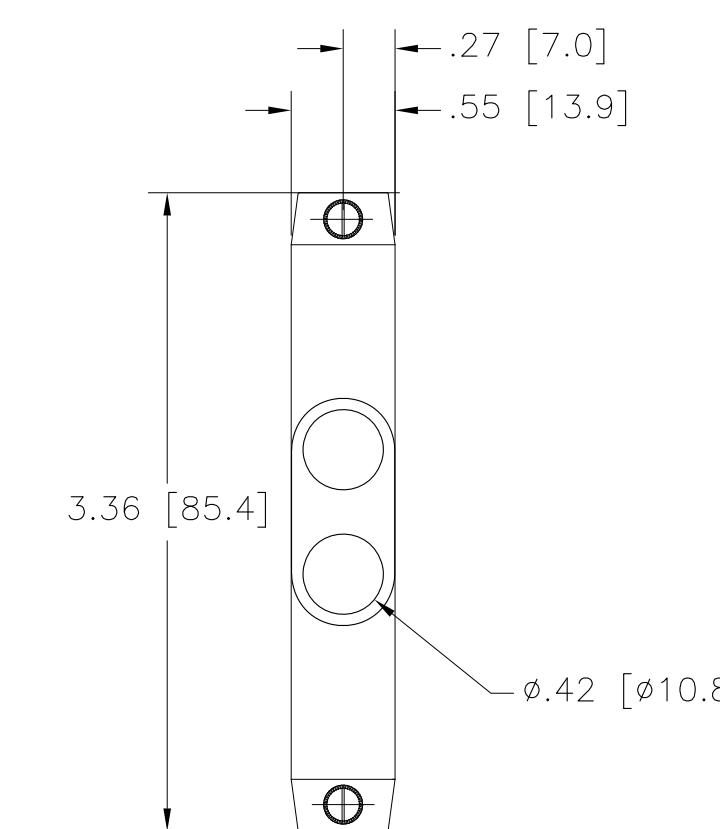
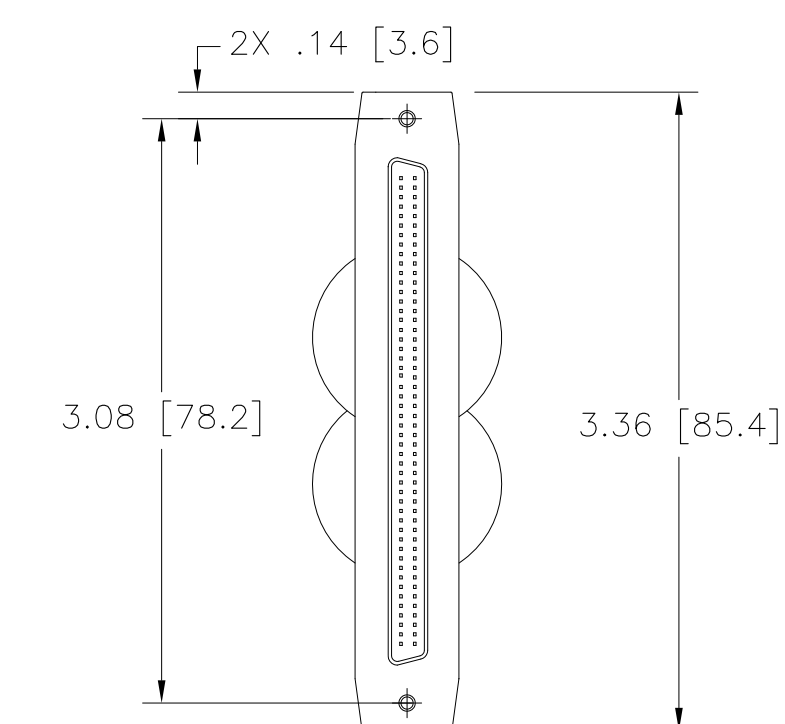


TABLE 1	
LENGTH	TOLERANCE
<2M	±50 mm
2 TO 5M	±100 mm
>5M	±150 mm

CONDUCTOR SPECIFICATIONS:

CABLE	CONSTRUCTION	CONDUCTORS	INSULATION	JACKET
CABLE 2 - 50 CONDUCTORS, SHIELDED OVERALL	25 PAIRS	28 AWG 7/36 [7/0.127 MM] TINNED COPPER, 0.15 IN [0.38 MM] DIA.	POLYPROPYLENE, 0.009 IN [0.23 MM] THICK, 0.035 IN [0.90 MM] DIA.	PVC, 0.028 IN [0.70 MM] THICK, 0.425 IN [10.8 MM] DIA.

2. CABLE ASSEMBLY WAS PREVIOUSLY NAMED "SH100-100-F".
 1. REFER TO PRODUCT MANUAL ON NI.COM FOR MORE DETAILS.
 NOTES: UNLESS OTHERWISE SPECIFIED.

UNLESS OTHERWISE SPECIFIED DIMENSIONS ARE IN INCHES AND [MILLIMETERS]	NI AUSTIN, TEXAS	NI.COM	
		AUSTIN, TEXAS	
DO NOT SCALE DRAWING THIRD ANGLE PROJECTION		TITLE SH100M-100M FLEX	
		SIZE	DRAWING NO.
		D7U296	185095-XX
SCALE: 1/1	SHEET 1 OF 1		