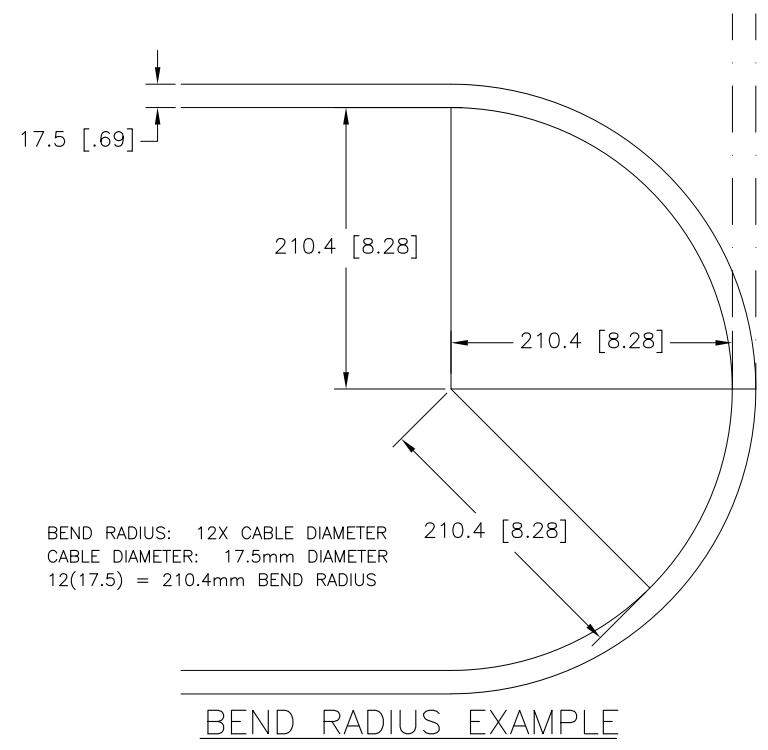
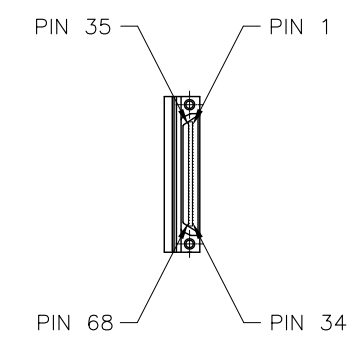
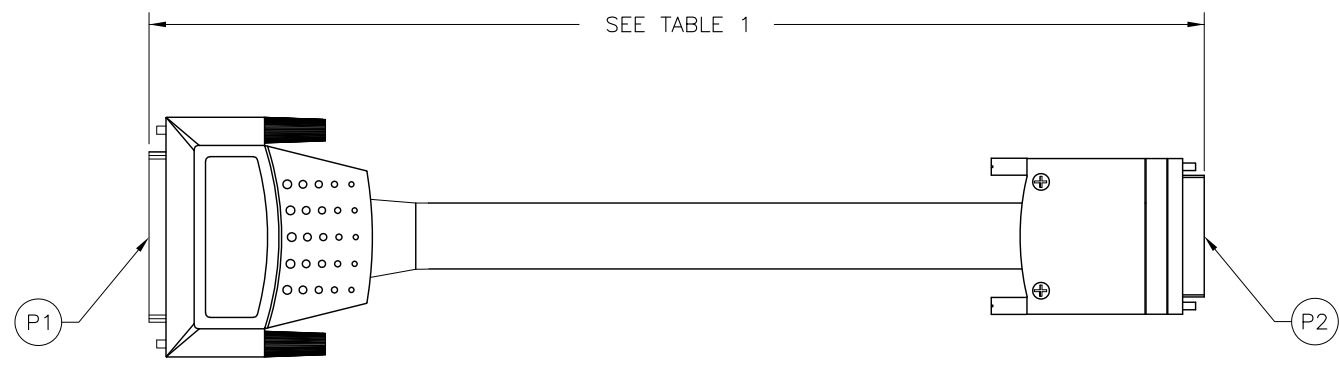
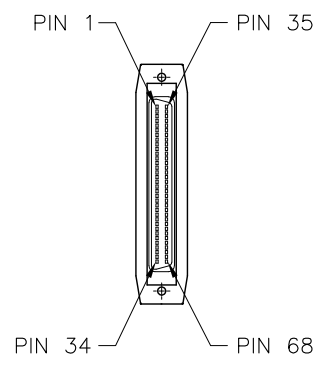


This document contains confidential and proprietary information which is the property of NI. This proprietary information is supplied to the possessor pursuant to the possessor's agreement to do the following:

1. to maintain this document in confidence;
2. not to reproduce, publish or copy it in whole or in part without written permission; and
3. not to use this document as a basis for the manufacture or sale of goods without written permission.

© COPYRIGHT 2021 NATIONAL INSTRUMENTS CORPORATION. ALL RIGHTS RESERVED.

REVISION HISTORY IS CONTROLLED IN AN ELECTRONIC DATABASE. CONTACT NI FOR REVISION DETAILS IF NEEDED.



GROUP A				
PAIR	SCSI 68 PIN	SIGNAL NAME	CONDUCTOR MAIN STRIPE	PCB Pad
1	52	DIO (17)	white/red	18
	18	DGND	red/white	17
2	53	DIO (18)	white/brown	61
	19	DGND	brown/white	60
3	54	DIO (19)	white/pink	20
	20	DGND	pink/white	19
4	55	DIO (20)	white/orange	63
	21	DGND	orange/white	62
5	56	DIO (21)	white/yellow	22
	22	DGND	yellow/white	21
6	57	DIO (22)	white/green	65
	23	DGND	green/white	64
7	58	DIO (23)	white/blue	24
	24	DGND	blue/white	23
8	59	DIO (24)	white/violet	67
	25	DGND	violet/white	66
9	60	DIO (25)	white/gray	26
	26	DGND	gray/white	25
10	29	DIO (28)	red/brown	30
	15	DGND	brown/red	31
11	63	DIO (29)	red/pink	71
	16	DGND	pink/red	72
12	32	DIO (34)	red/orange	36
	21	DGND	orange/red	37
13	66	DIO (35)	red/yellow	77
	22	DGND	yellow/red	78
14	34	DIO (38)	red/green	40
	25	DGND	green/red	41

GROUP B				
PAIR	SCSI 68 PIN	SIGNAL NAME	CONDUCTOR MAIN STRIPE	PCB Pad
15	44	DIO (9)	red/blue	10
	10	DGND	blue/red	9
16	45	DIO (10)	red/violet	53
	11	DGND	violet/red	52
17	46	DIO (11)	red/gray	12
	12	DGND	gray/red	11
18	47	DIO (12)	brown/pink	55
	13	DGND	pink/brown	54
19	48	DIO (13)	brown/orange	14
	14	DGND	orange/brown	13
20	49	DIO (14)	brown/yellow	57
	15	DGND	yellow/brown	56
21	50	DIO (15)	brown/green	16
	16	DGND	green/brown	15
22	51	DIO (16)	brown/blue	59
	17	DGND	blue/brown	58
23	62	DIO (27)	brown/violet	28
	14	DGND	violet/brown	27
24	31	DIO (32)	brown/gray	34
	19	DGND	gray/brown	35
25	65	DIO (33)	pink/orange	75
	20	DGND	orange/pink	76
26	33	DIO (36)	pink/yellow	38
	23	DGND	yellow/pink	39
27	68	DIO (39)	pink/green	81
	26	DGND	green/pink	82

GROUP C				
PAIR	SCSI 68 PIN	SIGNAL NAME	CONDUCTOR MAIN STRIPE	PCB Pad
28	35	DIO (0)	pink/blue	43
	1	DGND	blue/pink	42
29	36	DIO (1)	pink/violet	2
	2	DGND	violet/pink	1
30	37	DIO (2)	pink/gray	45
	3	DGND	gray/pink	44
31	38	DIO (3)	orange/yellow	4
	4	DGND	yellow/orange	3
32	39	DIO (4)	orange/green	47
	5	DGND	green/orange	46
33	40	DIO (5)	orange/blue	6
	6	DGND	blue/orange	5
34	41	DIO (6)	orange/violet	49
	7	DGND	violet/orange	48
35	42	DIO (7)	orange/gray	8
	8	DGND	gray/orange	7
36	43	DIO (8)	yellow/green	51
	9	DGND	green/yellow	50
37	61	DIO (26)	yellow/blue	69
	13	DGND	blue/yellow	68
38	30	DIO (30)	yellow/violet	32
	17	DGND	violet/yellow	33
39	64	DIO (31)	yellow/gray	73
	18	DGND	gray/yellow	74
40	67	DIO (37)	green/blue	79
	24	DGND	blue/green	80
41*	27	+5V	green/violet	29
	28	+5V	violet/green	70

\* POWER PAIR IS 28 AWG WIRE

LENGTH	TOLERANCE
<2m	+5cm
2m TO 5m	+10cm
<5m	+15cm

**CONDUCTOR SPECIFICATIONS:**

COMPONENT I  
 CONDUCTOR: 30AWG TIN-PLATED COPPER, 0.25 MILLIMETER DIAMETER  
 INSULATION: POLYPROPYLENE, 0.66 MILLIMETER DIAMETER

COMPONENT II  
 CONDUCTOR: 28AWG TIN-PLATED COPPER, 0.32 MILLIMETER DIAMETER  
 INSULATION: POLYPROPYLENE, 0.66 MILLIMETER DIAMETER

BEND RADIUS: 12X CABLE DIAMETER (SEE EXAMPLE) PER SPECIFICATIONS  
 2014 NEC SECTION 300.34 CONDUCTOR BEND RADIUS  
 2014 NEC SECTION 300.24 BENDING RADIUS

1. REFER TO PRODUCT MANUAL ON NI.COM FOR MORE DETAILS.

NOTES: UNLESS OTHERWISE SPECIFIED.

CUSTOMER DRAWING

UNLESS OTHERWISE SPECIFIED DIMENSIONS ARE IN MILLIMETERS AND [INCHES]		NI.COM AUSTIN, TEXAS
DO NOT SCALE DRAWING THIRD ANGLE PROJECTION		SIZE CODE IDENT NO. DATE D 7U296 11/15/2021
		SCALE: 1/1 SHEET 1 OF 1