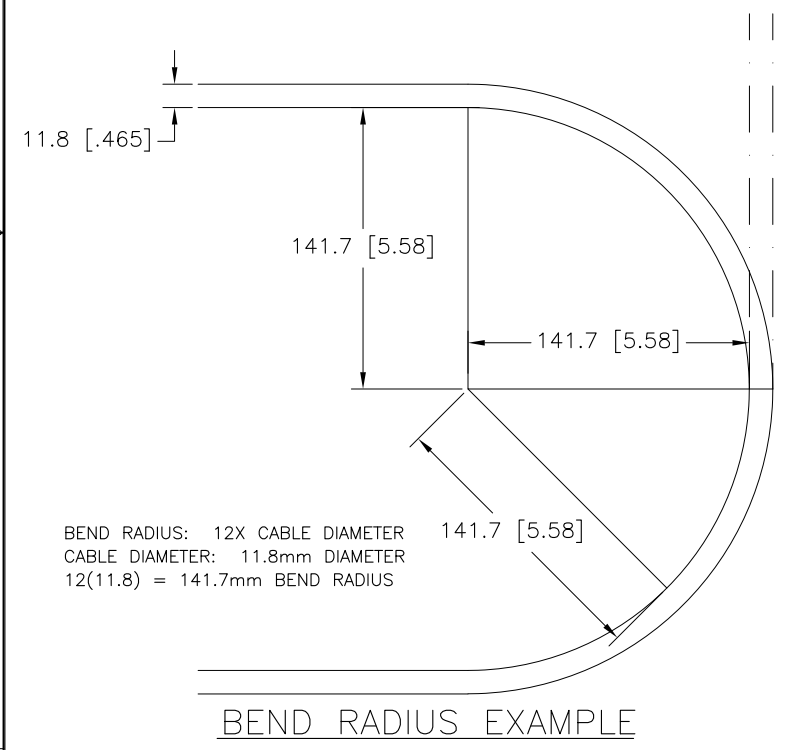
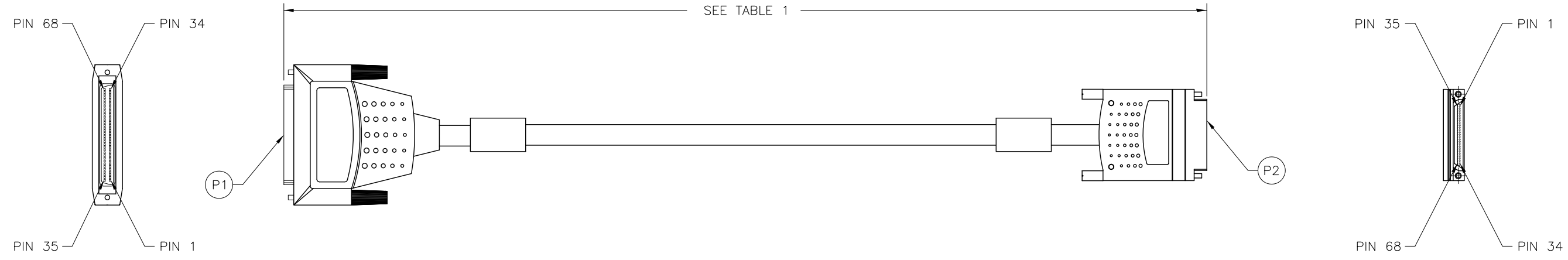


This document contains confidential and proprietary information which is the property of NI. This proprietary information is supplied to the possessor pursuant to the possessor's agreement to do the following:

1. to maintain this document in confidence;
2. not to reproduce, publish or copy it in whole or in part without written permission; and
3. not to use this document as a basis for the manufacture or sale of goods without written permission.

© COPYRIGHT 2021 NATIONAL INSTRUMENTS CORPORATION. ALL RIGHTS RESERVED.

REVISION HISTORY IS CONTROLLED IN AN ELECTRONIC DATABASE. CONTACT NI FOR REVISION DETAILS IF NEEDED.



| WIRE LIST | | | | |
|--------------------|----------------------|------------|-------------|----------------|
| GROUP A - 20 PAIRS | | P1 .050 | P2 VHDCI | SIGNAL NAME |
| PAIR | COLOR MAIN/STRIPE | P1 | P2 | SIGNAL |
| 1 | WHITE/TAN | 35 | 35 | DIO(0) |
| | TAN/WHITE | 1 | 1 | DGND |
| 2 | WHITE/BROWN | 36 | 36 | DIO(1) |
| | BROWN/WHITE | 1 | 1 | DGND |
| 3 | WHITE/PINK | 37 | 37 | DIO(2) |
| | PINK/WHITE | 2 | 2 | DGND |
| 4 | WHITE/ORANGE | 38 | 38 | DIO(3) |
| | ORANGE/WHITE | 3 | 3 | DGND |
| 5 | WHITE/YELLOW | 39 | 39 | DIO(4) |
| | YELLOW/WHITE | 3 | 3 | DGND |
| 6 | WHITE/GREEN | 40 | 40 | DIO(5) |
| | GREEN/WHITE | 4 | 4 | DGND |
| 7 | WHITE/BLUE | 41 | 41 | DIO(6) |
| | BLUE/WHITE | 5 | 5 | DGND |
| 8 | WHITE/VIOLET | 42 | 42 | DIO(7) |
| | VIOLET/WHITE | 5 | 5 | DGND |
| 9 | WHITE/GRAY | 43 | 43 | DIO(8) |
| | GRAY/WHITE | 6 | 6 | DGND |
| 10 | TAN/BROWN | 44 | 44 | DIO(9) |
| | BROWN/TAN | 7 | 7 | DGND |

| WIRE LIST, CONT. | | | | |
|--------------------|----------------------|------------|-------------|----------------|
| GROUP A - 20 PAIRS | | P1 .050 | P2 VHDCI | SIGNAL NAME |
| PAIR | COLOR MAIN/STRIPE | P1 | P2 | SIGNAL |
| 11 | TAN/PINK | 45 | 45 | DIO(10) |
| | PINK/TAN | 7 | 7 | DGND |
| 12 | TAN/ORANGE | 46 | 46 | DIO(11) |
| | ORANGE/TAN | 8 | 8 | DGND |
| 13 | TAN/YELLOW | 47 | 47 | DIO(12) |
| | YELLOW/TAN | 9 | 9 | DGND |
| 14 | TAN/GREEN | 48 | 48 | DIO(13) |
| | GREEN/TAN | 9 | 9 | DGND |
| 15 | TAN/BLUE | 49 | 49 | DIO(14) |
| | BLUE/TAN | 10 | 10 | DGND |
| 16 | TAN/VIOLET | 50 | 50 | DIO(15) |
| | VIOLET/TAN | 11 | 11 | DGND |
| 17 | TAN/GRAY | 51 | 51 | DIO(16) |
| | GRAY/TAN | 11 | 11 | DGND |
| 18 | BROWN/PINK | 52 | 52 | DIO(17) |
| | PINK/BROWN | 12 | 12 | DGND |
| 19 | BROWN/ORANGE | 53 | 53 | DIO(18) |
| | ORANGE/BROWN | 13 | 13 | DGND |
| 20 | BROWN/YELLOW | 54 | 54 | DIO(19) |
| | YELLOW/BROWN | 13 | 13 | DGND |

| WIRE LIST, CONT. | | | | |
|--------------------|----------------------|------------|-------------|----------------|
| GROUP B - 21 PAIRS | | P1 .050 | P2 VHDCI | SIGNAL NAME |
| PAIR | COLOR MAIN/STRIPE | P1 | P2 | SIGNAL |
| 21 | BROWN/GREEN | 27 | 27 | +5V |
| | GREEN/BROWN | 28 | 28 | +5V |
| 22 | BROWN/BLUE | 55 | 55 | DIO(20) |
| | BLUE/BROWN | 14 | 14 | DGND |
| 23 | BROWN/VIOLET | 56 | 56 | DIO(21) |
| | VIOLET/BROWN | 15 | 15 | DGND |
| 24 | BROWN/GRAY | 57 | 57 | DIO(22) |
| | GRAY/BROWN | 15 | 15 | DGND |
| 25 | PINK/ORANGE | 58 | 58 | DIO(23) |
| | ORANGE/PINK | 16 | 16 | DGND |
| 26 | PINK/YELLOW | 59 | 59 | DIO(24) |
| | YELLOW/PINK | 17 | 17 | DGND |
| 27 | PINK/GREEN | 60 | 60 | DIO(25) |
| | GREEN/PINK | 17 | 17 | DGND |
| 28 | PINK/BLUE | 61 | 61 | DIO(26) |
| | BLUE/PINK | 18 | 18 | DGND |
| 29 | PINK/VIOLET | 62 | 62 | DIO(27) |
| | VIOLET/PINK | 19 | 19 | DGND |
| 30 | PINK/GRAY | 29 | 29 | DIO(28) |
| | GRAY/PINK | 19 | 19 | DGND |

| WIRE LIST, CONT. | | | | |
|--------------------|----------------------|------------|-------------|----------------|
| GROUP B - 21 PAIRS | | P1 .050 | P2 VHDCI | SIGNAL NAME |
| PAIR | COLOR MAIN/STRIPE | P1 | P2 | SIGNAL |
| 31 | ORANGE/YELLOW | 63 | 63 | DIO(29) |
| | YELLOW/ORANGE | 20 | 20 | DGND |
| 32 | ORANGE/GREEN | 30 | 30 | DIO(30) |
| | GREEN/ORANGE | 21 | 21 | DGND |
| 33 | ORANGE/BLUE | 64 | 64 | DIO(31) |
| | BLUE/ORANGE | 21 | 21 | DGND |
| 34 | ORANGE/VIOLET | 31 | 31 | DIO(32) |
| | VIOLET/ORANGE | 22 | 22 | DGND |
| 35 | ORANGE/GRAY | 65 | 65 | DIO(33) |
| | GRAY/ORANGE | 22 | 22 | DGND |
| 36 | YELLOW/GREEN | 32 | 32 | DIO(34) |
| | GREEN/YELLOW | 23 | 23 | DGND |
| 37 | YELLOW/BLUE | 66 | 66 | DIO(35) |
| | BLUE/YELLOW | 23 | 23 | DGND |
| 38 | YELLOW/VIOLET | 33 | 33 | DIO(36) |
| | VIOLET/YELLOW | 24 | 24 | DGND |
| 39 | YELLOW/GRAY | 67 | 67 | DIO(37) |
| | GRAY/YELLOW | 24 | 24 | DGND |
| 40 | GREEN/BLUE | 34 | 34 | DIO(38) |
| | BLUE/GREEN | 25 | 25 | DGND |
| 42 | GREEN/VIOLET | 68 | 68 | DIO(39) |
| | VIOLET/GREEN | 25 | 25 | DGND |

| TABLE 1 | |
|----------|-----------|
| LENGTH | TOLERANCE |
| <2m | +5cm |
| 2m TO 5m | +10cm |
| <5m | +15cm |

CONDUCTOR SPECIFICATIONS:

COMPONENT I
 CONDUCTOR: 30AWG TIN-PLATED COPPER, 0.30 MILLIMETER DIAMETER
 INSULATION: POLYPROPYLENE, 0.56 MILLIMETER DIAMETER
 COMPONENT II
 CONDUCTOR: 28AWG TIN-PLATED COPPER, 0.38 MILLIMETER DIAMETER
 INSULATION: POLYPROPYLENE, 0.68 MILLIMETER DIAMETER
 BEND RADIUS: 12X CABLE DIAMETER (SEE EXAMPLE) PER SPECIFICATIONS
 2014 NEC SECTION 300.34 CONDUCTOR BEND RADIUS
 2014 NEC SECTION 300.24 BENDING RADIUS
 1. REFER TO PRODUCT MANUAL ON NI.COM FOR MORE DETAILS.
 NOTES: UNLESS OTHERWISE SPECIFIED.

CUSTOMER DRAWING

| | | |
|---|---|--|
| UNLESS OTHERWISE SPECIFIED DIMENSIONS ARE IN MILLIMETERS AND [INCHES] | NI.COM AUSTIN, TEXAS | |
| | TITLE 68-POS .50 SERIES TO 68-POS VHDCI, TYPE SHC68-68-RDIO | |
| | DO NOT SCALE DRAWING THIRD ANGLE PROJECTION | SIZE CODE IDENT NO. DATE D 7U296 11/15/2021 |
| SCALE: 1/1 | | SHEET 1 OF 1 |