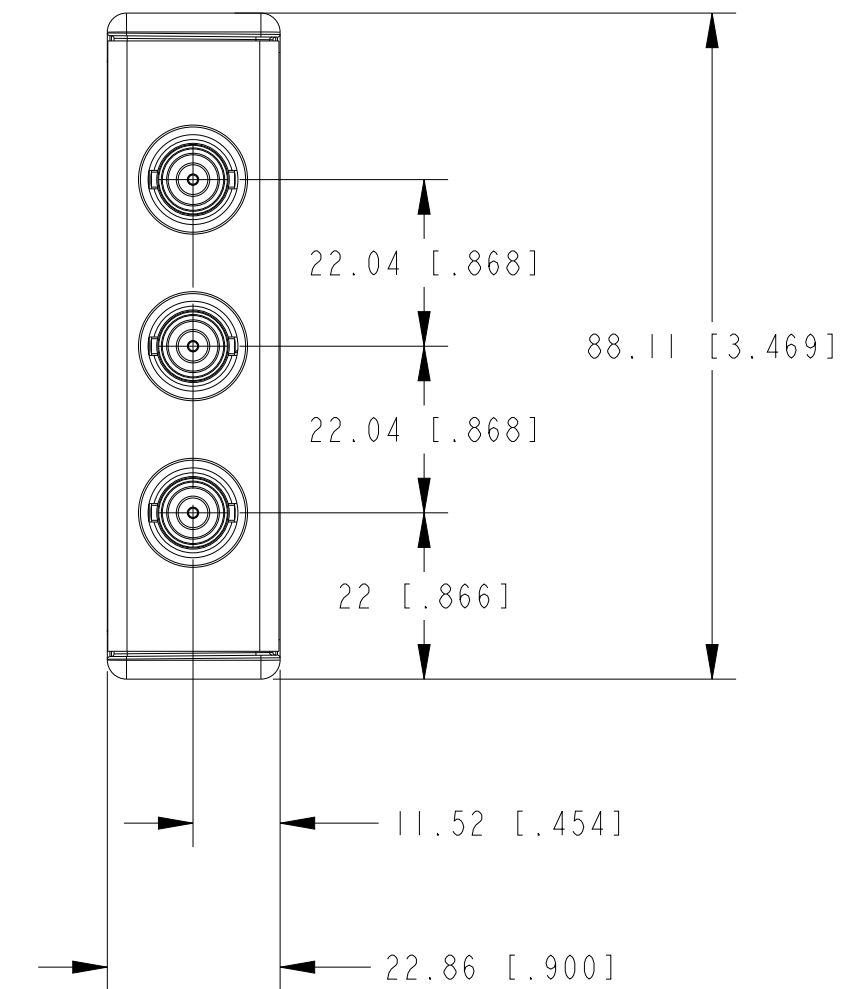
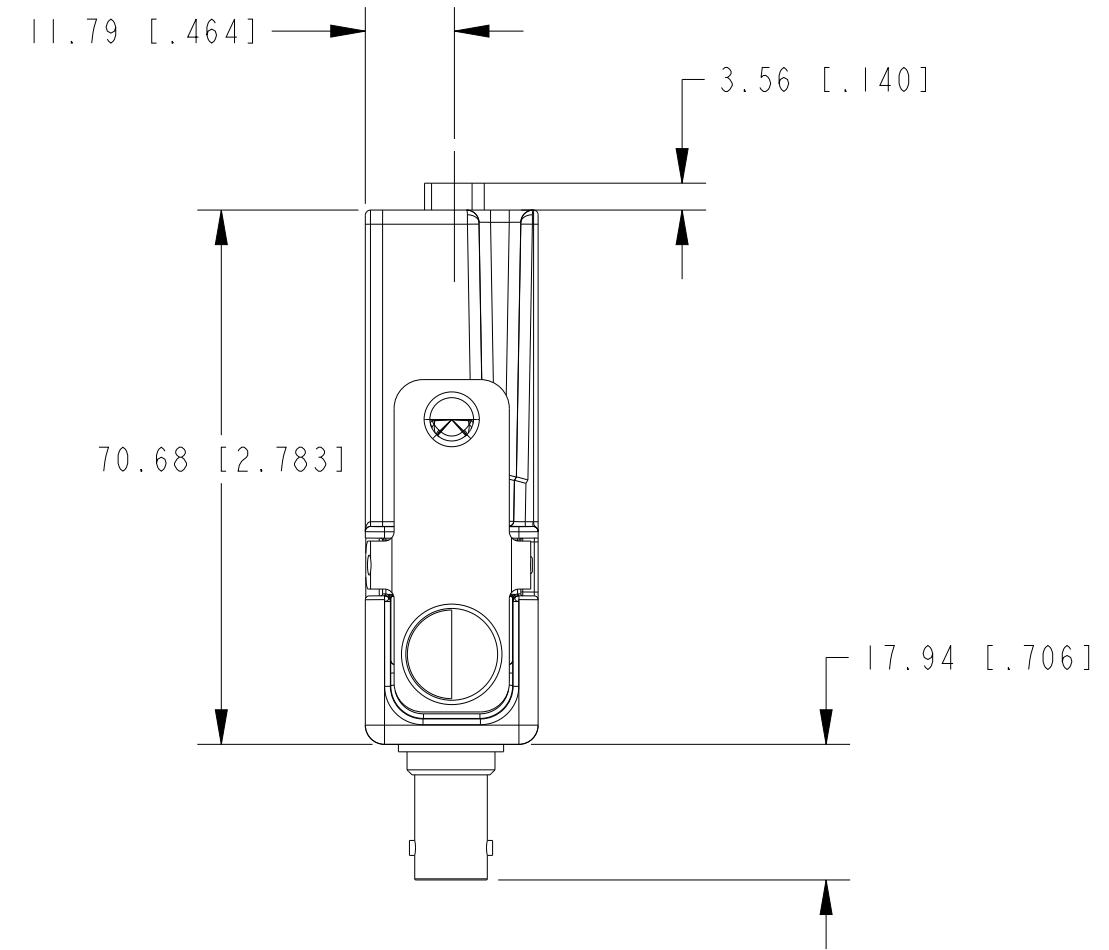
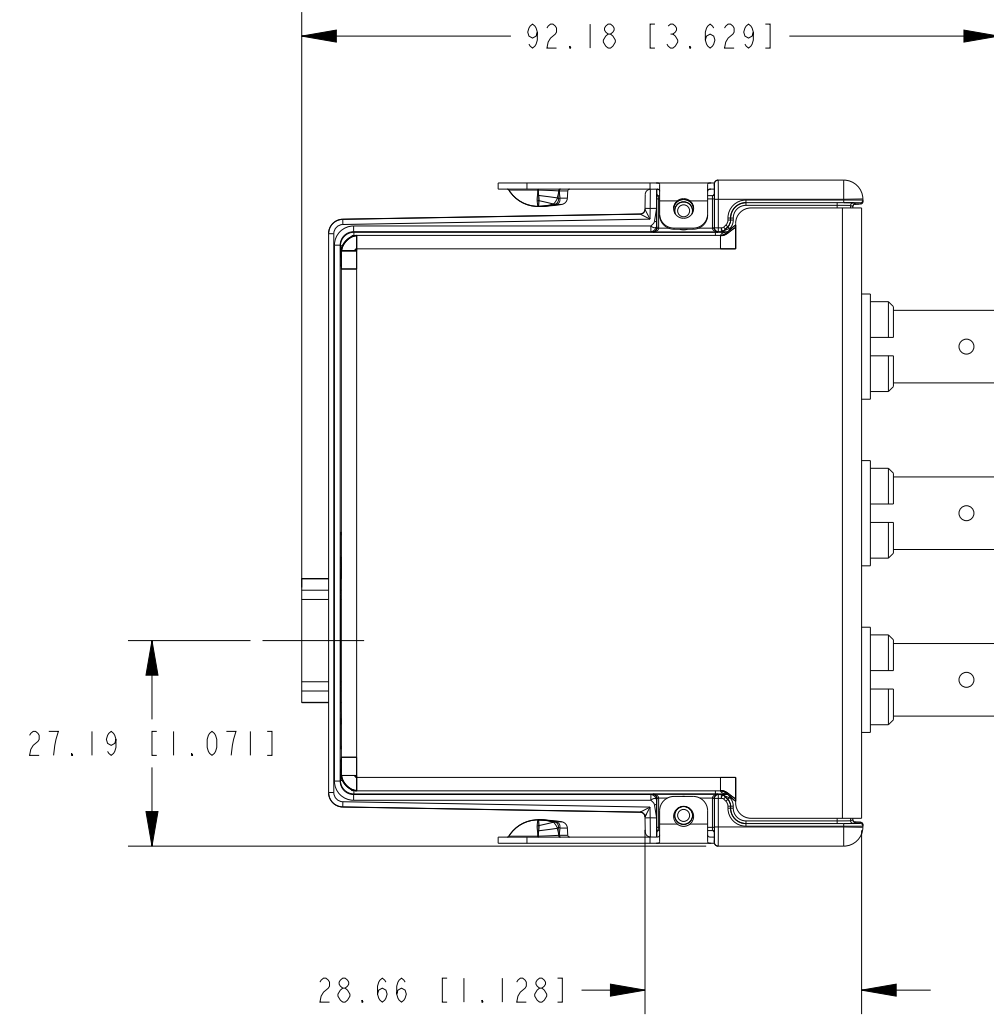


ISOMETRIC VIEW



METRIC

CUSTOMER DRAWING

UNLESS OTHERWISE SPECIFIED
 DIMENSIONS ARE IN MILLIMETERS
 AND [INCHES]



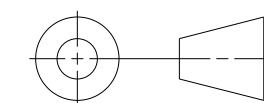
AUSTIN, TEXAS

DO NOT SCALE DRAWING

TITLE

NI-9230 BNC

THIRD ANGLE PROJECTION



SIZE CODE IDENT NO. MM/DD/YYYY

C7U296

05/03/19

SCALE: 1/1

SHEET 1 OF 1

1. REFER TO PRODUCT MANUAL ON NI.COM FOR MORE DETAILS
 NOTES: UNLESS OTHERWISE SPECIFIED.