

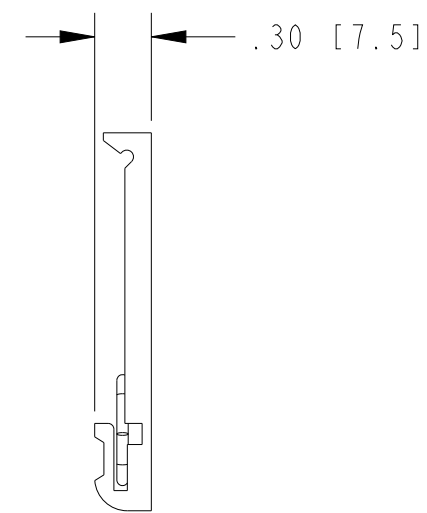
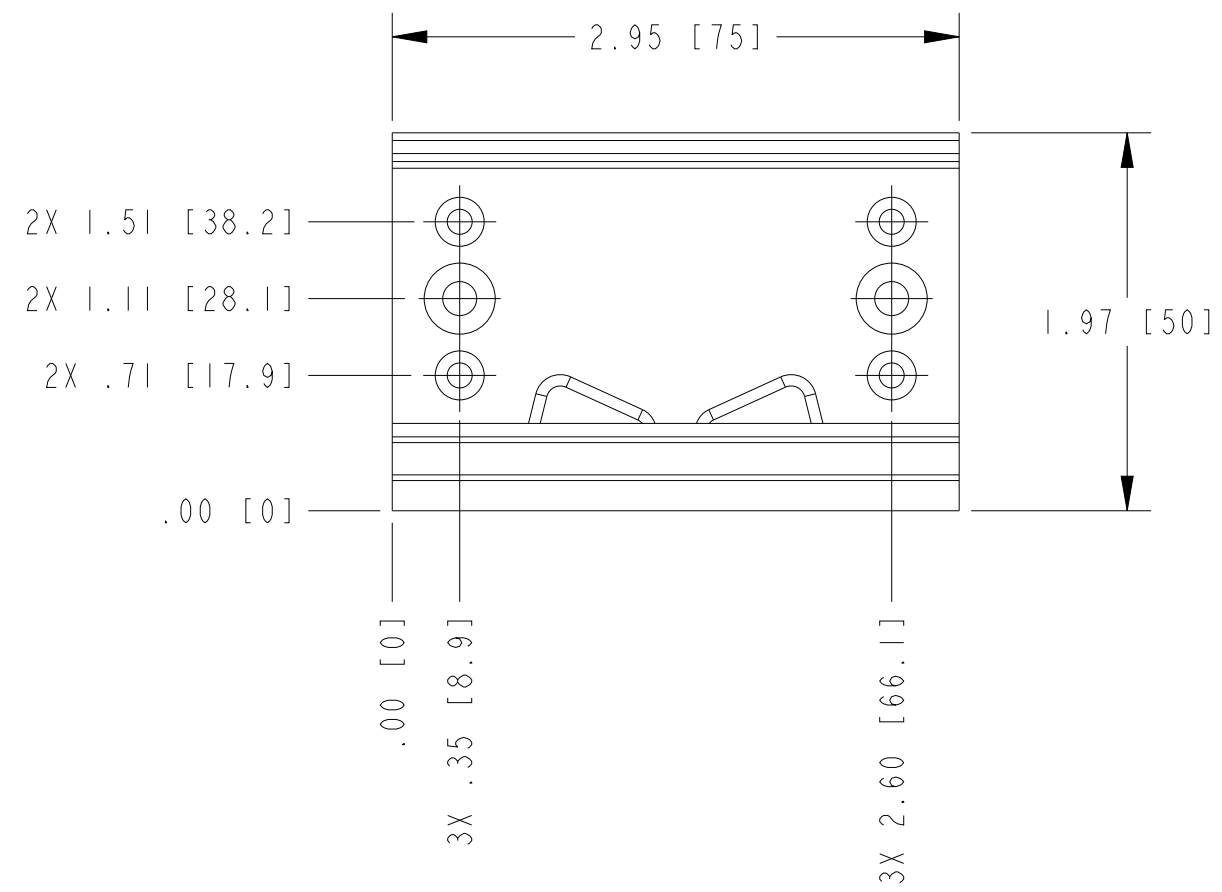
4

3

2

1

COPYRIGHT ©2010, 2021  
NATIONAL INSTRUMENTS CORPORATION AND ITS LICENSORS. ALL RIGHTS RESERVED.

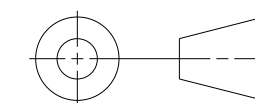


CUSTOMER DRAWING

UNLESS OTHERWISE SPECIFIED  
DIMENSIONS ARE IN INCHES AND  
[MILLIMETERS].

DO NOT SCALE DRAWING

THIRD ANGLE PROJECTION



AUSTIN, TEXAS

TITLE

DIN RAIL CLIP FOR  
DAQ AND GPIB

SIZE CODE IDENT NO. MM/DD/YYYY

C 7U296

02/03/21

SCALE: 1/1

SHEET 1 OF 1

CU\_DIN\_RAIL\_CLIP\_DAO

1. REFER TO PRODUCT MANUAL ON NI.COM FOR MORE DETAILS

4

3

2

1

D

C

B

A

D

C

B

A