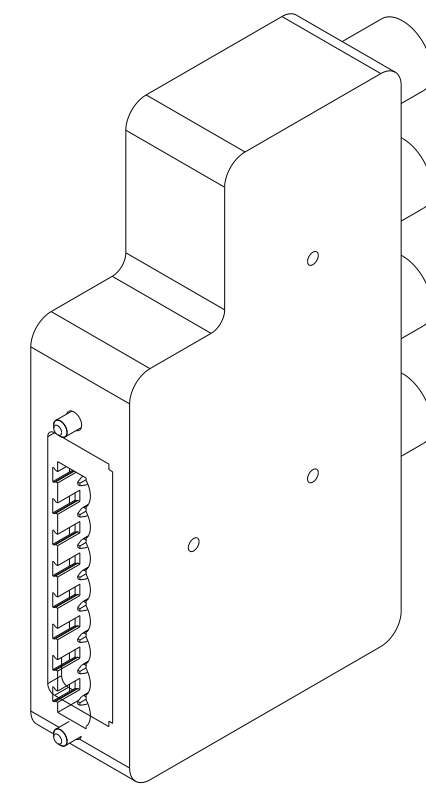
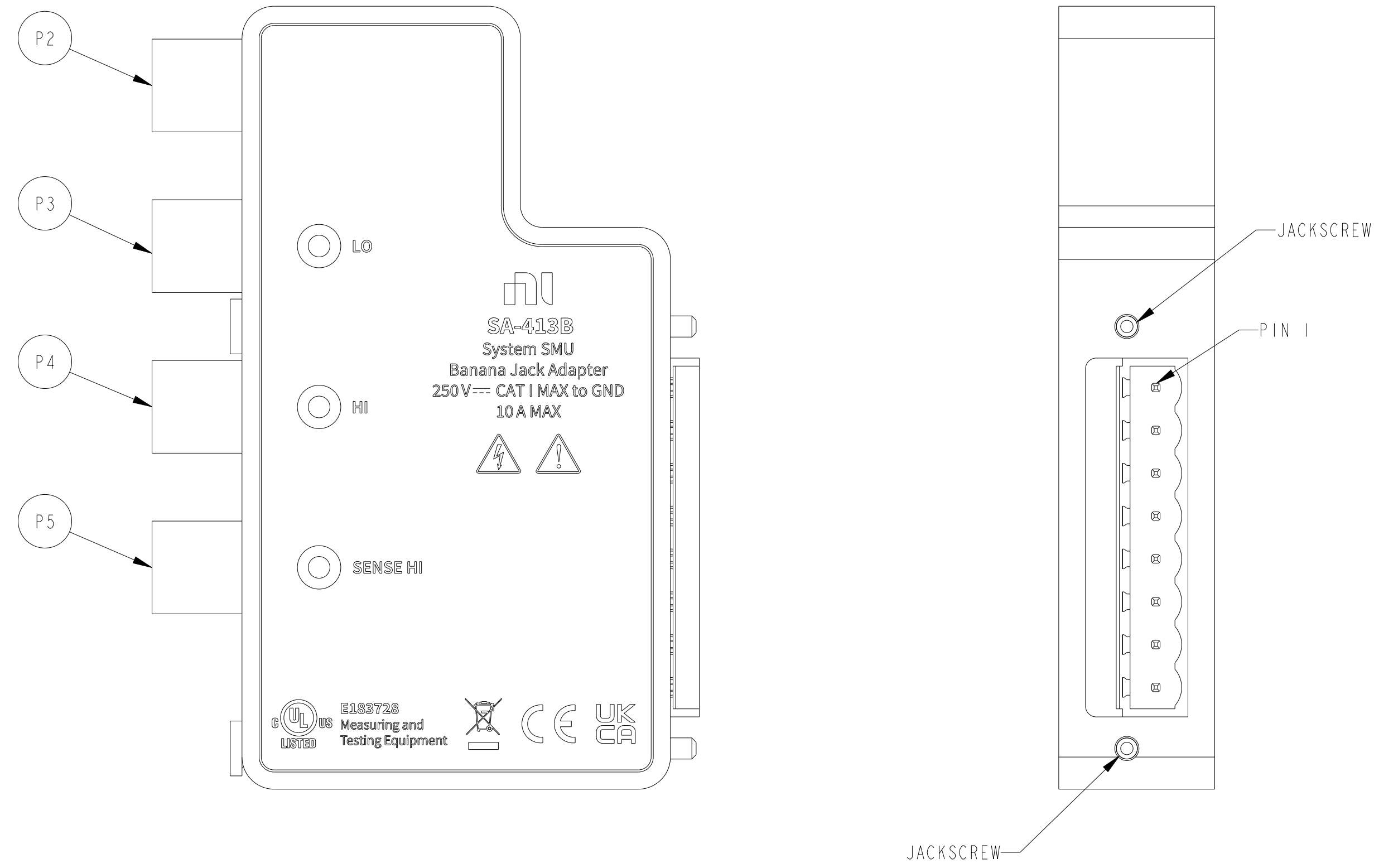


FRONT ISOMETRIC VIEW
 SCALE 1:1



REAR ISOMETRIC VIEW
 SCALE 1:1

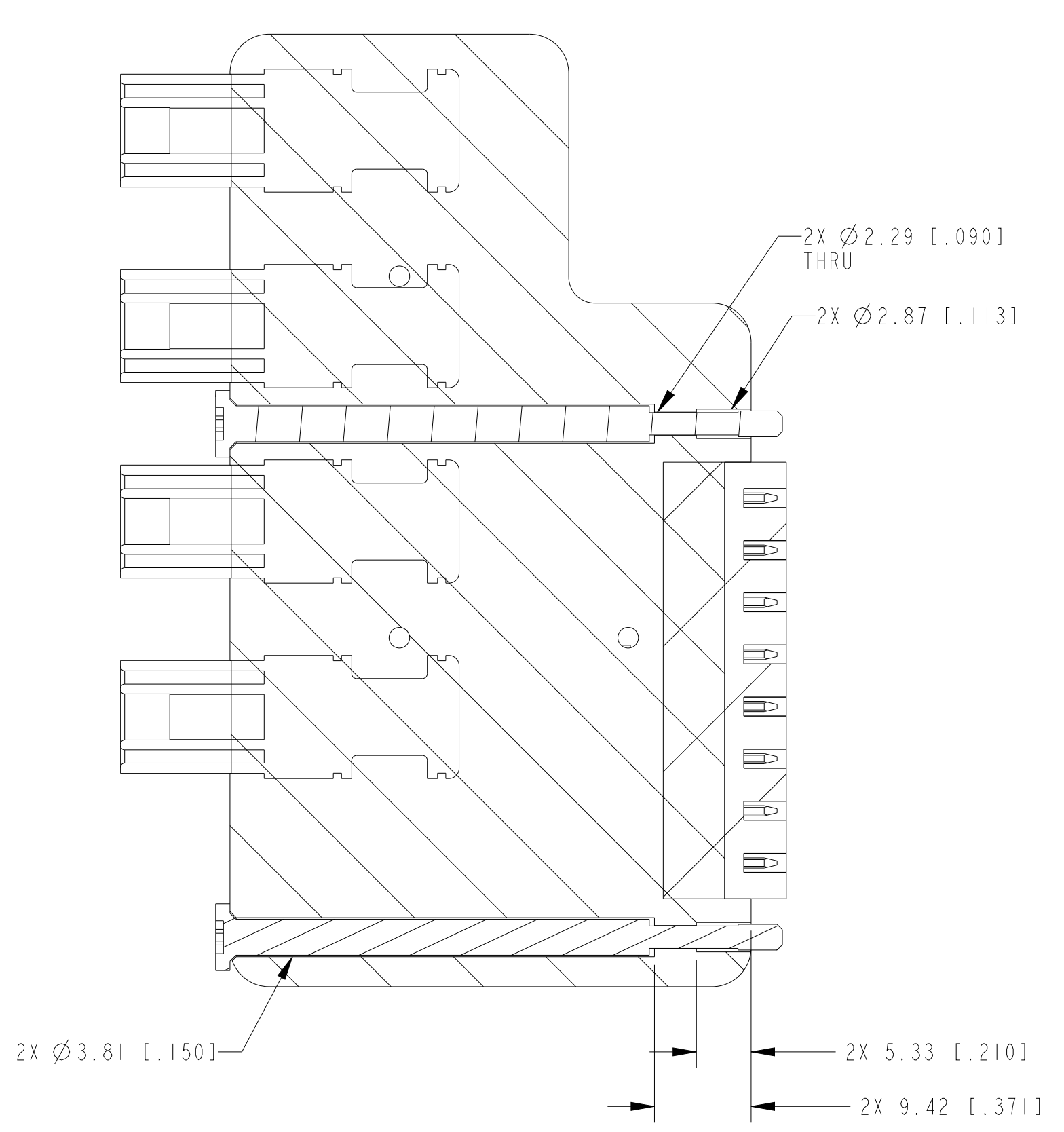


WIRING CHART

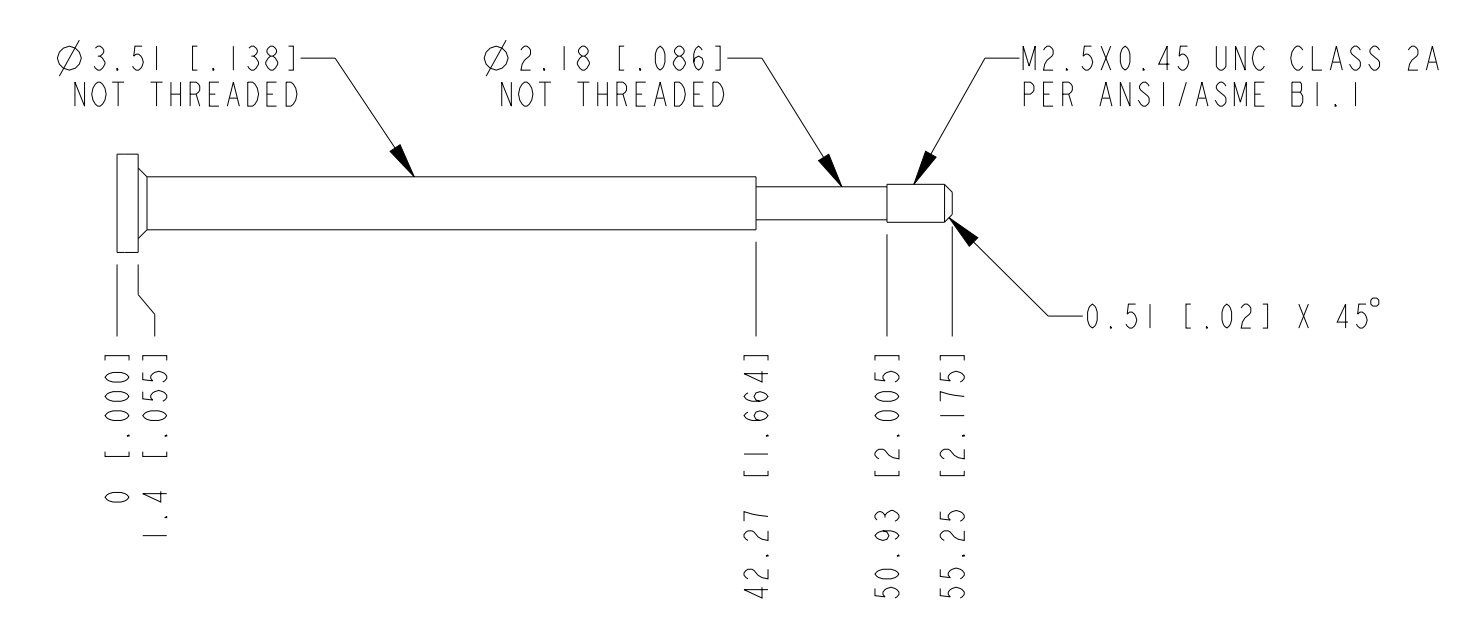
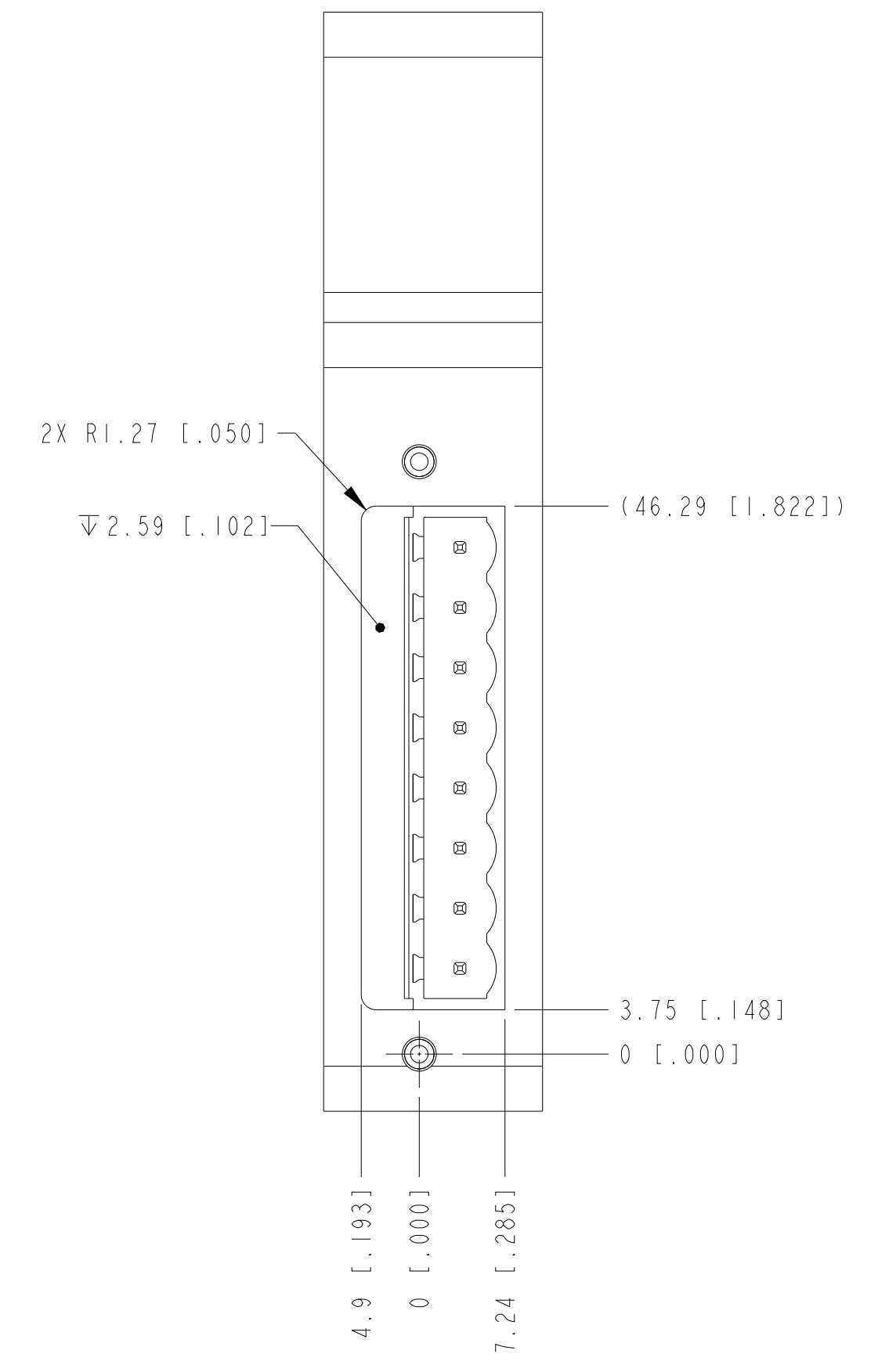
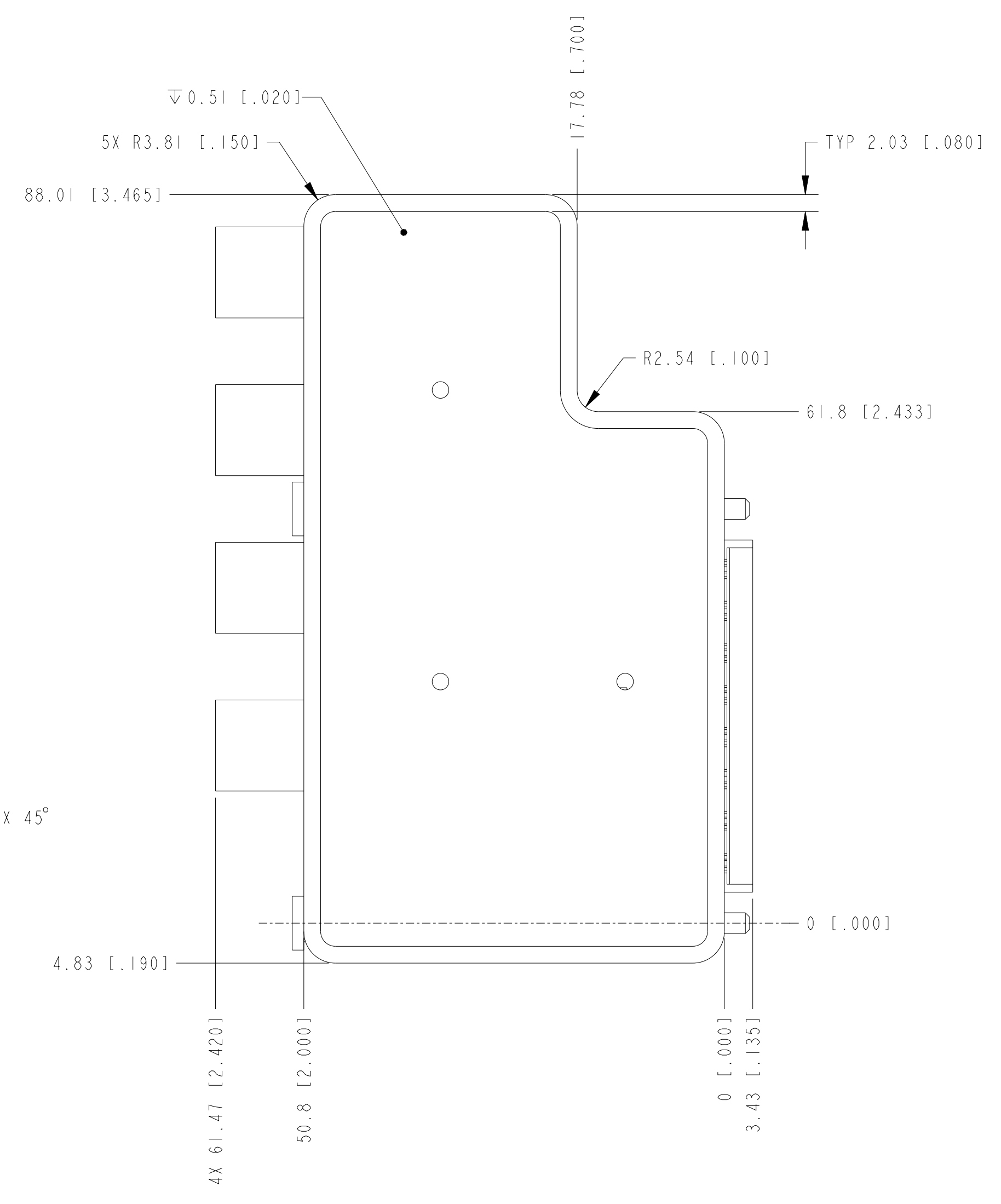
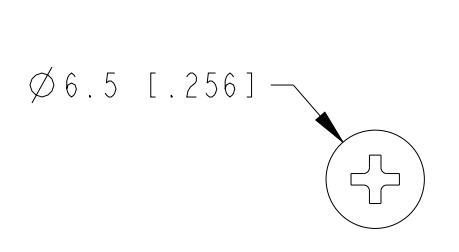
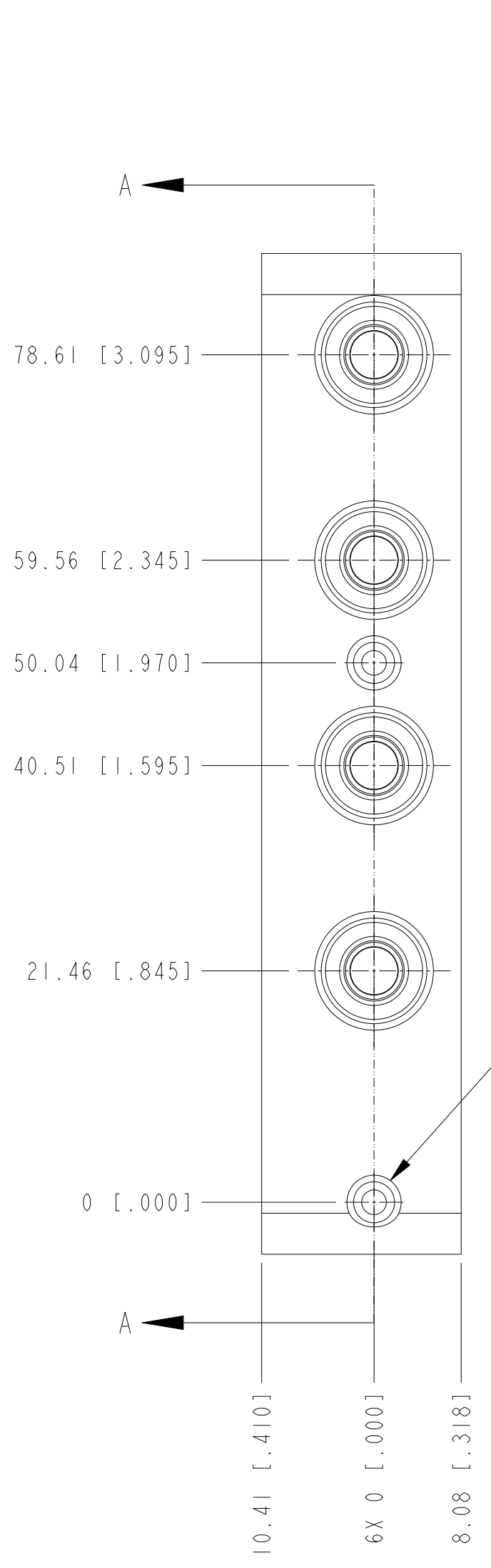
PI, PIN 1	P3	LO
PI, PIN 2	P2	SENSE LO (LOS)
PI, PIN 3	-	GUARD (G)
PI, PIN 4	P4	HI
PI, PIN 5		NC
PI, PIN 6		NC
PI, PIN 7		NC
PI, PIN 8	P5	SENSE HI (HIS)

1. REFER TO PRODUCT MANUAL ON NI.COM FOR MORE DETAILS
 NOTES: UNLESS OTHERWISE SPECIFIED.

METRIC	CUSTOMER DRAWING	
UNLESS OTHERWISE SPECIFIED DIMENSIONS ARE IN MILLIMETERS AND [INCHES]	NI.COM AUSTIN, TEXAS	
DO NOT SCALE DRAWING THIRD ANGLE PROJECTION	TITLE ADAPTER, NI SA-413B	
	SIZE CODE IDENT NO. MM/DD/YYYY	D 7U296 09/07/2021
	SCALE: 2/1	SHEET 1 OF 2



SECTION A-A



DETAIL B, JACKSCREW