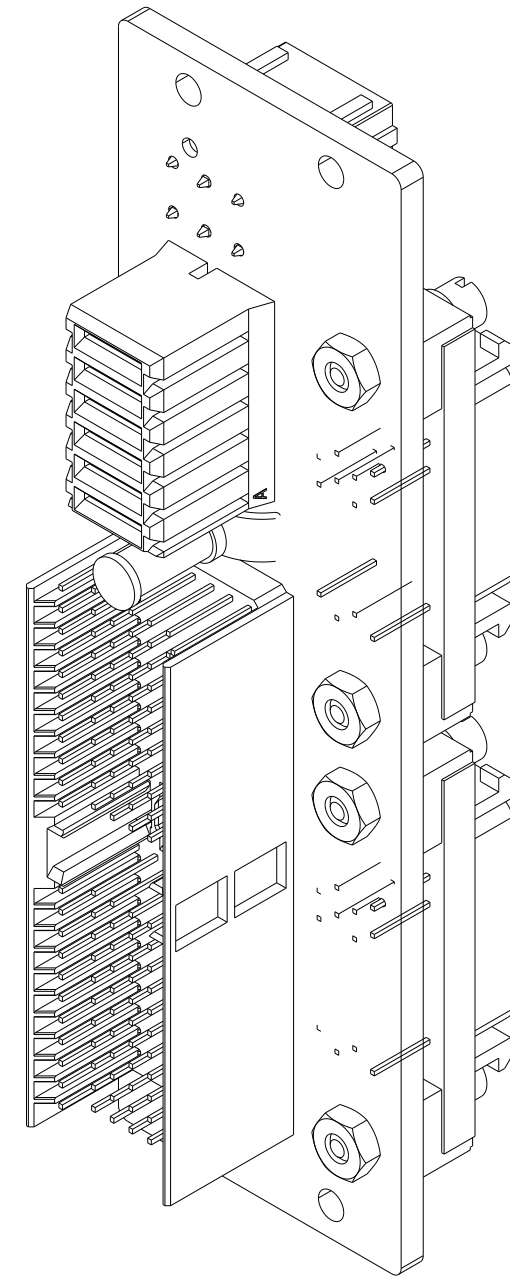
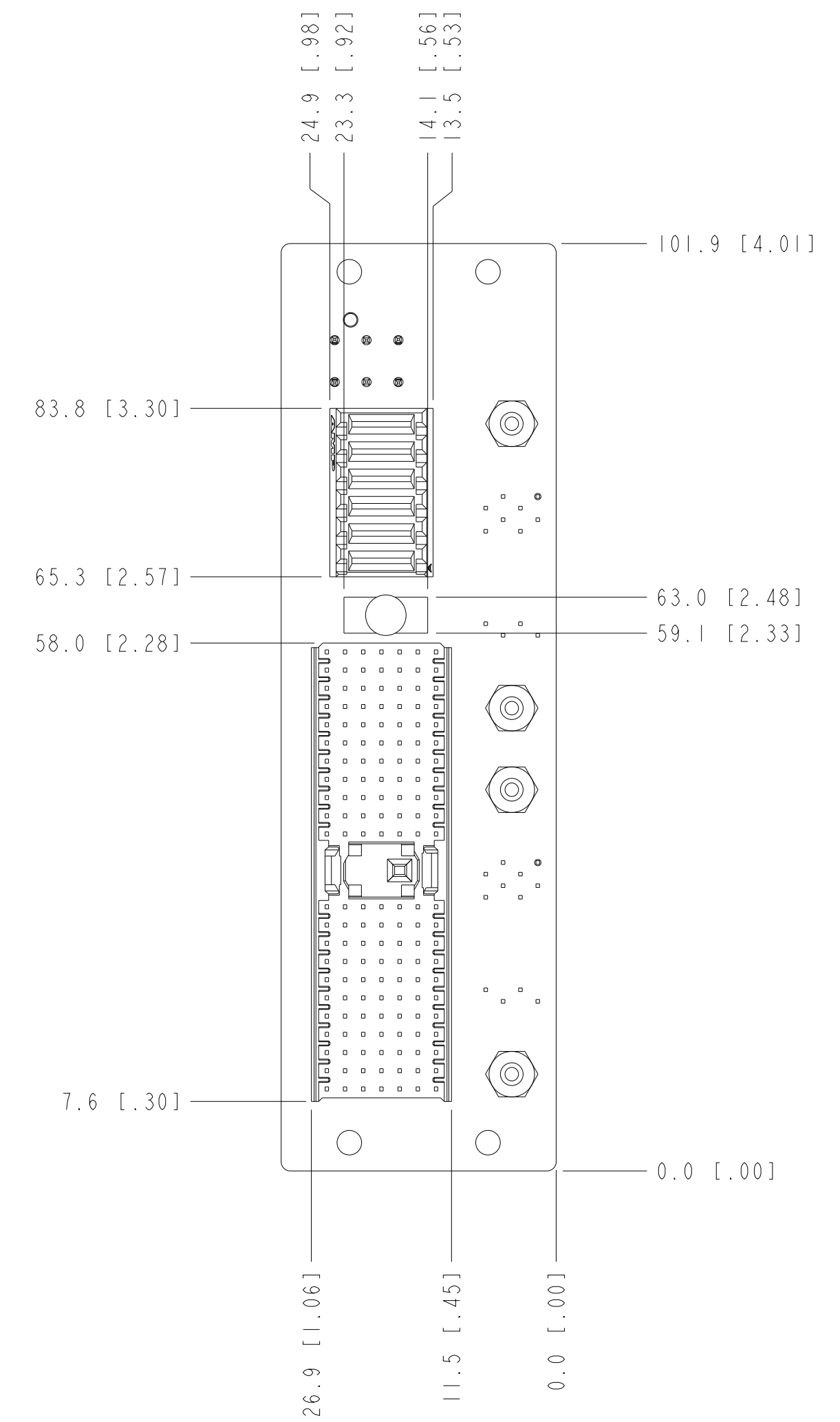
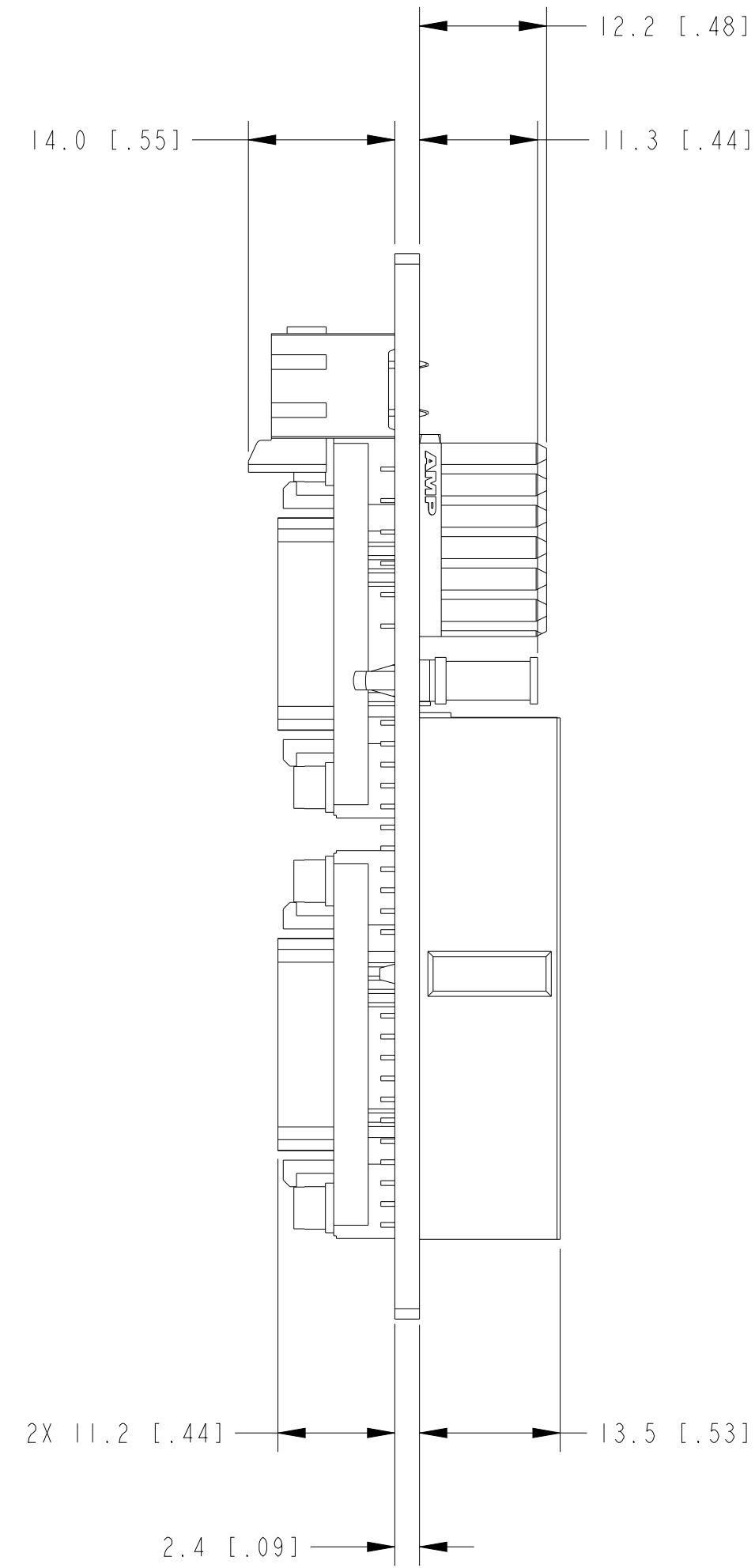
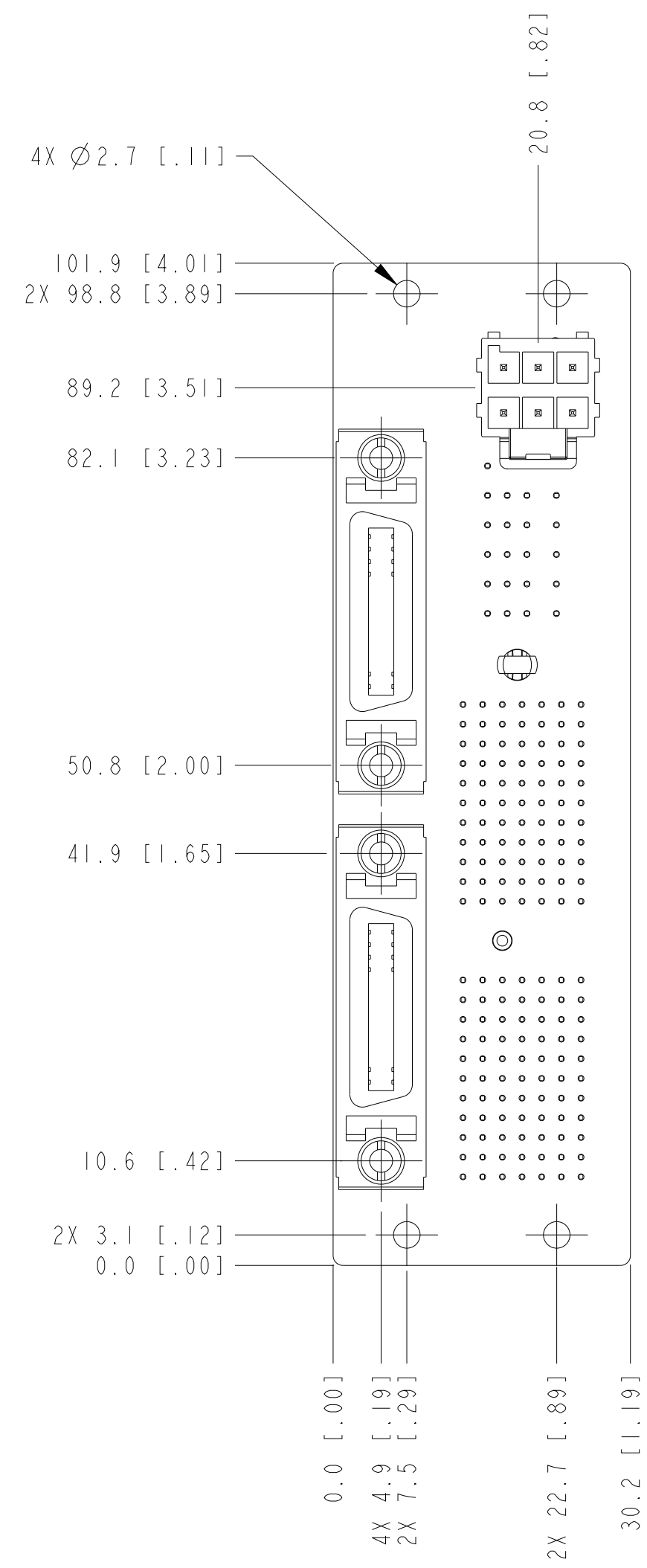


FRONT ISOMETRIC VIEW



REAR ISOMETRIC VIEW



1. REFER TO PRODUCT MANUAL ON NI.COM FOR MORE DETAILS
 NOTES: UNLESS OTHERWISE SPECIFIED.

METRIC

CUSTOMER DRAWING

UNLESS OTHERWISE SPECIFIED
 DIMENSIONS ARE IN MILLIMETERS
 AND [INCHES]

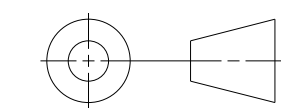


NI.COM
 AUSTIN, TEXAS

DO NOT SCALE DRAWING
 THIRD ANGLE PROJECTION

TITLE

RTI-12308



SIZE CODE IDENT NO. MM/DD/YYYY
 D 7U296 07/29/20

SCALE: 7/4 SHEET 1 OF 1