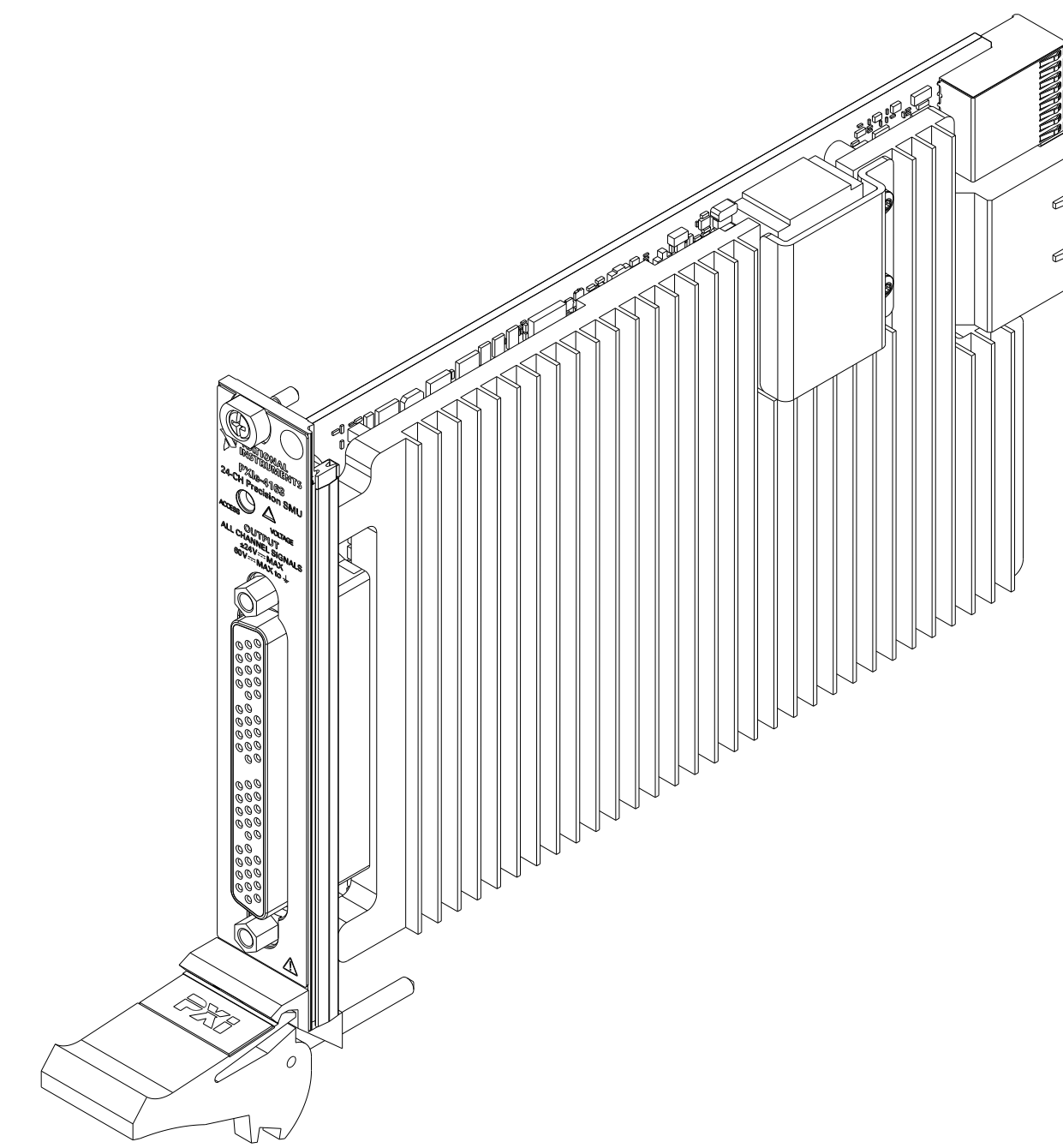
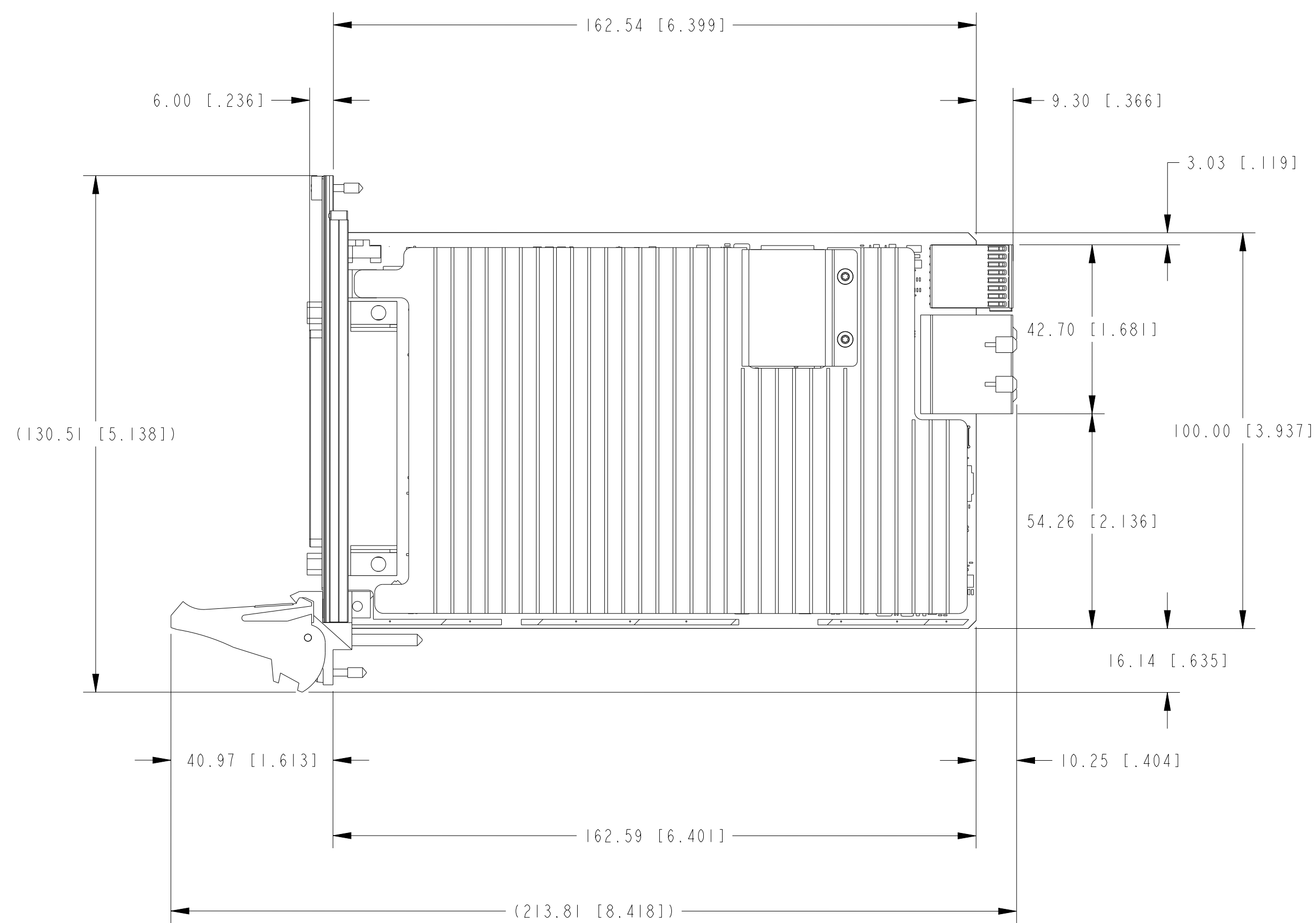


PXIe-4163 VERSION SHOWN



PXIe-4163 VERSION SHOWN

2. DIMENSIONS IN () ARE FOR REFERENCE ONLY.
 1. REFER TO PRODUCT MANUAL ON NI.COM FOR MORE DETAILS
 NOTES: UNLESS OTHERWISE SPECIFIED.

METRIC

CUSTOMER DRAWING

UNLESS OTHERWISE SPECIFIED
 DIMENSIONS ARE IN MILLIMETERS
 AND INCHES

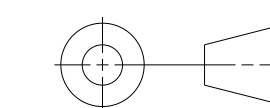


AUSTIN, TEXAS

DO NOT SCALE DRAWING
 THIRD ANGLE PROJECTION

TITLE

PXIe-4162/4163



SIZE CODE IDENT NO. MM/DD/YYYY
 D 7U296 06/05/2020

SCALE: 1/1

SHEET 1 OF 1

CU.PXIe-4163