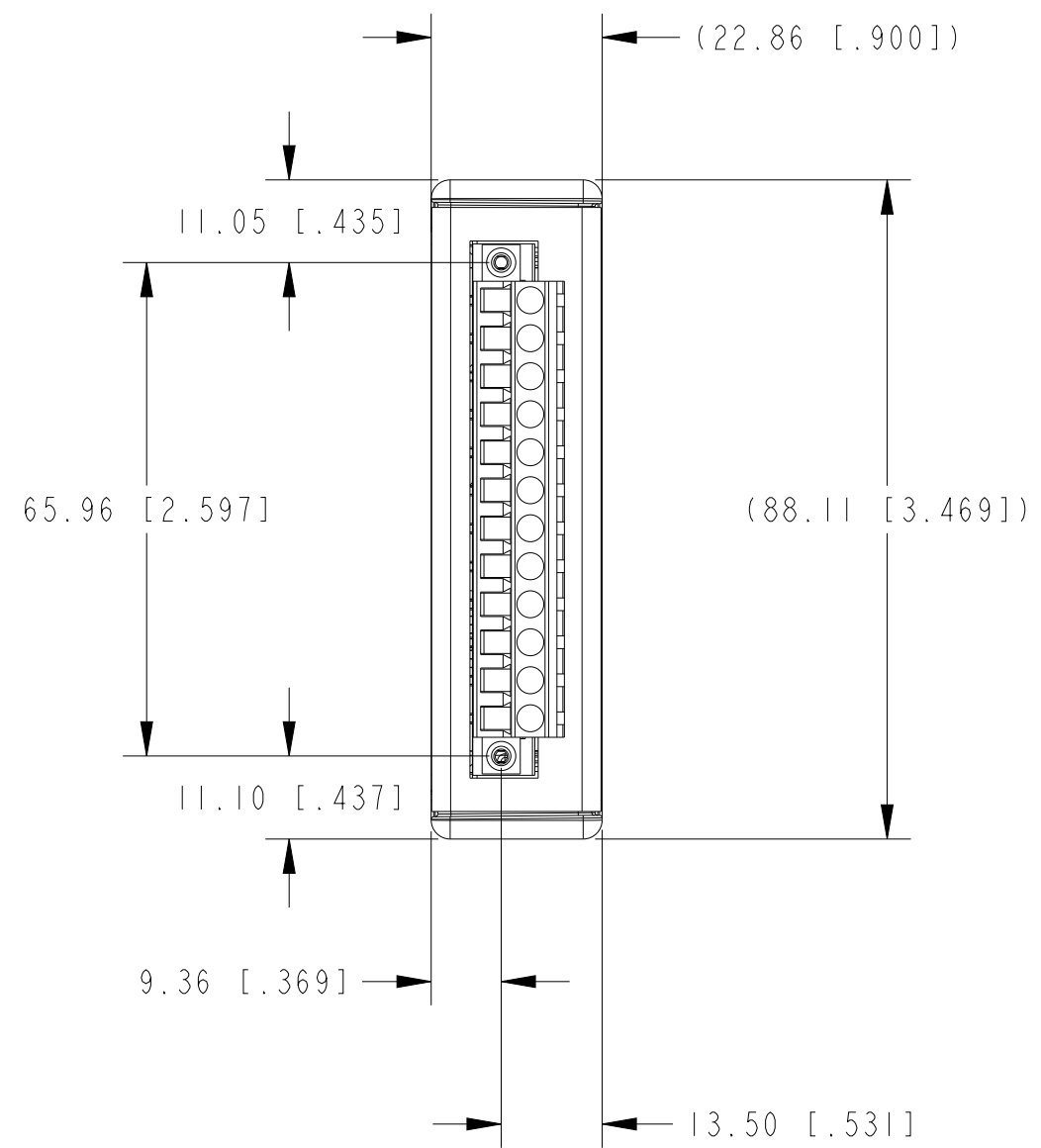
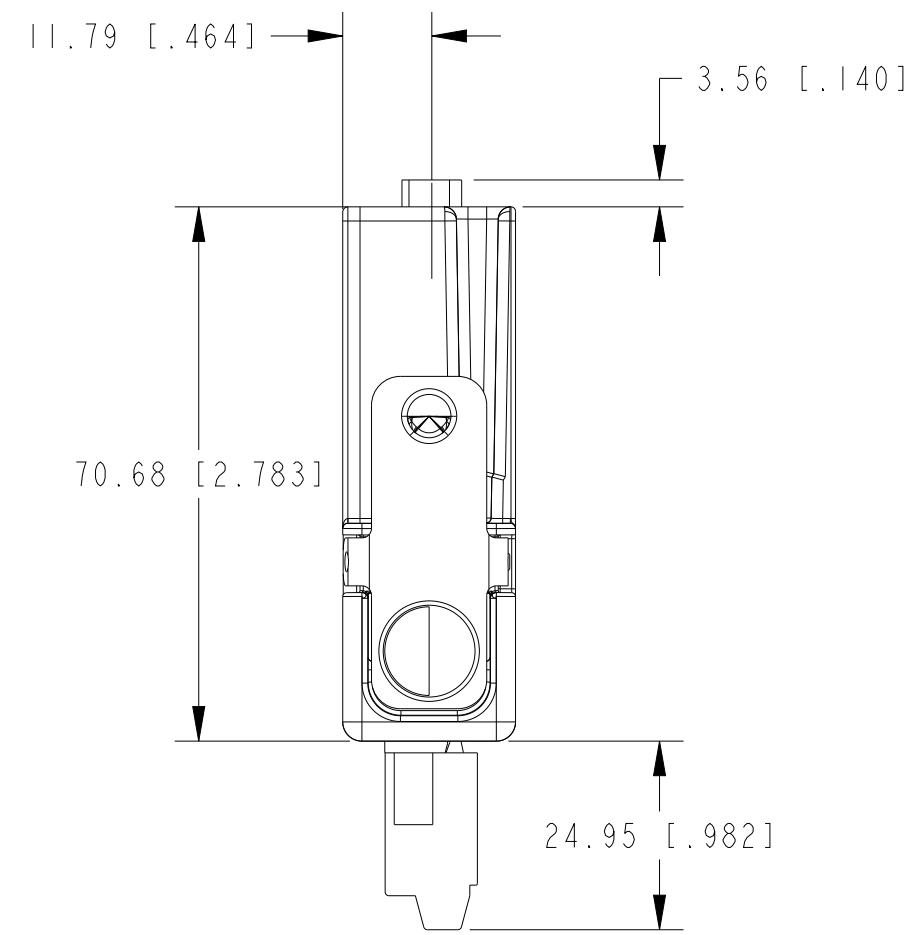
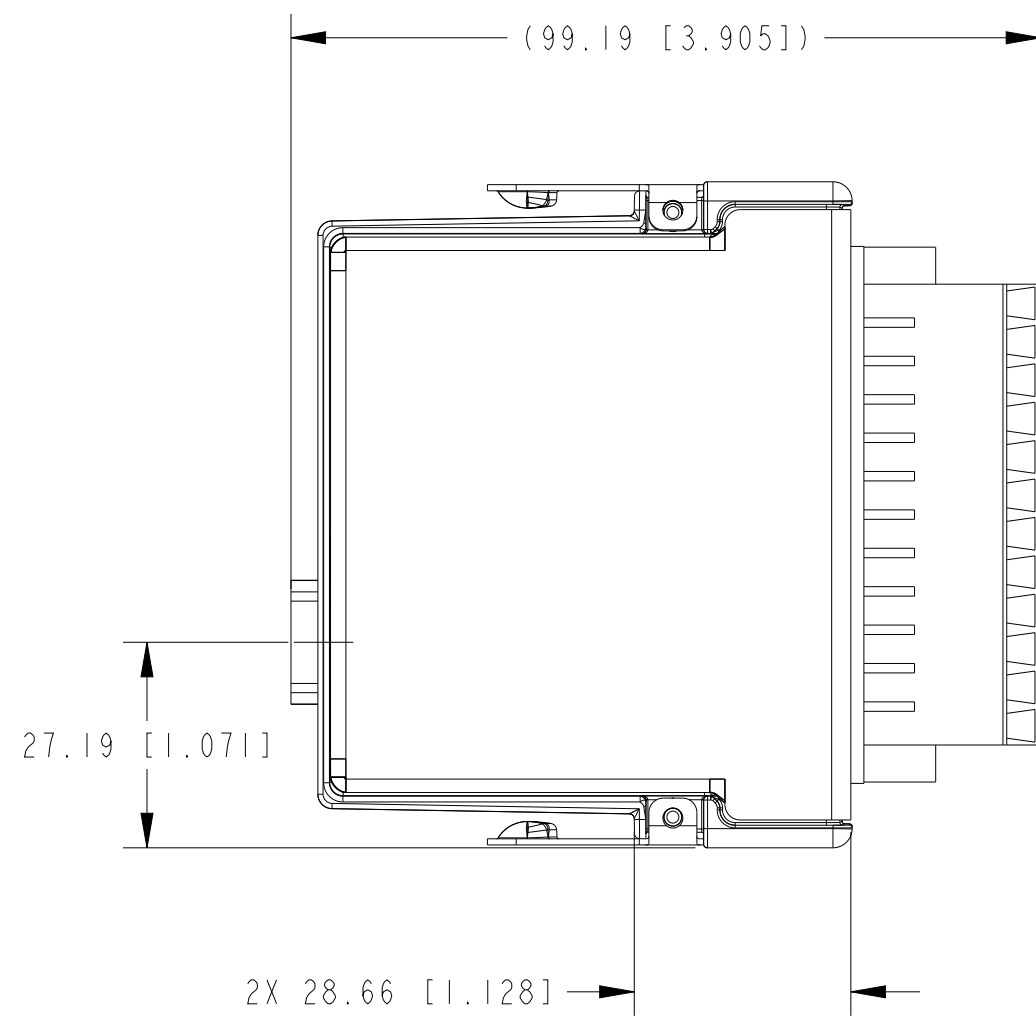


ISOMETRIC VIEW



METRIC

CUSTOMER DRAWING

UNLESS OTHERWISE SPECIFIED  
 DIMENSIONS ARE IN MILLIMETERS  
 AND [INCHES]



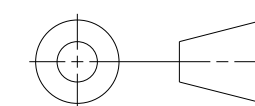
AUSTIN, TEXAS

DO NOT SCALE DRAWING

TITLE

THIRD ANGLE PROJECTION

NI 9326



SIZE CODE IDENT NO. MM/DD/YYYY

C 7U296

05/14/2020

SCALE: 1/1

SHEET 1 OF 1

2. DIMENSIONS IN ( ) ARE FOR REFERENCE ONLY.

1. REFER TO PRODUCT MANUAL ON NI.COM FOR MORE DETAILS

NOTES: UNLESS OTHERWISE SPECIFIED.