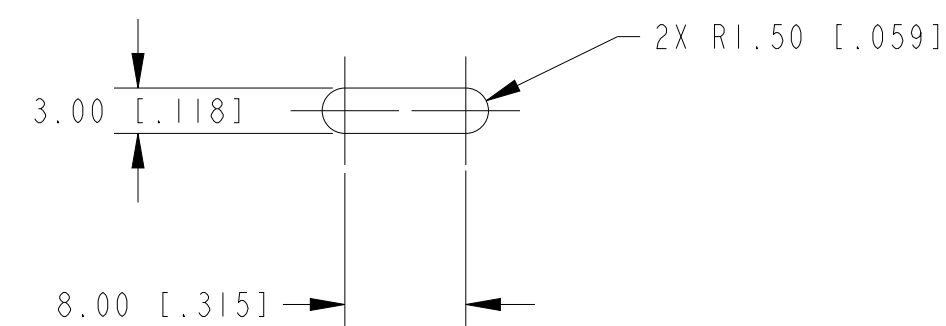
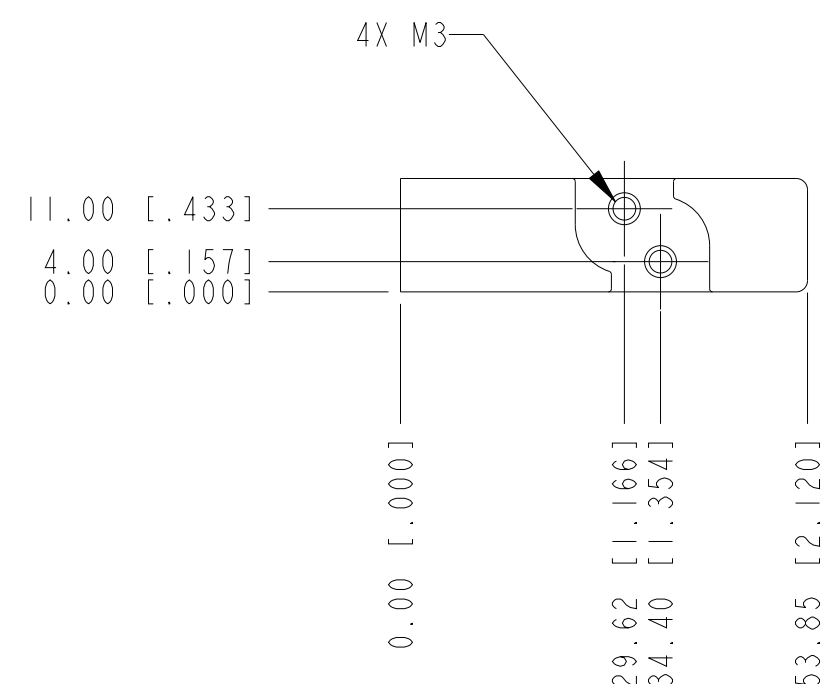
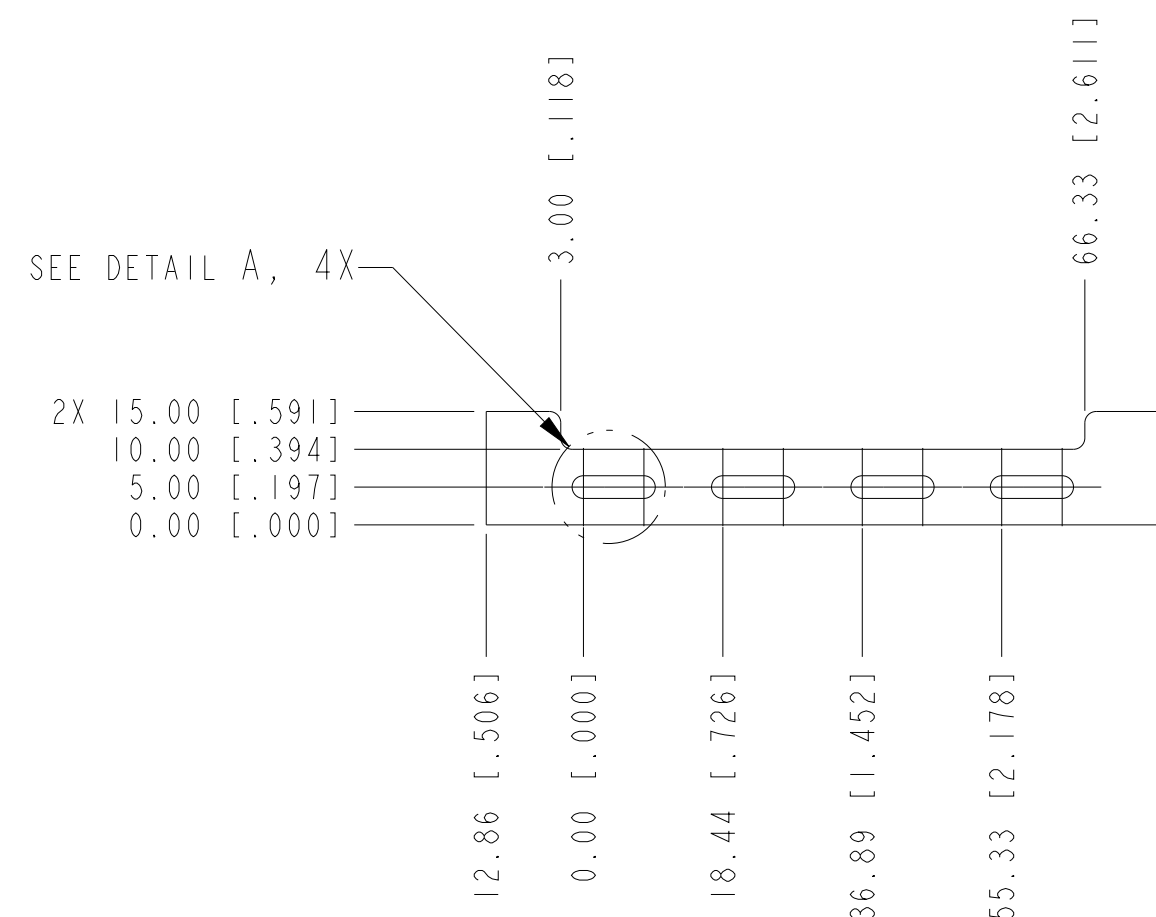


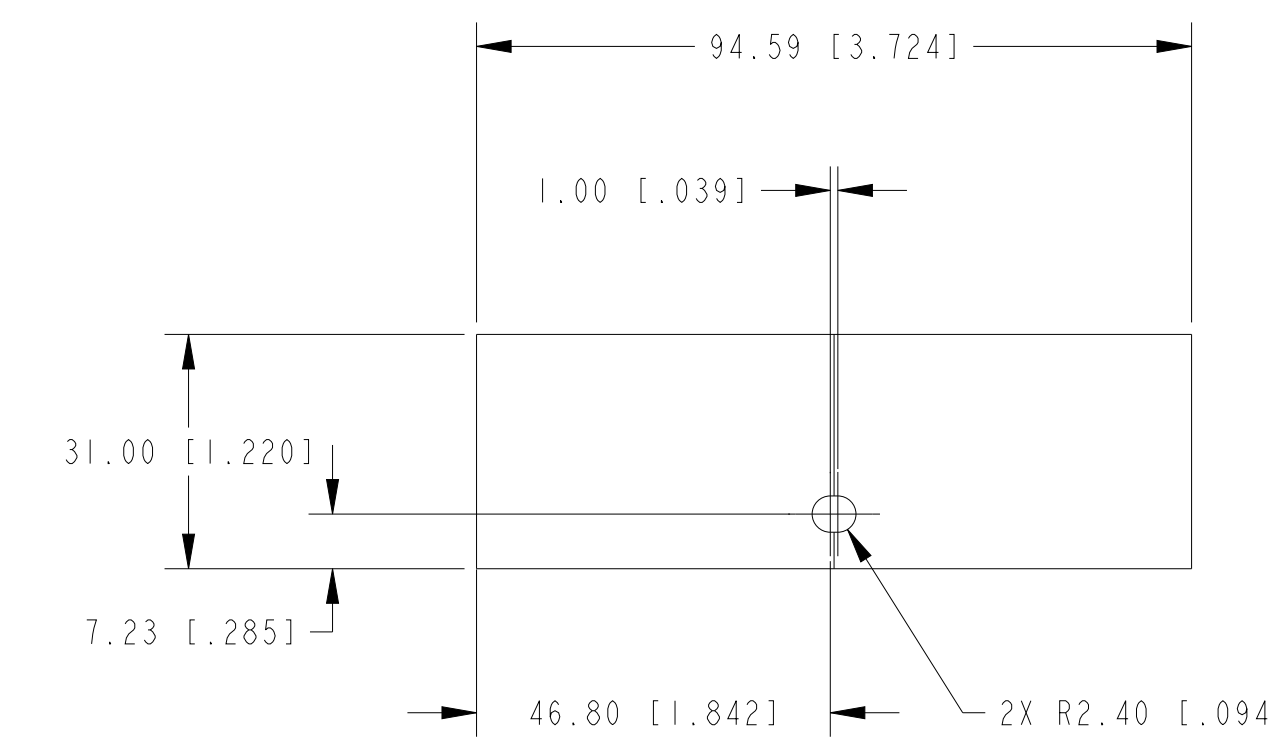
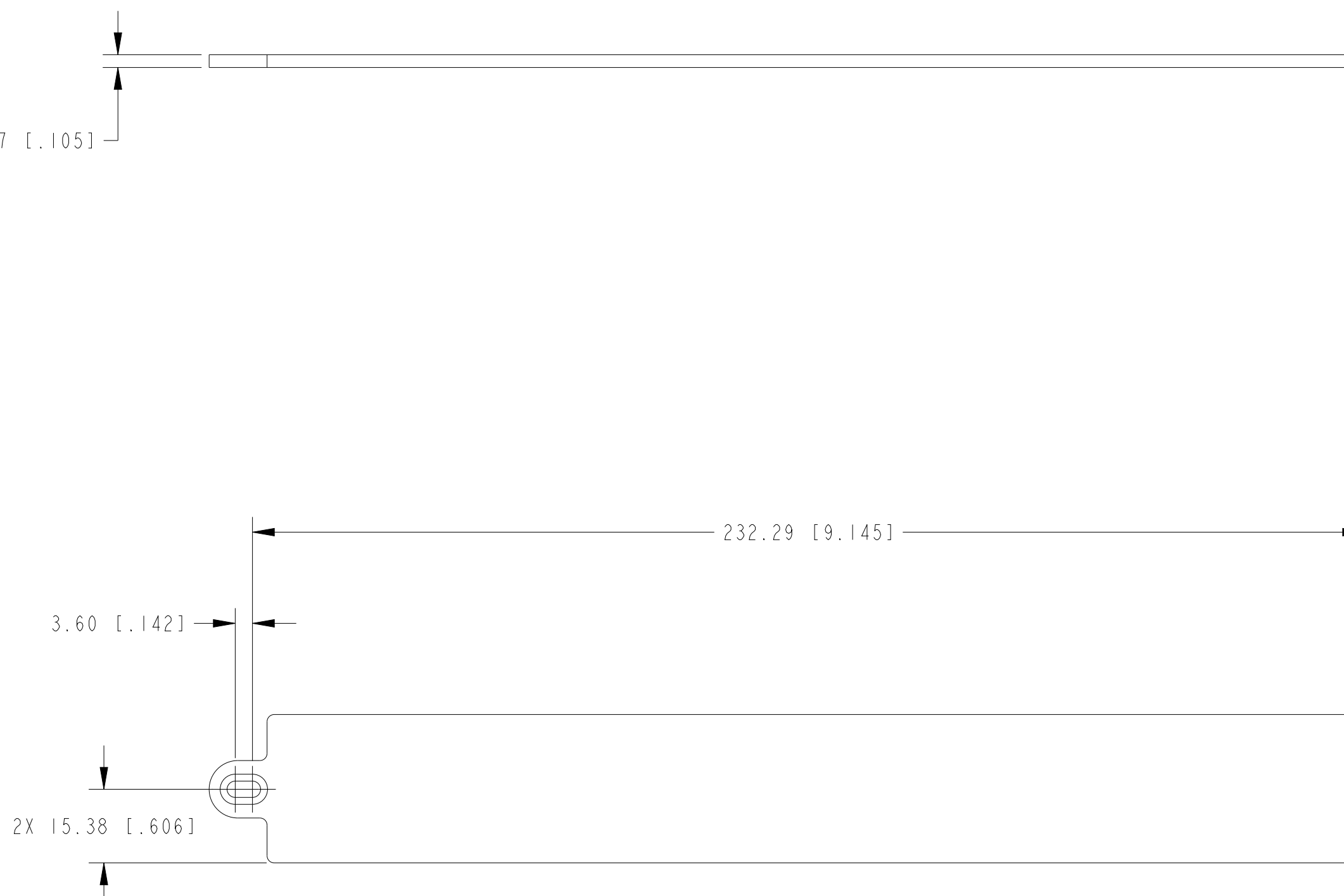
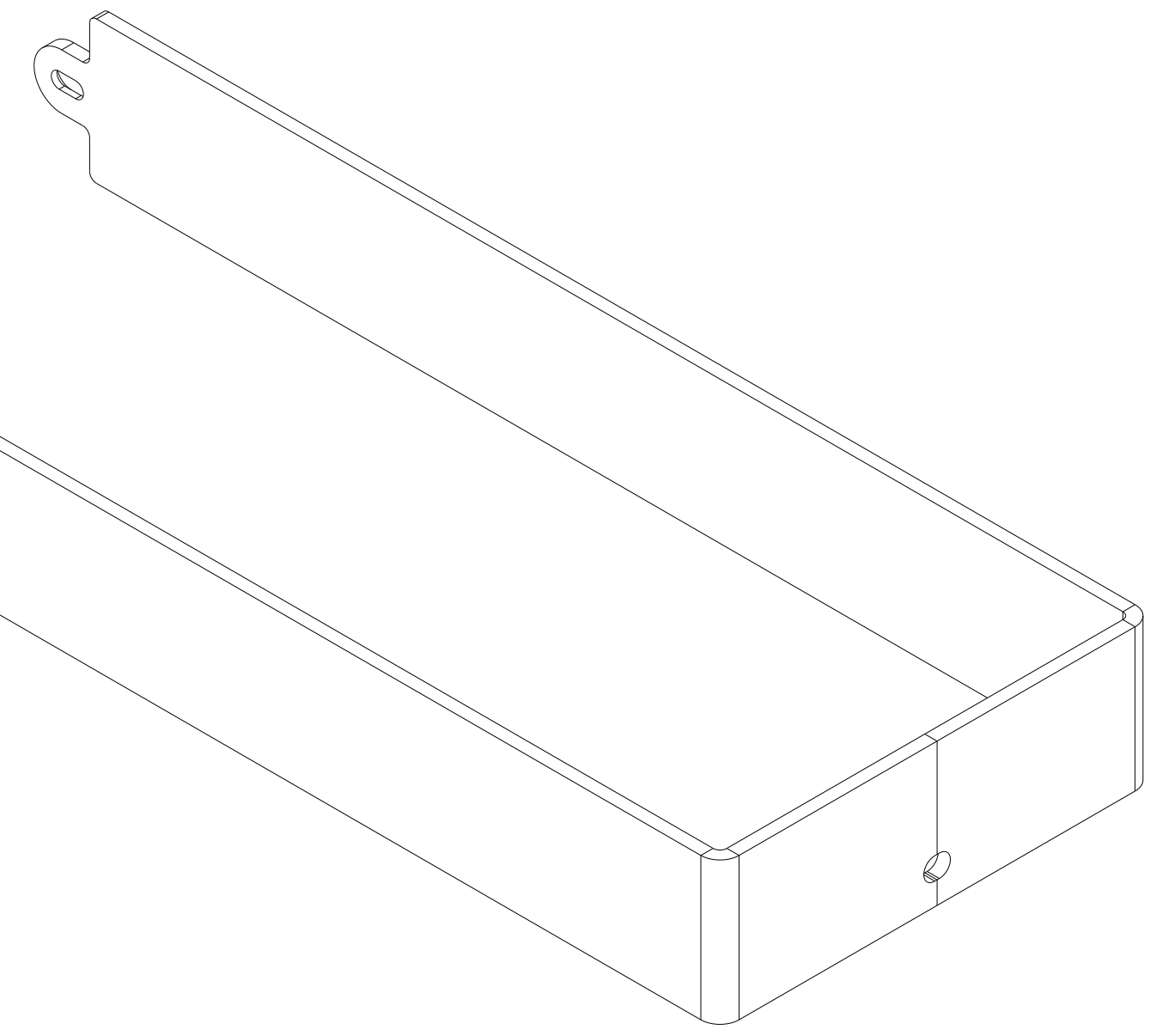
IMMOBILIZATION BRACKET
 ISOMETRIC VIEW



DETAIL A
 SCALE 2/1



8-SLOT BRACKET ISOMETRIC VIEW



2. DIMENSIONS IN () ARE FOR REFERENCE ONLY.
 1. REFER TO PRODUCT MANUAL ON NI.COM FOR MORE DETAILS
 NOTES: UNLESS OTHERWISE SPECIFIED.

METRIC

CUSTOMER DRAWING

UNLESS OTHERWISE SPECIFIED
 DIMENSIONS ARE IN MILLIMETERS
 AND INCHES
 DO NOT SCALE DRAWING
 THIRD ANGLE PROJECTION

NI.COM AUSTIN, TEXAS	
TITLE MODULE IMMOBILIZATION ACCESSORY FOR 8-SLOT cRIO AND cDAQ CONTROLLERS	
SIZE CODE IDENT NO MM/DD/YYYY D 7U296 09/30/2020	
SCALE: 1/1	SHEET 1 OF 1