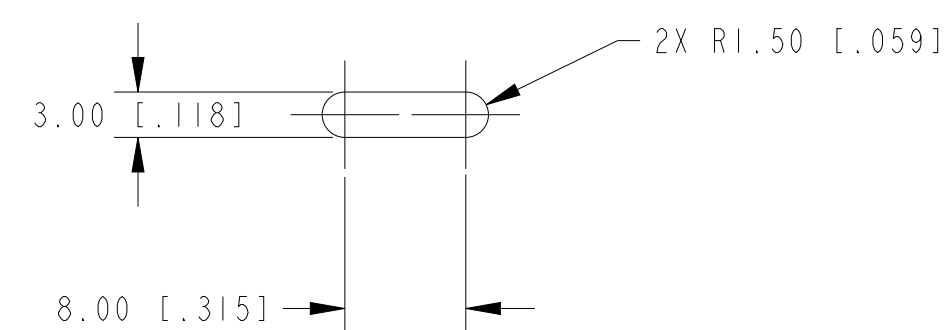
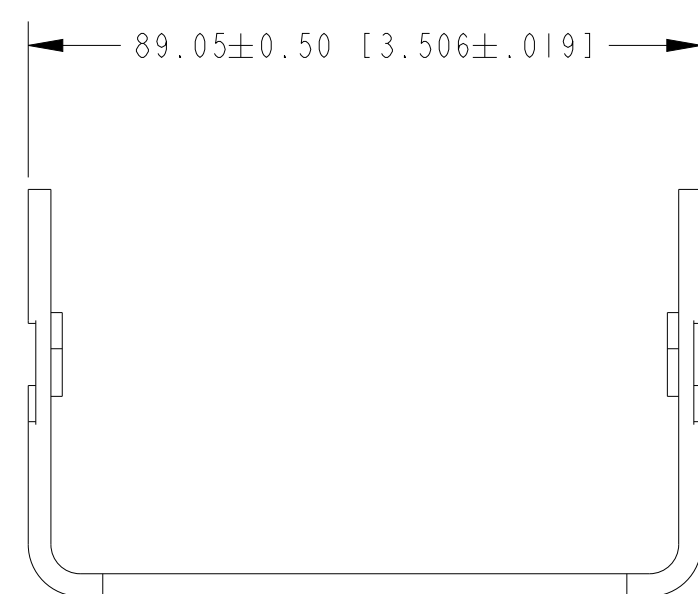
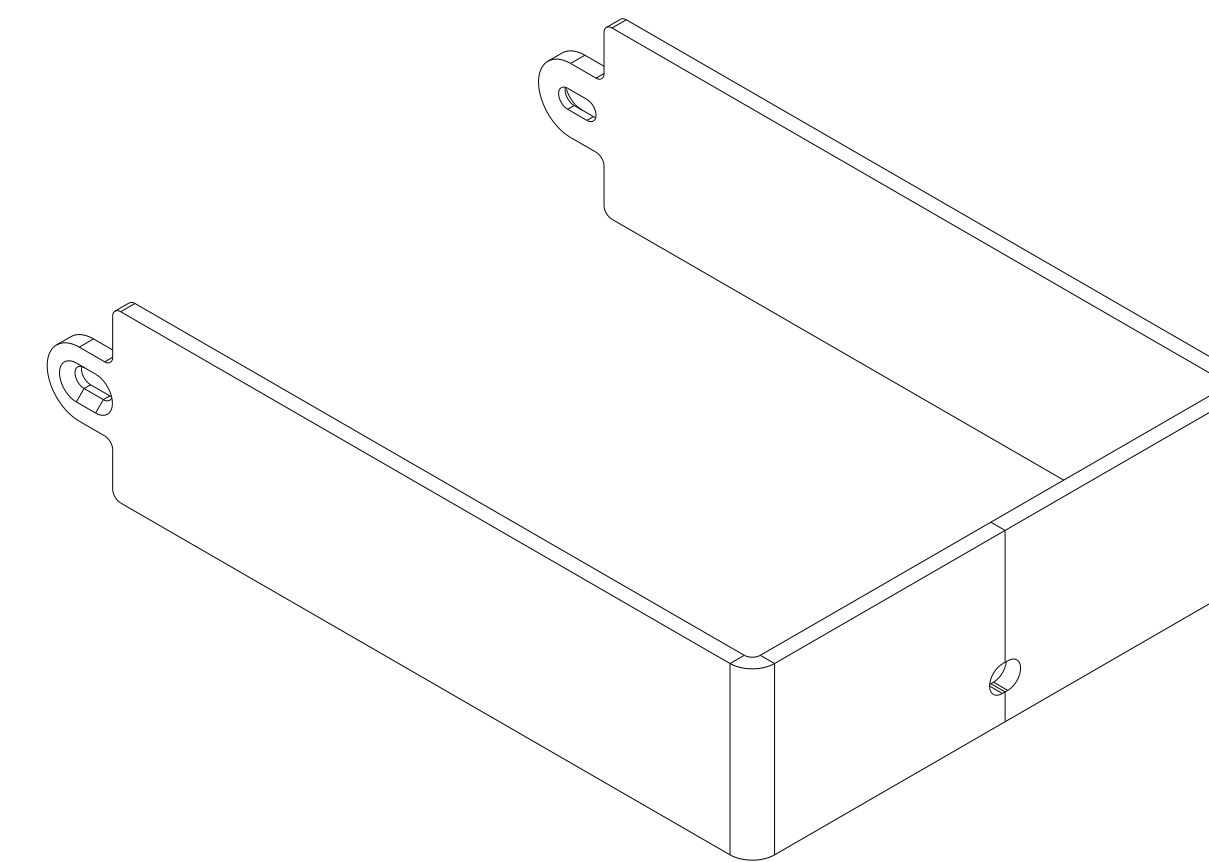
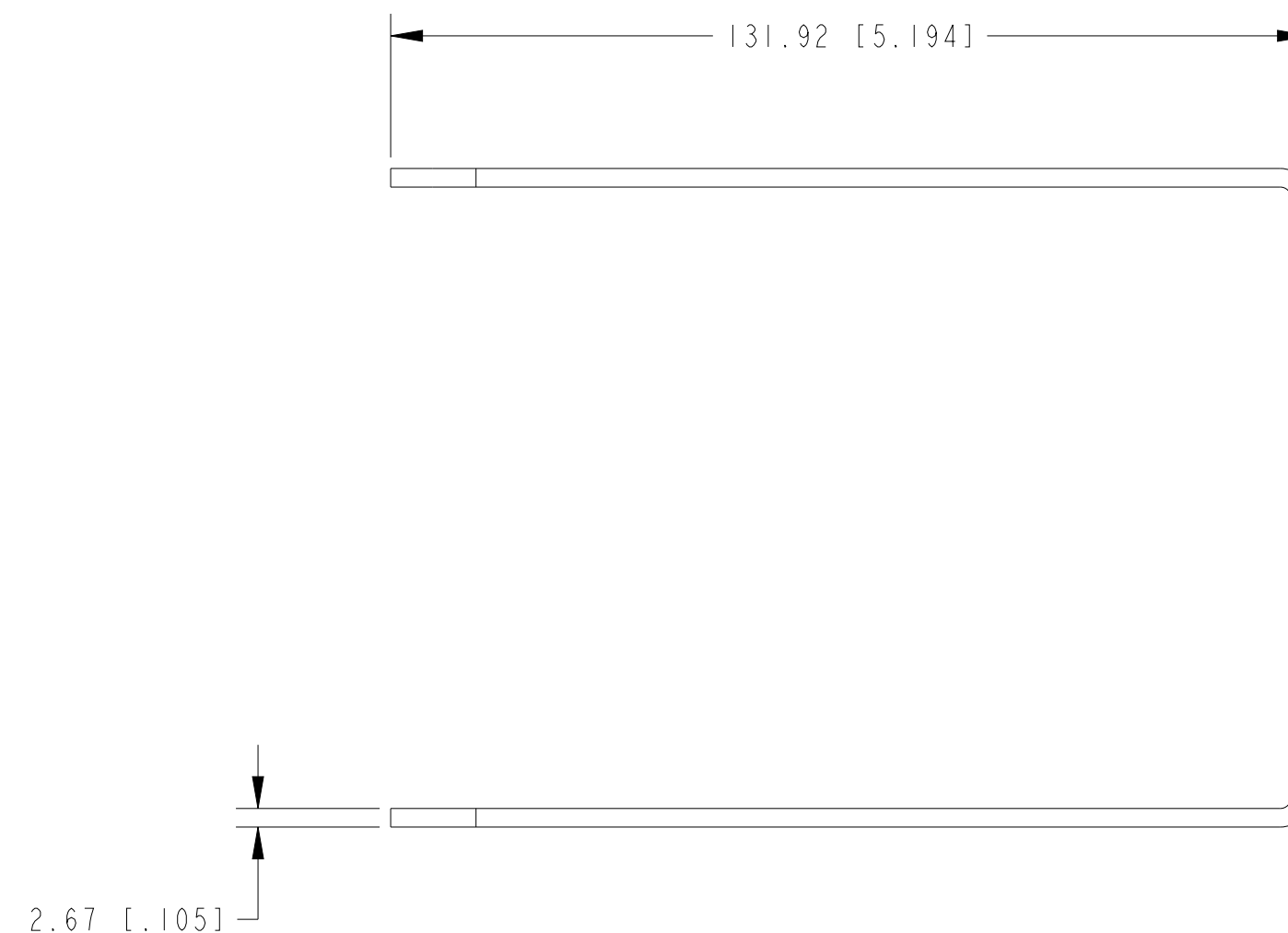
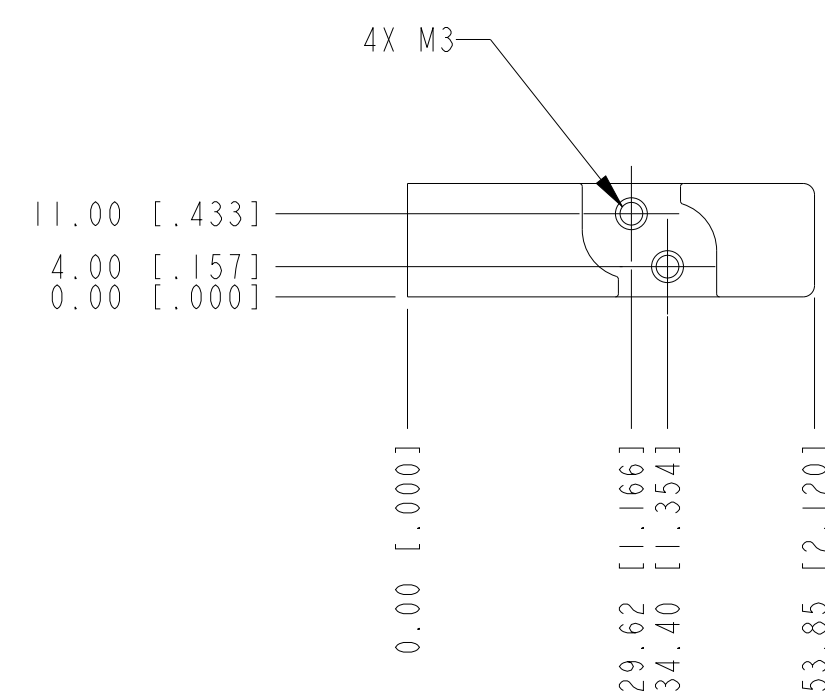
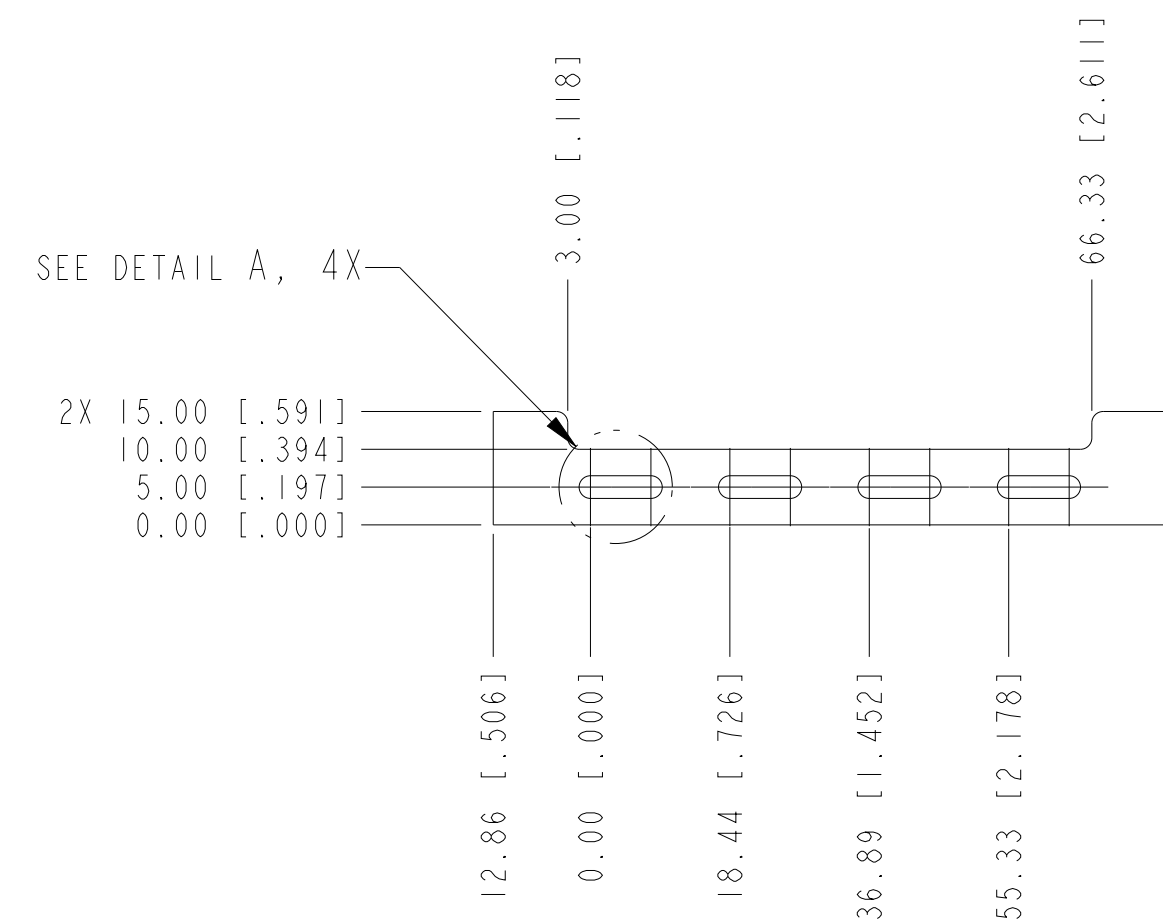


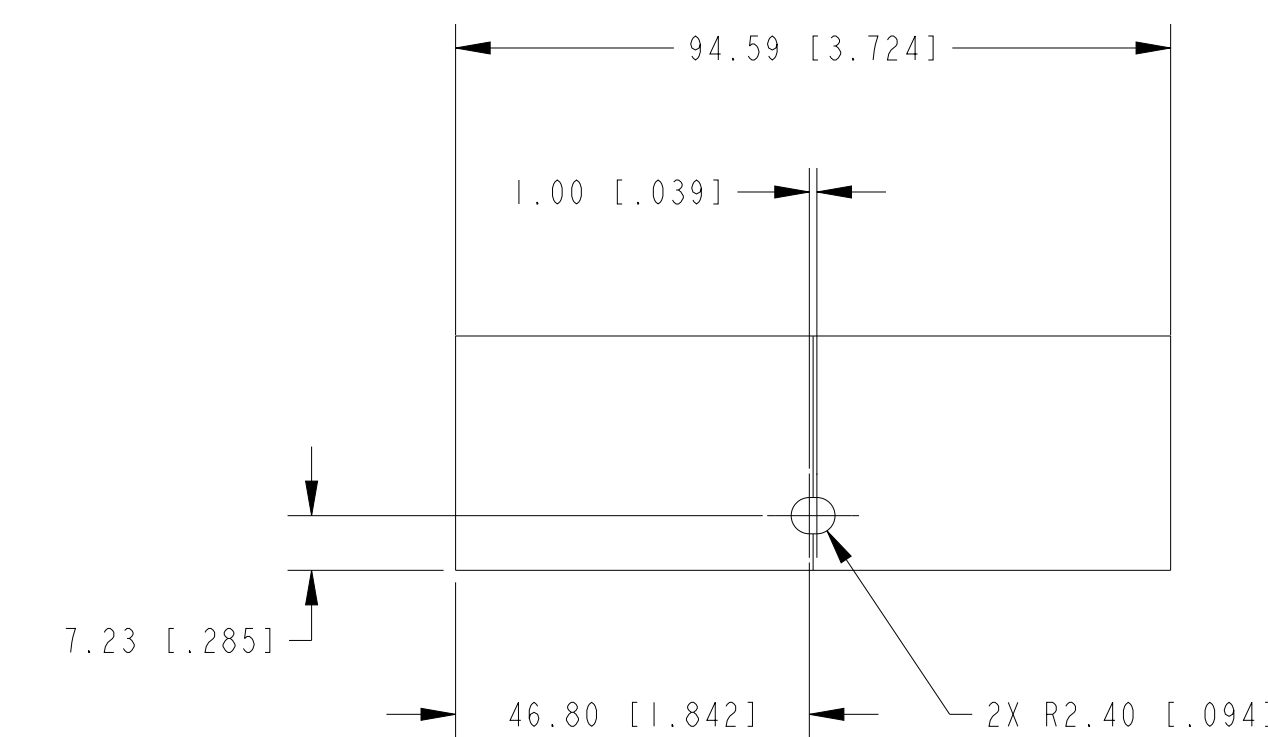
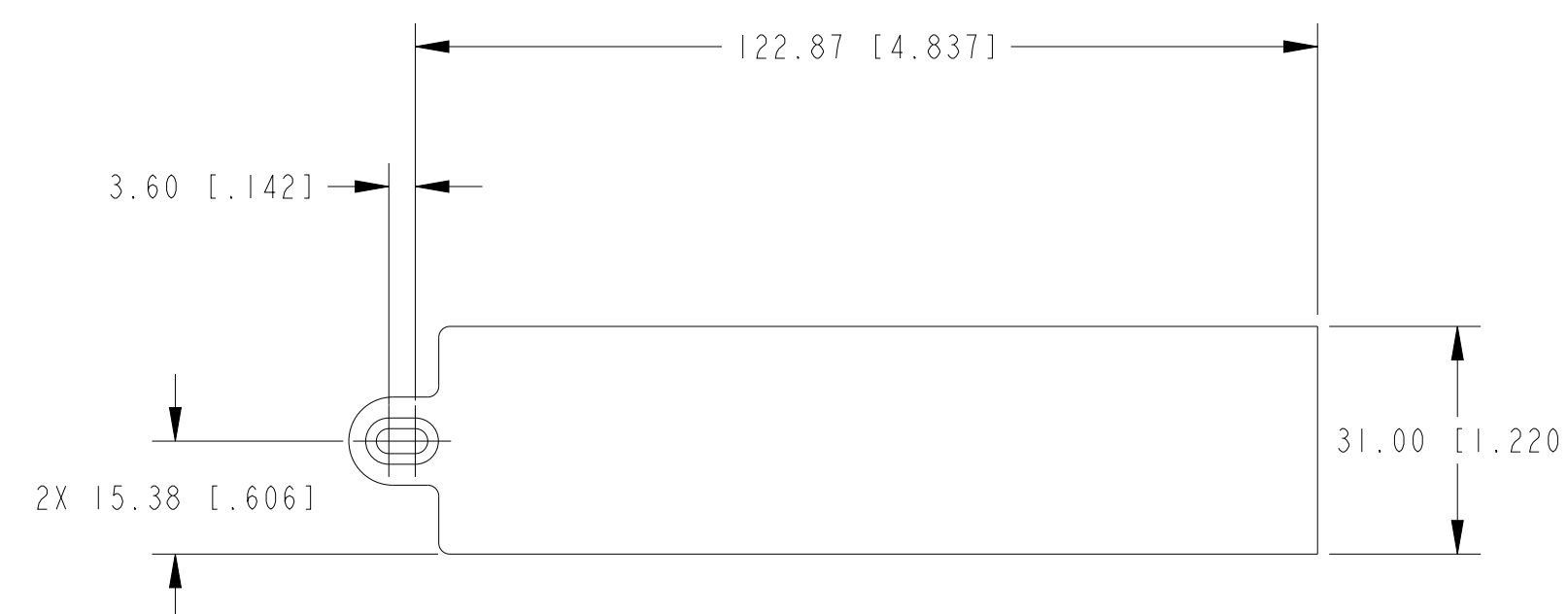
IMMOBILIZATION BRACKET
 ISOMETRIC VIEW



DETAIL A
 SCALE 2/1



4-SLOT BRACKET ISOMETRIC VIEW



2. DIMENSIONS IN () ARE FOR REFERENCE ONLY.
 1. REFER TO PRODUCT MANUAL ON NI.COM FOR MORE DETAILS
 NOTES: UNLESS OTHERWISE SPECIFIED.

METRIC

CUSTOMER DRAWING

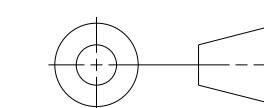
UNLESS OTHERWISE SPECIFIED
 DIMENSIONS ARE IN MILLIMETERS
 AND (INCHES)



NI.COM
 AUSTIN, TEXAS

DO NOT SCALE DRAWING
 THIRD ANGLE PROJECTION

TITLE
 MODULE IMMOBILIZATION ACCESSORY
 FOR 4-SLOT cRIO AND cDAQ
 CONTROLLERS



SIZE CODE IDENT NO | MM/DD/YYYY
 D | 7U296 | 09/30/2020

SCALE: 1/1

SHEET 1 OF 1

CU.CRIO.MIA-4SLOT