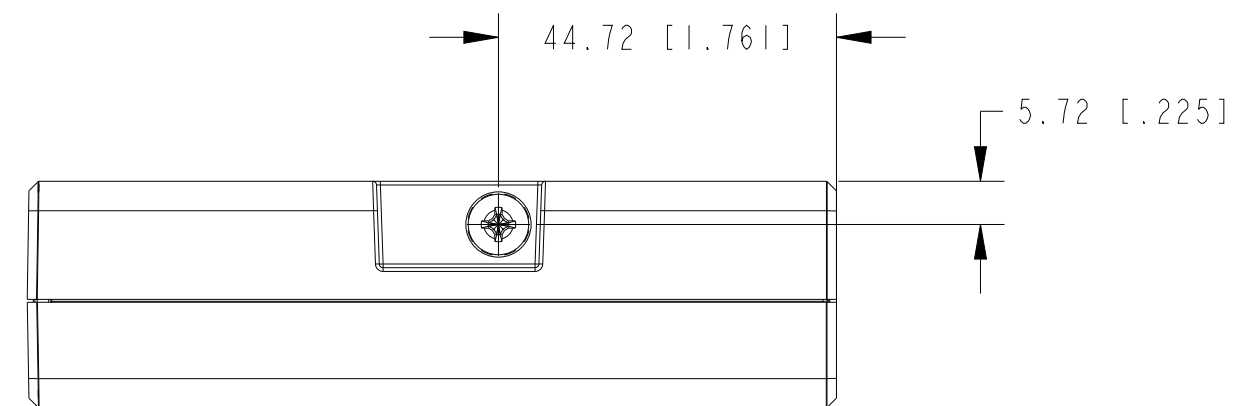
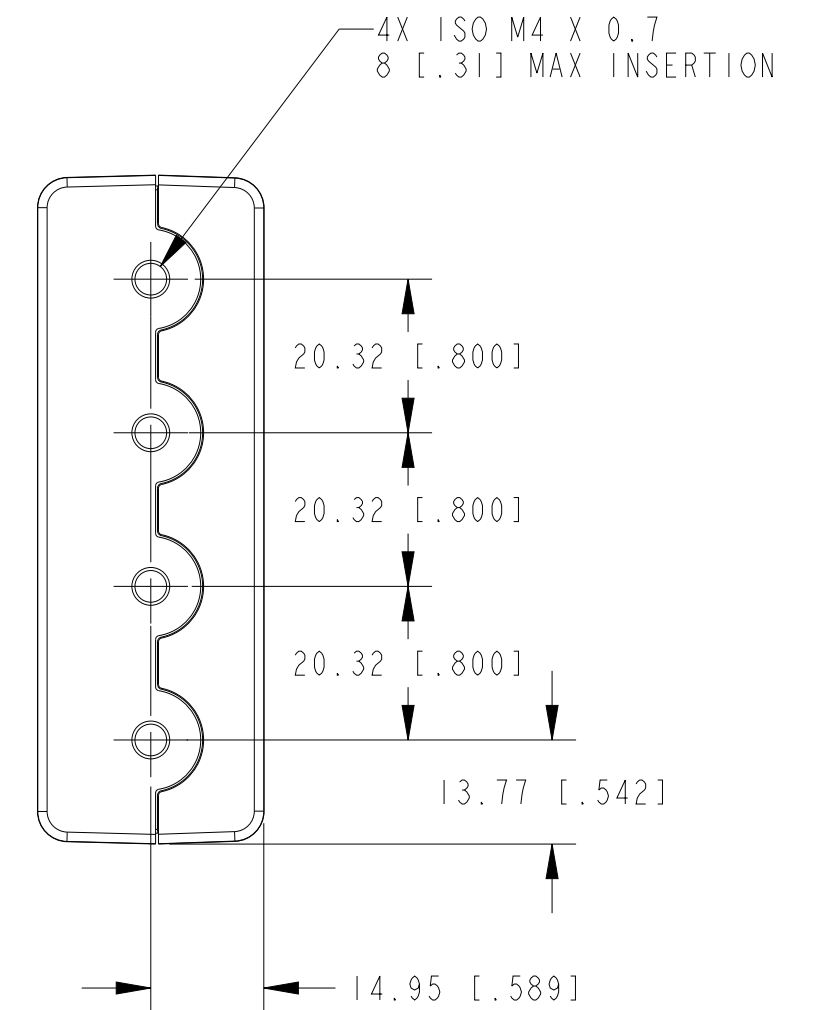
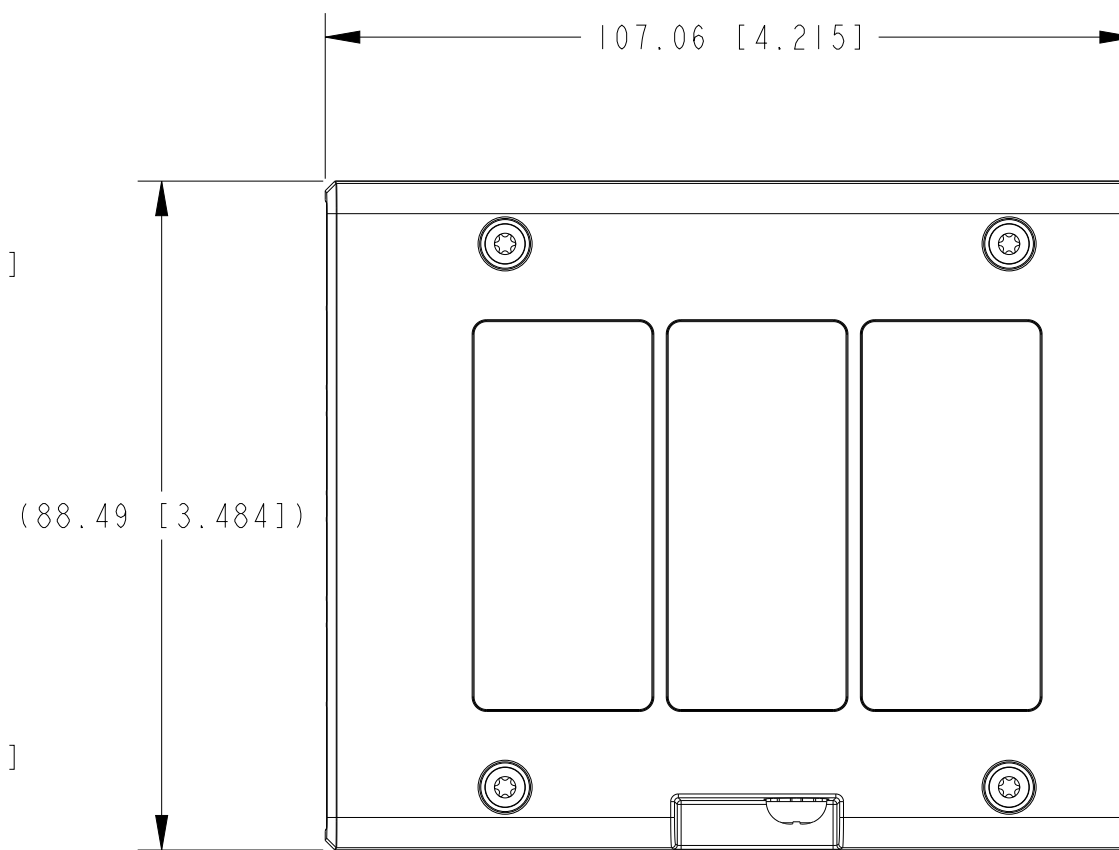
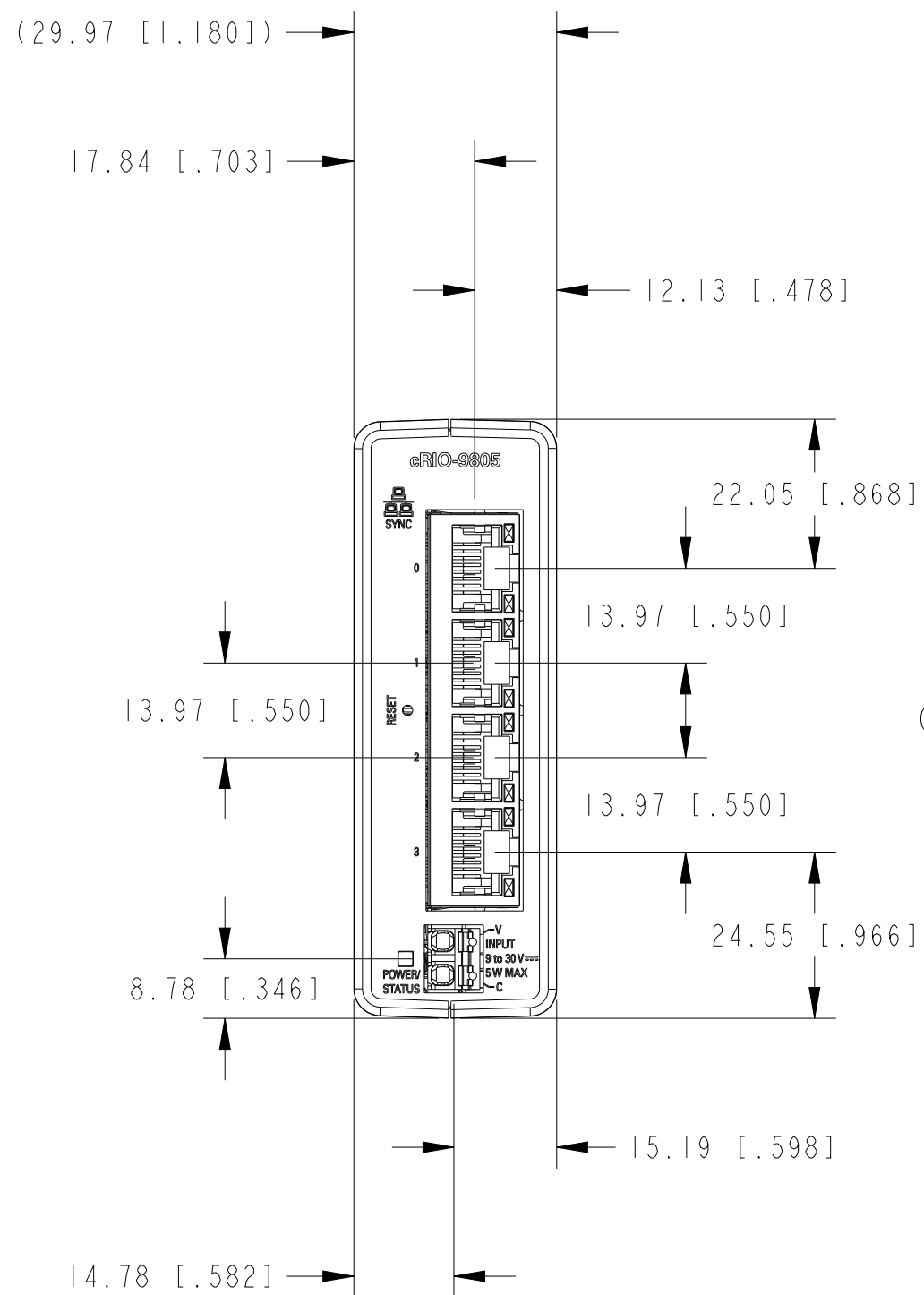


ISOMETRIC VIEW



METRIC

CUSTOMER DRAWING

UNLESS OTHERWISE SPECIFIED
DIMENSIONS ARE IN MILLIMETERS
AND [INCHES]



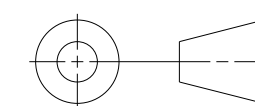
AUSTIN, TEXAS

DO NOT SCALE DRAWING

TITLE

cRIO-9805

THIRD ANGLE PROJECTION



SIZE CODE IDENT NO. MM/DD/YYYY

C7U296

02/12/2020

SCALE: 1/1

SHEET 1 OF 1

2. ALL DIMENSIONS SHOWN ARE SPECIFIED FROM THE LARGEST PART OF THE DRAFTED FEATURE.
FOR ADDITIONAL INFORMATION, PLEASE REFER TO 3D MODELS.

1. REFER TO PRODUCT MANUAL ON NI.COM FOR MORE DETAILS

NOTES: UNLESS OTHERWISE SPECIFIED.