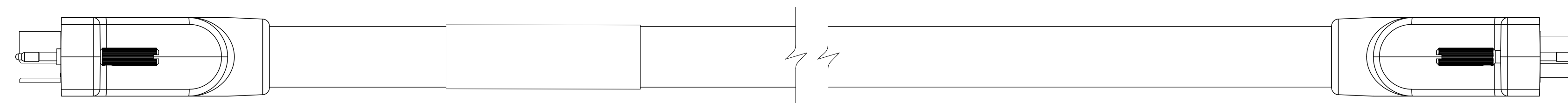
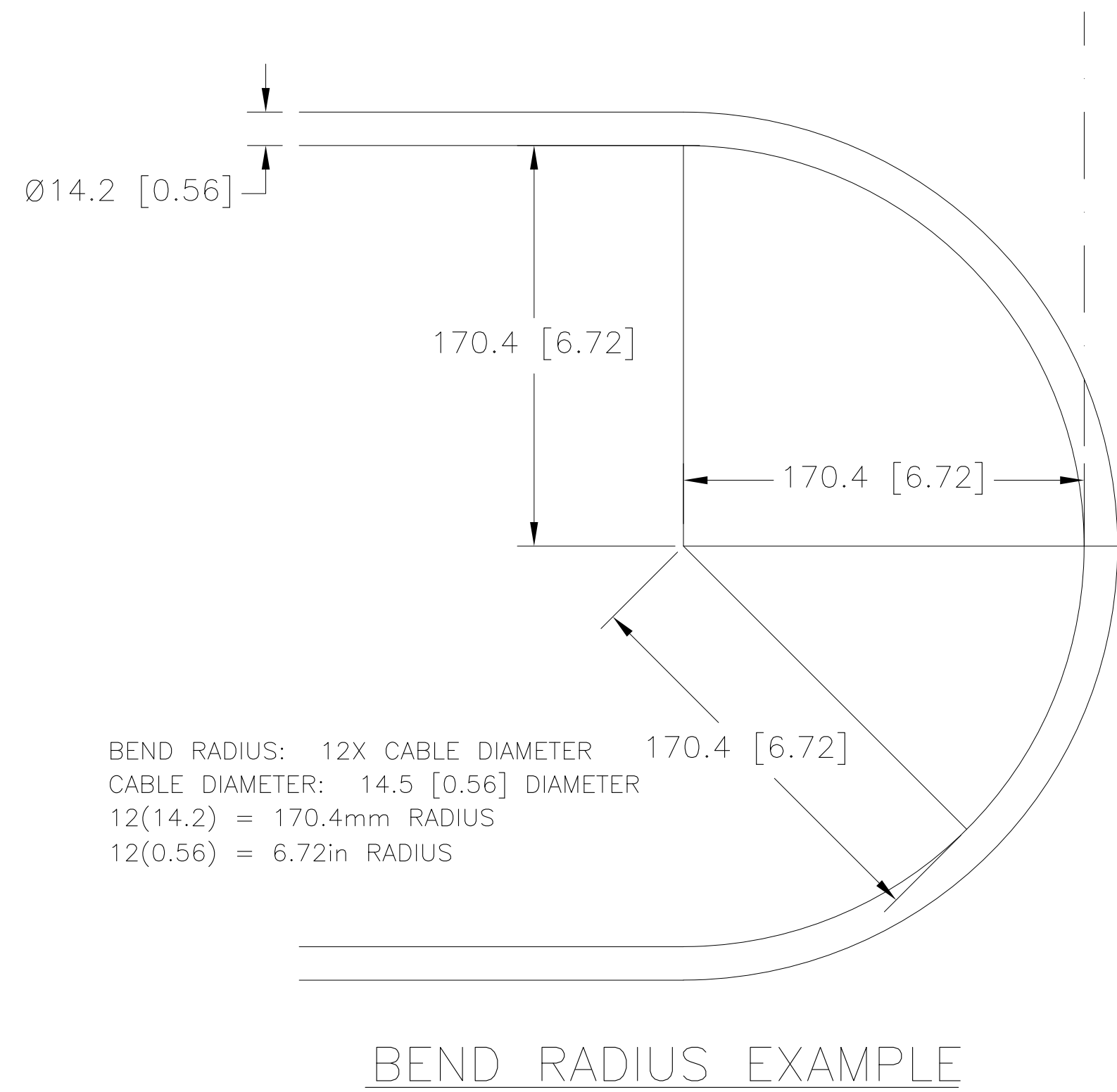
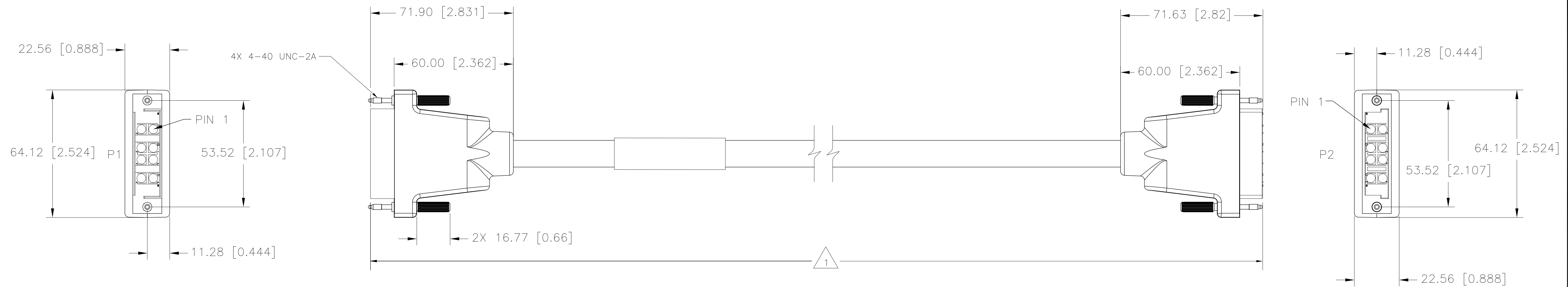


CUSTOMER DRAWING COMPATIBILITY			
REV	DESCRIPTION	DATE	APPROVED
A	DRAWING COMPATIBLE, RELEASED		



WIRE LIST		
P1	COLOR	P2
1	GREEN	1
2	BLUE	2
3	BLACK	3
4	WHITE	4
5	YELLOW	5
6	BROWN	6
7	ORANGE	7
8	RED	8

TABLE 1	
LENGTH	TOLERANCE
<2M	+5 CM/-0 CM
2 TO 5M	+10 CM/-0 CM
>5M	+15 CM/-0 CM

CONDUCTOR SPECIFICATIONS:

CONDUCTOR: 16AWG 7/34 TIN PLATED COPPER, 19/0.3±0.008 MM [.75/.012±.0003 IN] DIAMETER
 INSULATION: .091 INCHES OF SR-PVC, 2.3±0.08 MM [.091±.003 IN] DIAMETER

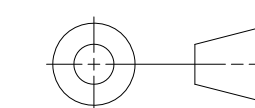
BEND RADIUS: 12X CABLE DIAMETER (SEE EXAMPLE) PER SPECIFICATIONS
 2014 NEC SECTION 300.34 CONDUCTOR BEND RADIUS
 2014 NEC SECTION 300.24 BENDING RADIUS

1. REFER TO PRODUCT MANUAL ON NI.COM FOR MORE DETAILS.

NOTES: UNLESS OTHERWISE SPECIFIED.

METRIC

UNLESS OTHERWISE SPECIFIED DIMENSIONS ARE IN MILLIMETERS AND [INCHES]
 DO NOT SCALE DRAWING
 THIRD ANGLE PROJECTION



CUSTOMER DRAWING

	NI.COM AUSTIN, TEXAS
	TITLE SP8M-SP8F
SIZE CODE IDENT NO. DRAWING NO. D 7U296 09/23/2020	SCALE: NONE SHEET 1 OF 1