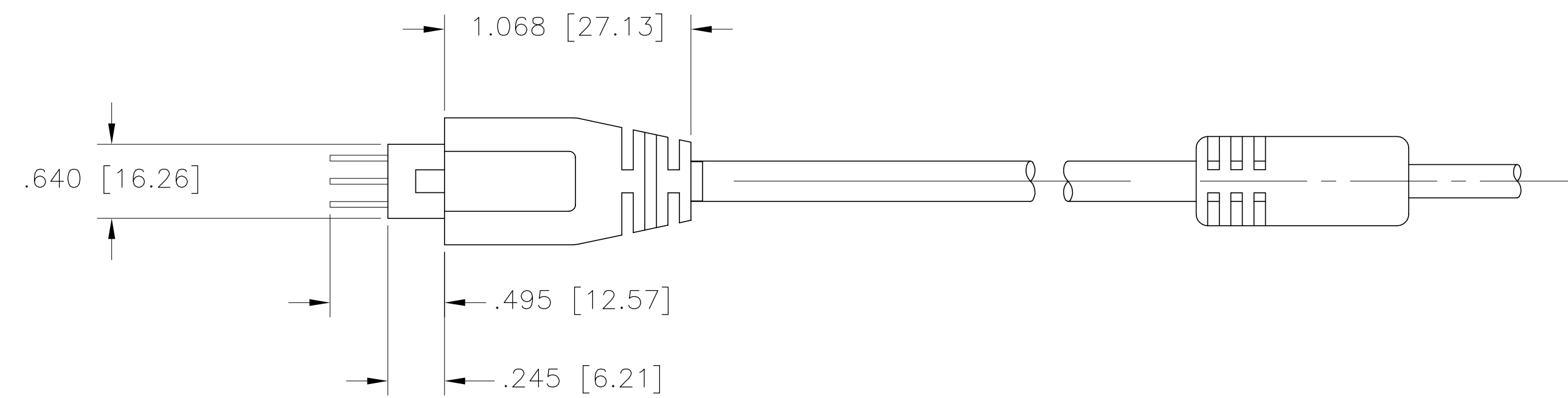
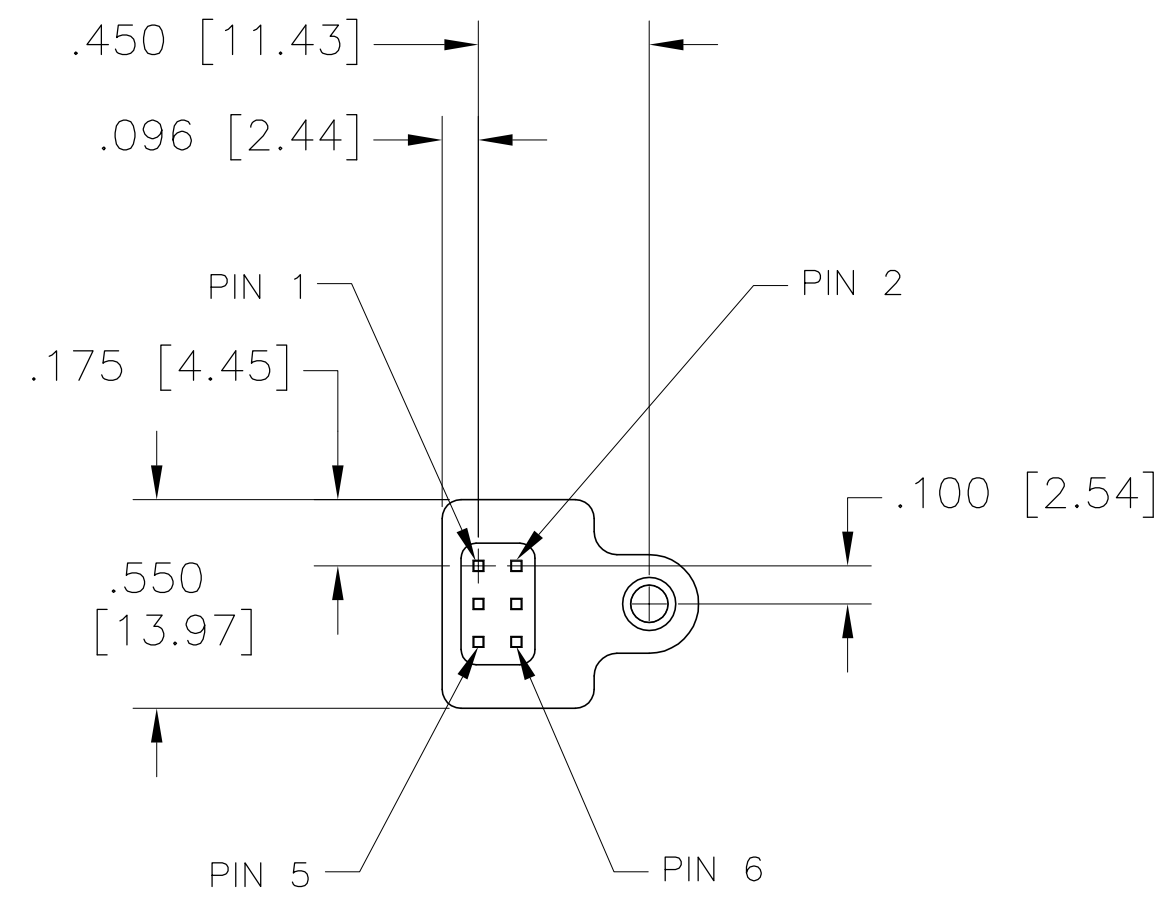
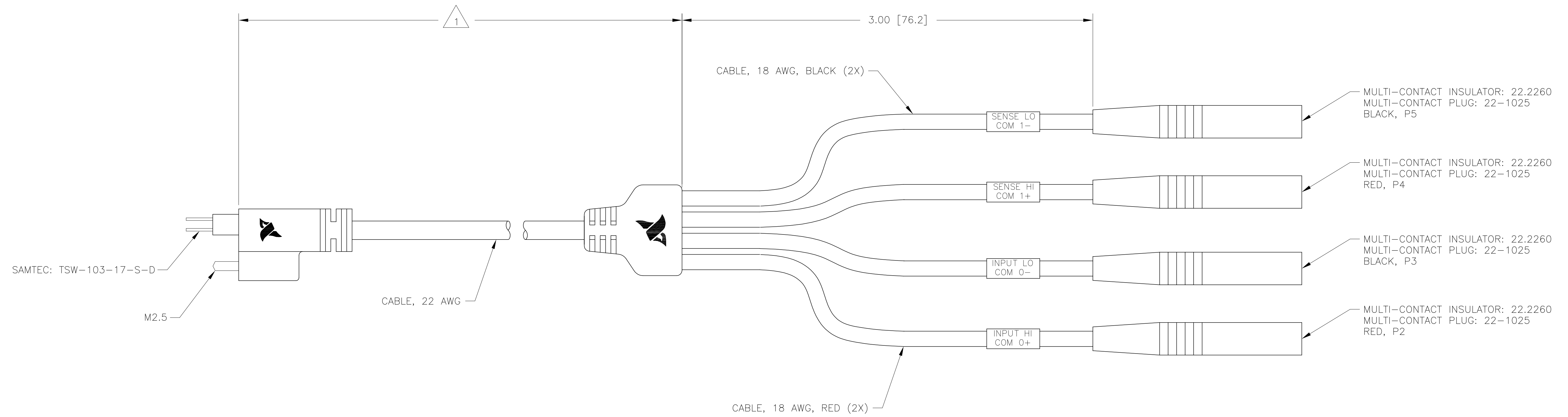


CUSTOMER DRAWING COMPATIBILITY			
REV	DESCRIPTION	DATE	APPROVED
A		-	-
B		-	-
C		-	-



WIRE LIST					
PIN	PAIR	TWISTED PAIR COLOR	SIGNAL	IND. BANANA COLOR	PLUG
1	1	BLACK	AB0-	BLACK	P3
3		RED	AB0+	RED	P2
2	2	GREEN	AB1-	BLACK	P5
4		WHITE	AB1+	RED	P4
STANDOFF (ITEM 6)		-	DRAIN	-	NO CONNECT

TABLE 1 \triangle_1	
LENGTH	TOLERANCE
<.5m	± 1 cm
.5m TO 2m	± 5 cm
2m TO 5m	± 10 cm
>5m	± 15 cm

1. REFER TO PRODUCT MANUAL ON NI.COM FOR MORE DETAILS.
 NOTES: UNLESS OTHERWISE SPECIFIED.

CUSTOMER DRAWING

UNLESS OTHERWISE SPECIFIED DIMENSIONS ARE IN INCHES AND [MILLIMETERS]	NATIONAL INSTRUMENTS® AUSTIN, TEXAS	
	TITLE TYPE HV6 TO BANANA (4X) 192795-0R2	
DO NOT SCALE DRAWING THIRD ANGLE PROJECTION	SIZE CODE IDENT NO. DRAWING NO. D 7U296 04/03/19	
SCALE: NTS	SHEET 1 OF 1	

