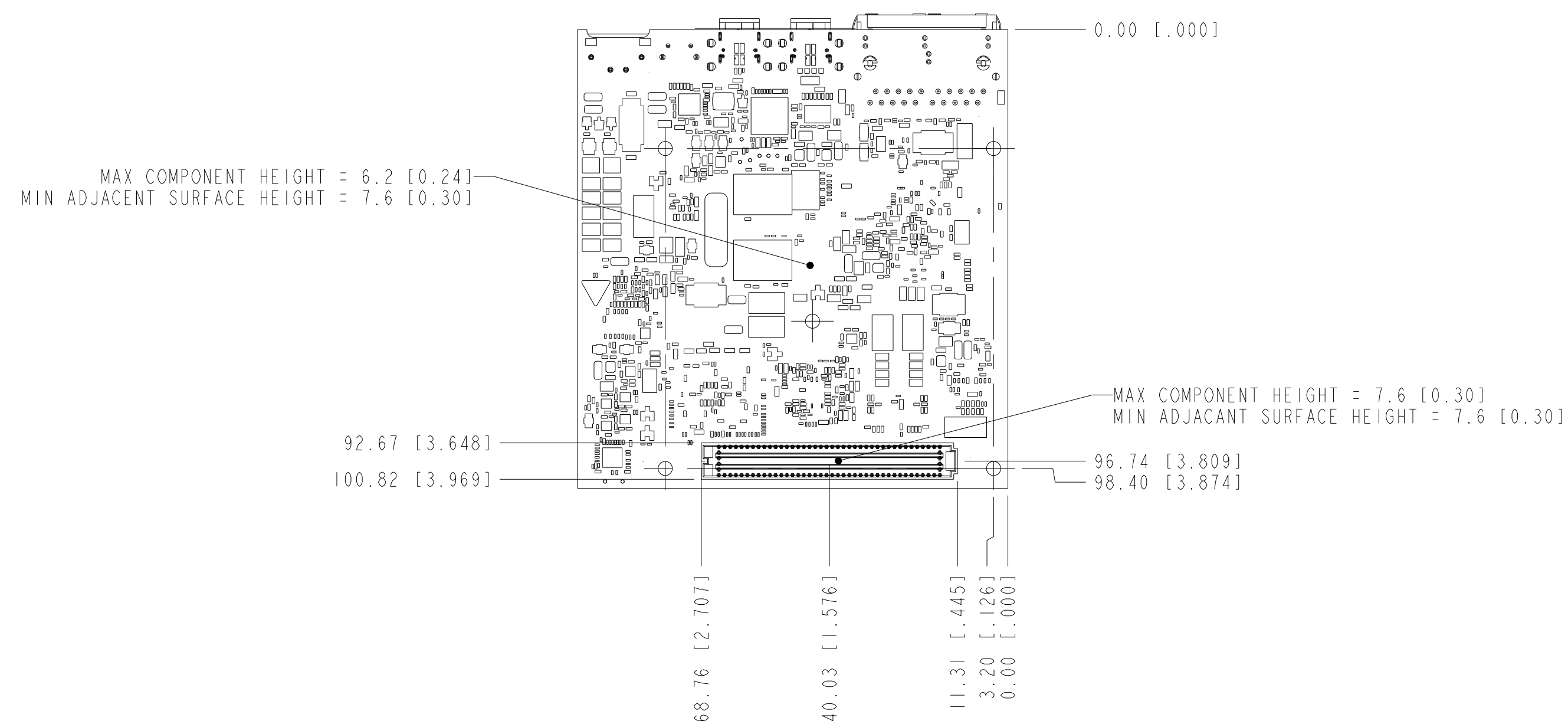
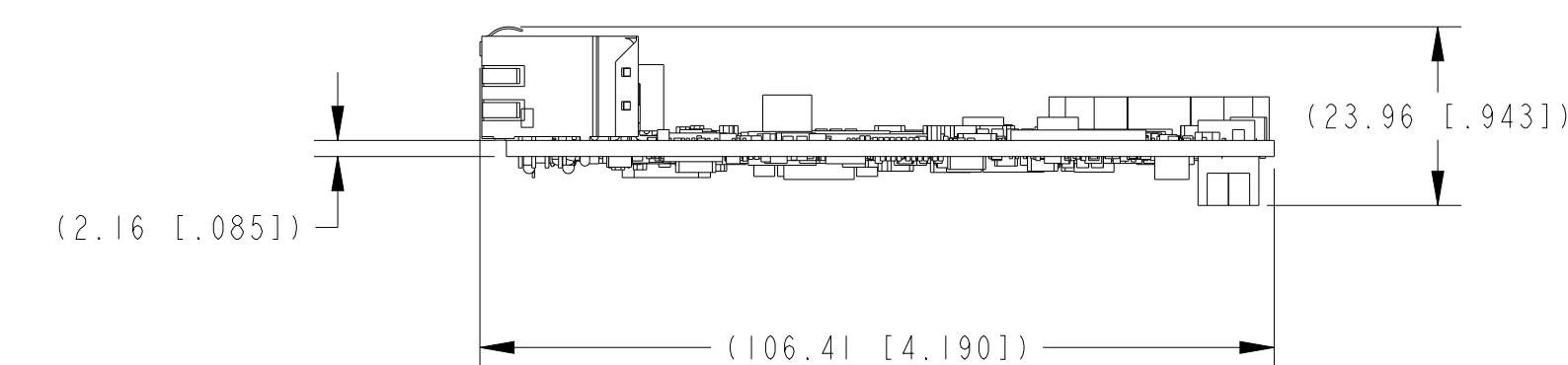
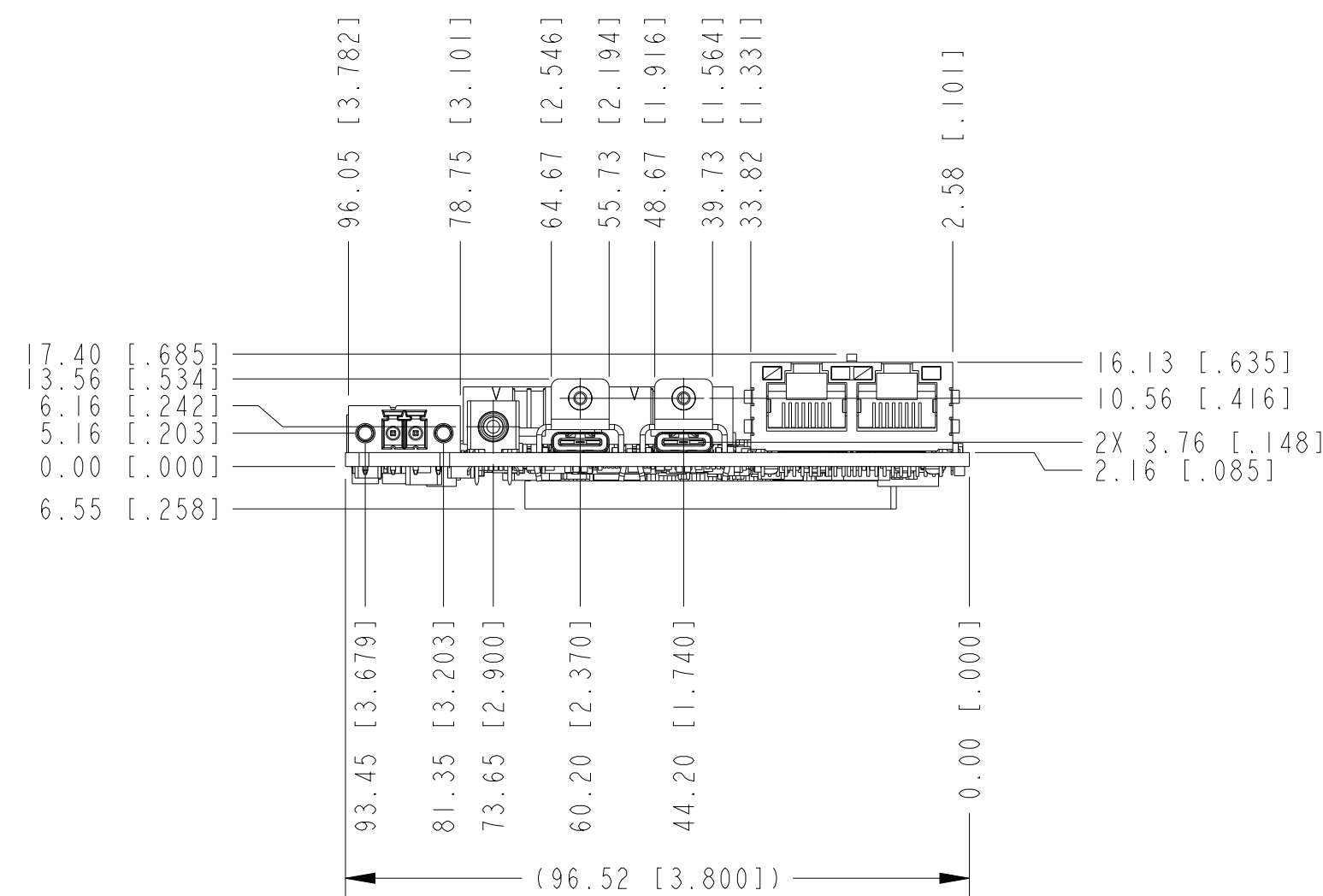
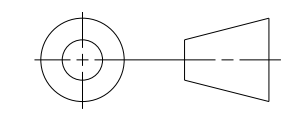


ISOMETRIC VIEW



2. DIMENSIONS IN ( ) ARE FOR REFERENCE ONLY.  
 1. REFER TO PRODUCT MANUAL ON NI.COM FOR MORE DETAILS  
 NOTES: UNLESS OTHERWISE SPECIFIED.

METRIC UNLESS OTHERWISE SPECIFIED DIMENSIONS ARE IN MILLIMETERS AND [INCHES] DO NOT SCALE DRAWING THIRD ANGLE PROJECTION 	CUSTOMER DRAWING NATIONAL INSTRUMENTS® AUSTIN, TEXAS TITLE sbR10-9608/9609	
	SIZE CODE IDENT NO./MM/DD/YYYY D 7U296 10/24/2019	SCALE: 1/1 SHEET 1 OF 1 CU_SBR10-9608_9609