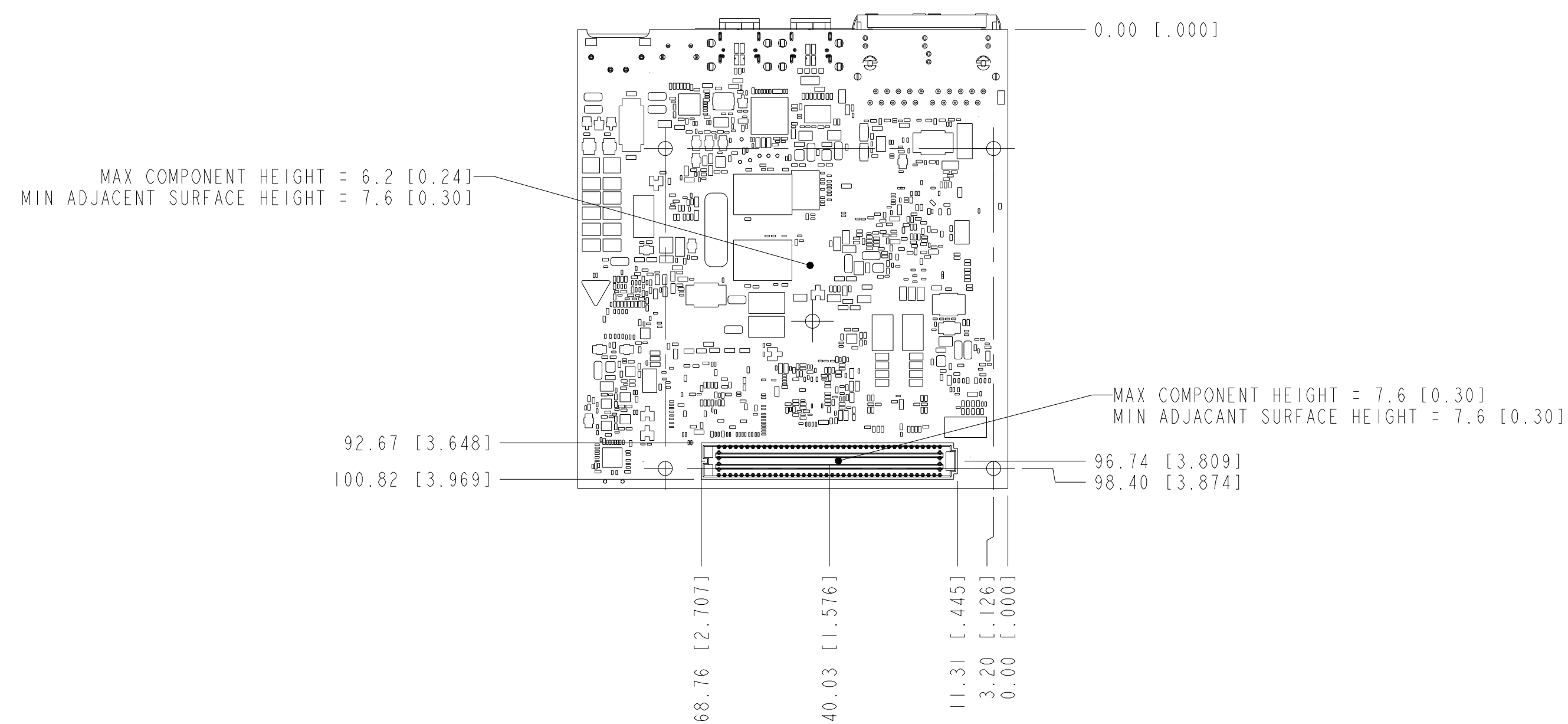
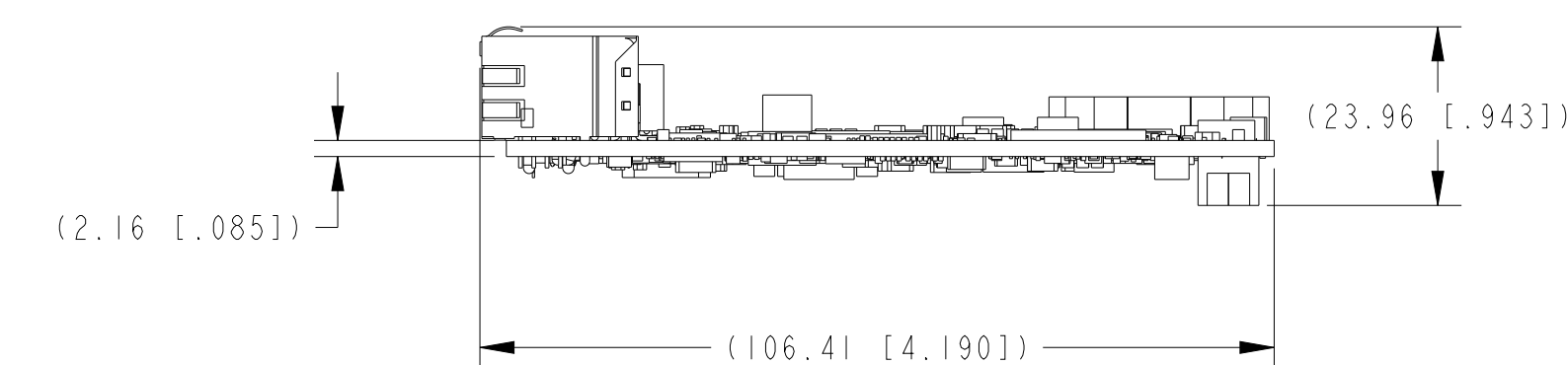
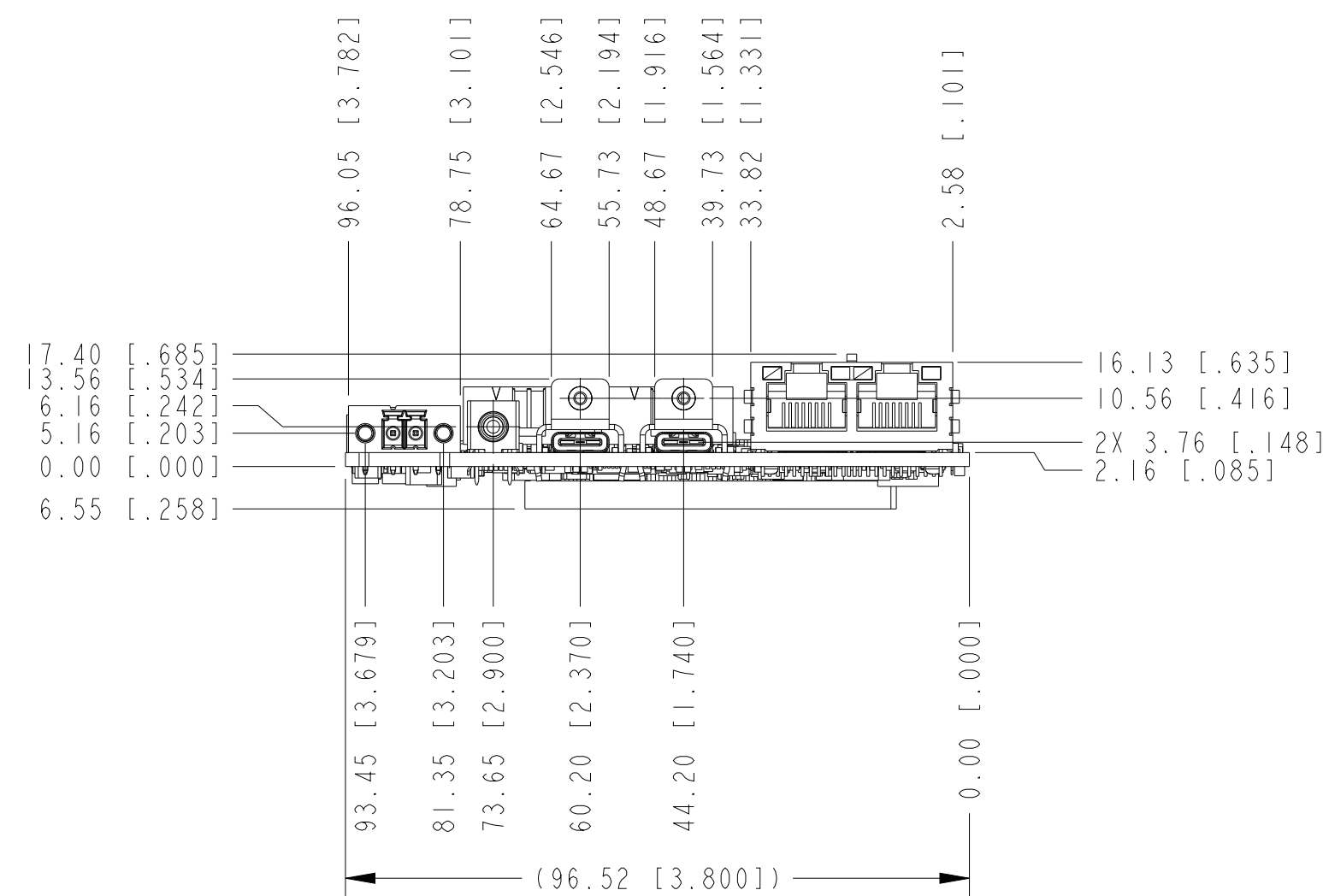


ISOMETRIC VIEW



2. DIMENSIONS IN () ARE FOR REFERENCE ONLY.
 1. REFER TO PRODUCT MANUAL ON NI.COM FOR MORE DETAILS
 NOTES: UNLESS OTHERWISE SPECIFIED.

| | | |
|---|--|--|
| METRIC UNLESS OTHERWISE SPECIFIED DIMENSIONS ARE IN MILLIMETERS AND INCHES DO NOT SCALE DRAWING THIRD ANGLE PROJECTION | CUSTOMER DRAWING NATIONAL INSTRUMENTS® AUSTIN, TEXAS TITLE sbRIO-9603 | |
| | SIZE CODE IDENT NO. MM/DD/YYYY D 7U296 10/24/2019 | SCALE: 1/1 SHEET 1 OF 1 CU.SBRIO-9603 |