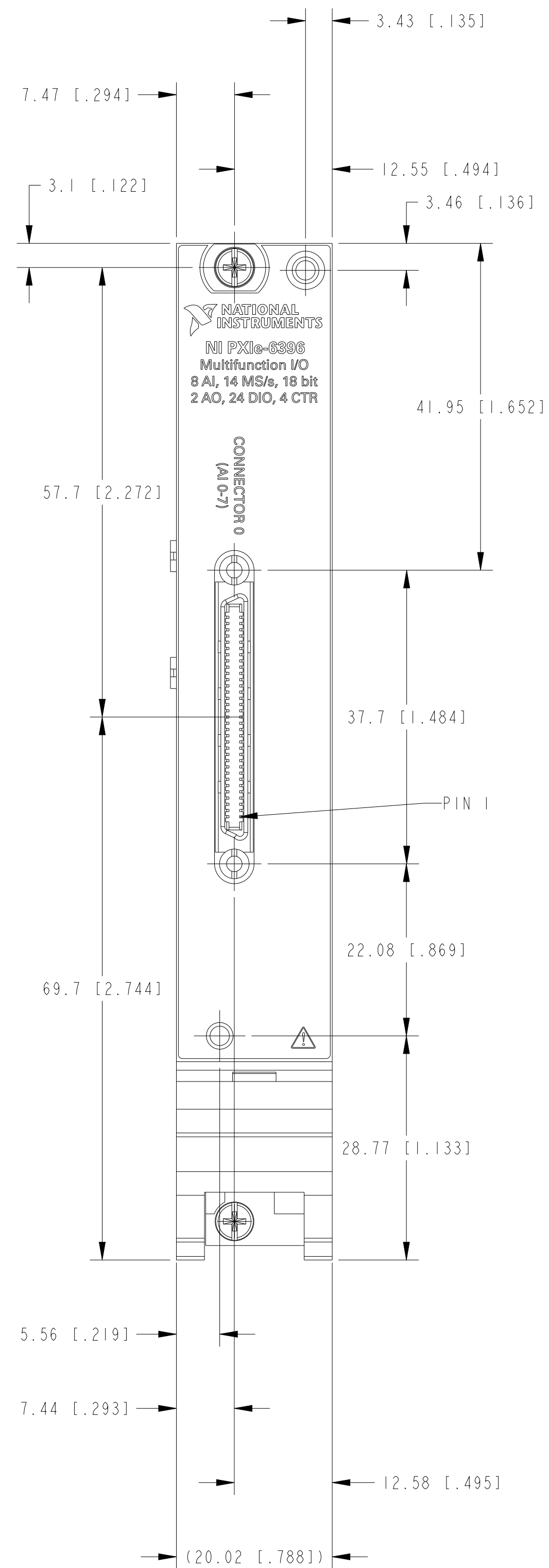
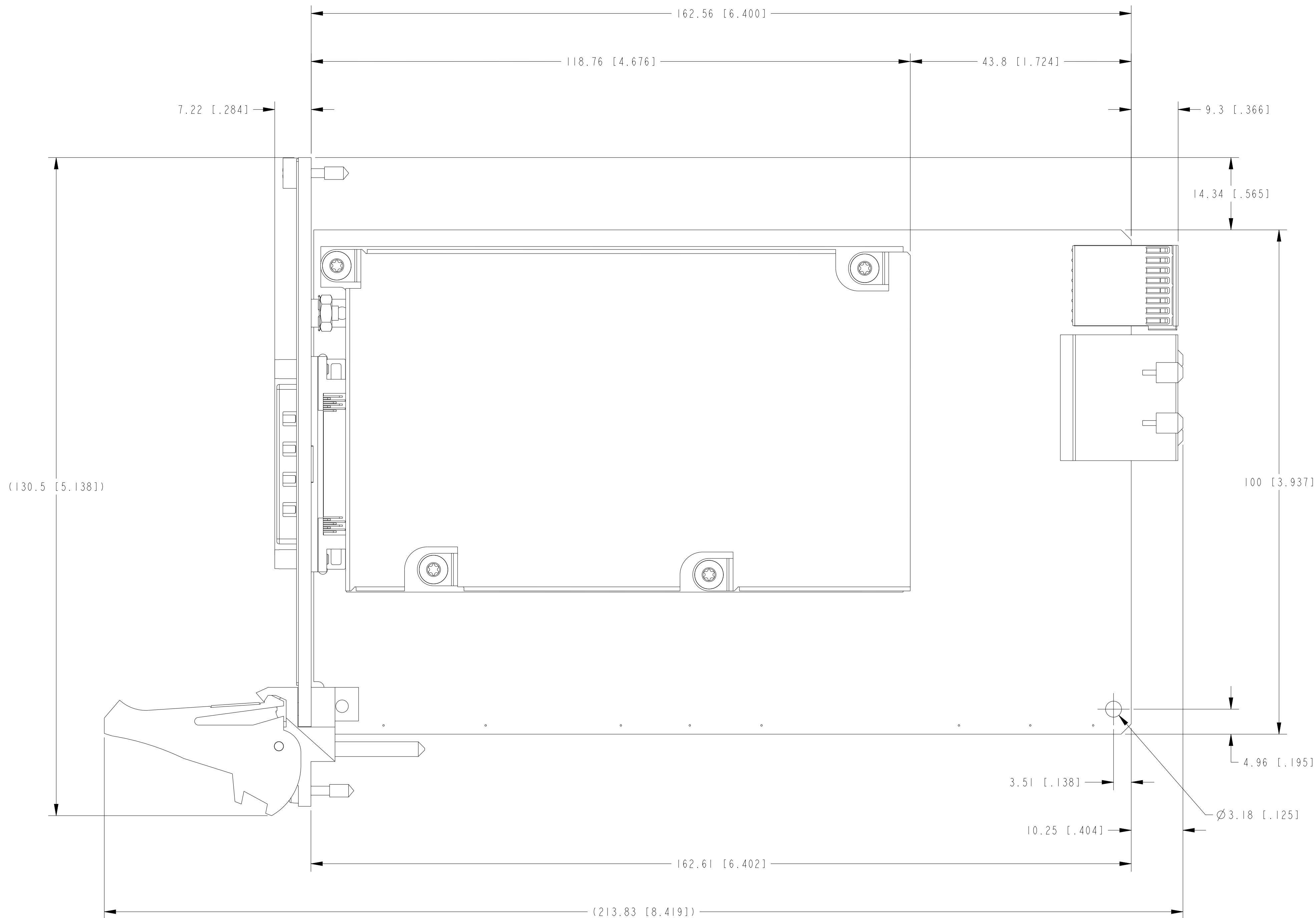


-01L VERSION SHOWN



-02L VERSION SHOWN



2. DIMENSIONS IN () ARE FOR REFERENCE ONLY.
 1. REFER TO PRODUCT MANUAL ON NI.COM FOR MORE DETAILS
 NOTES: UNLESS OTHERWISE SPECIFIED.

METRIC

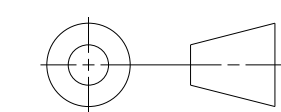
CUSTOMER DRAWING

UNLESS OTHERWISE SPECIFIED
 DIMENSIONS ARE IN MILLIMETERS
 AND INCHES

NATIONAL INSTRUMENTS® AUSTIN, TEXAS
 TITLE

DO NOT SCALE DRAWING
 THIRD ANGLE PROJECTION

PXIe-63X6



SIZE CODE IDENT NO. MM/DD/YYYY
 D 7U296 01/18/2019

SCALE: 2/1

SHEET 1 OF 1

CU.PXIe-63X6