

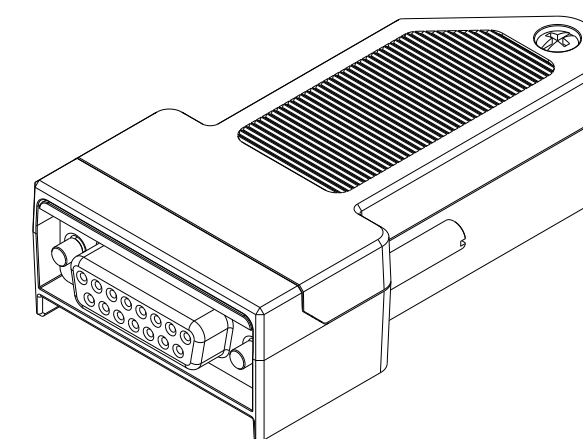
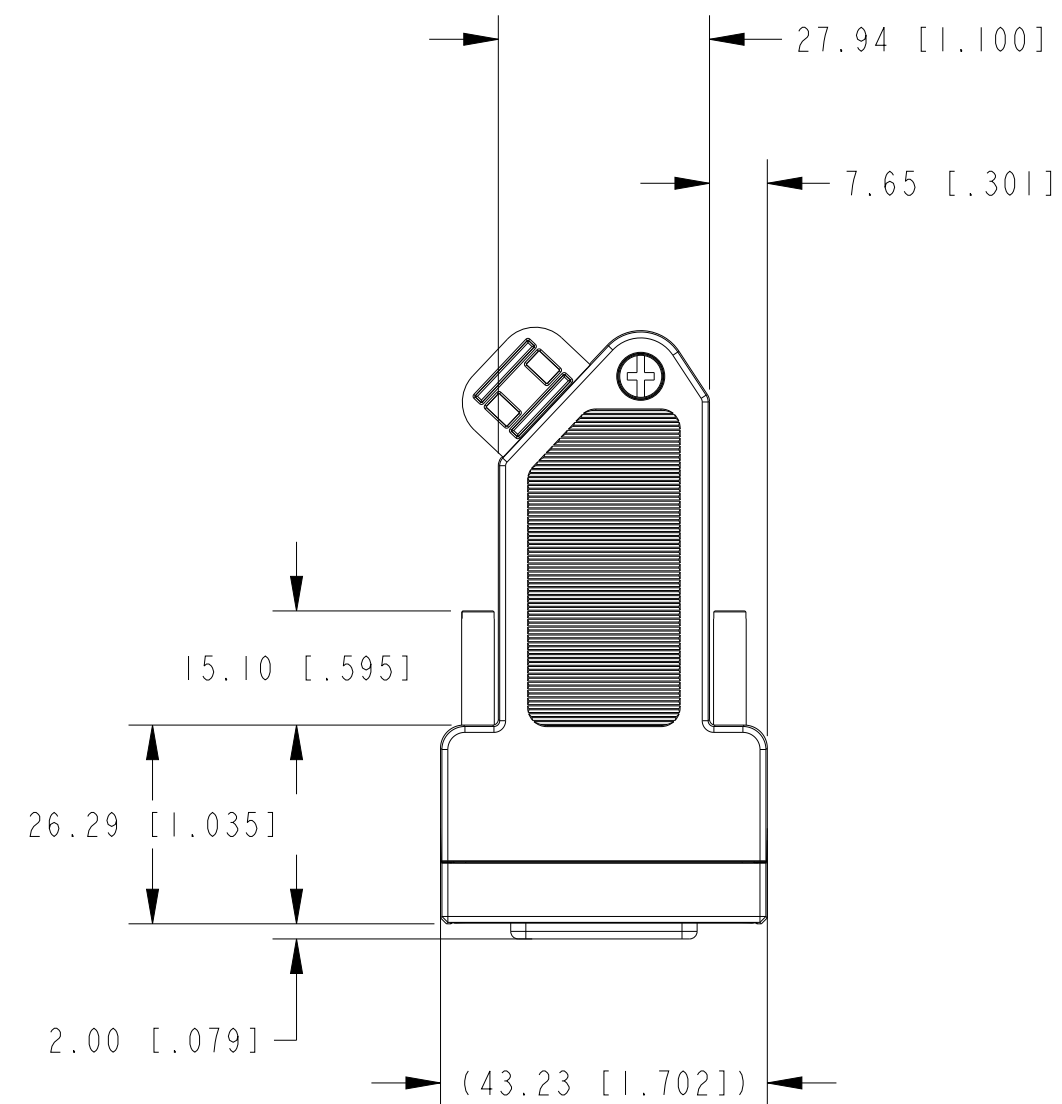
4

3

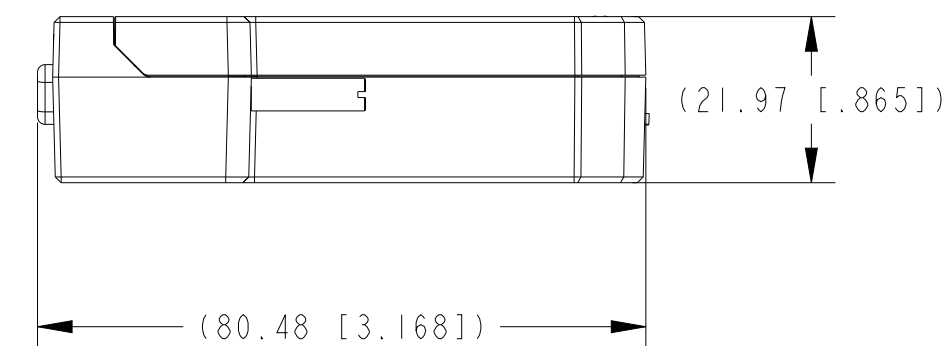
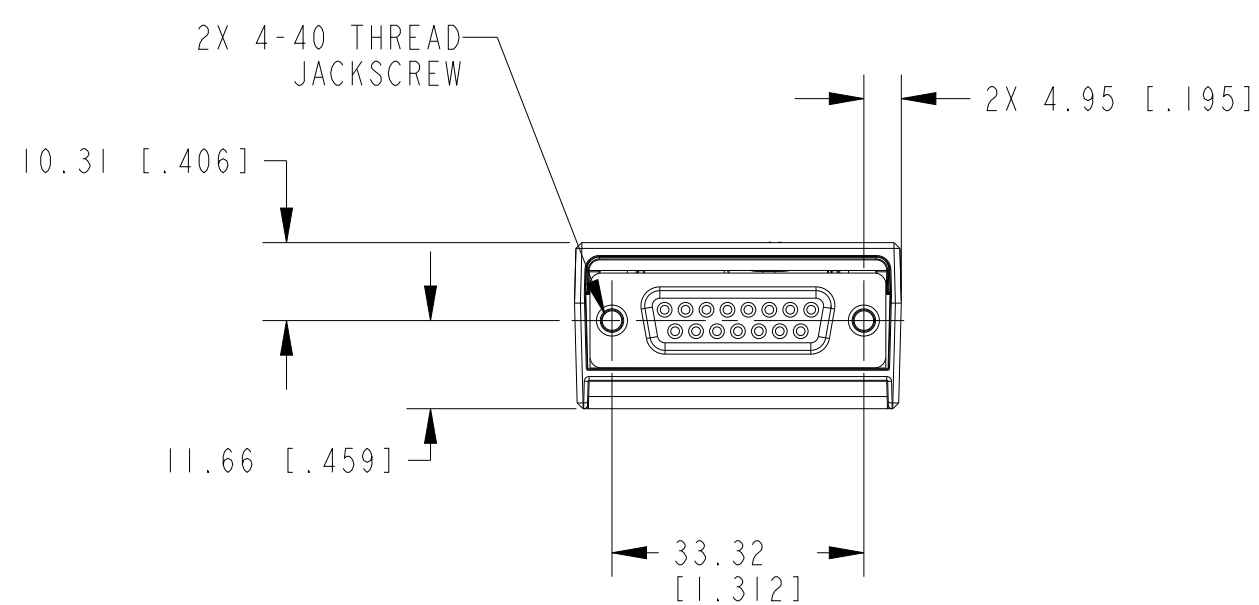
2

1

COPYRIGHT ©2018 NATIONAL INSTRUMENTS CORPORATION AND ITS LICENSORS. ALL RIGHTS RESERVED.



ISOMETRIC VIEW



METRIC

CUSTOMER DRAWING

UNLESS OTHERWISE SPECIFIED DIMENSIONS ARE IN MILLIMETERS AND [INCHES]



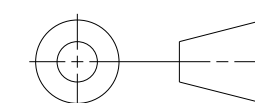
AUSTIN, TEXAS

DO NOT SCALE DRAWING

TITLE

TB-9935

THIRD ANGLE PROJECTION



SIZE CODE IDENT NO. MM/DD/YYYY

C 7U296

11/26/2018

SCALE: 1/1

SHEET 1 OF 1

2. DIMENSIONS IN () ARE FOR REFERENCE ONLY.

1. REFER TO PRODUCT MANUAL ON NI.COM FOR MORE DETAILS

NOTES: UNLESS OTHERWISE SPECIFIED.

4

3

2

1