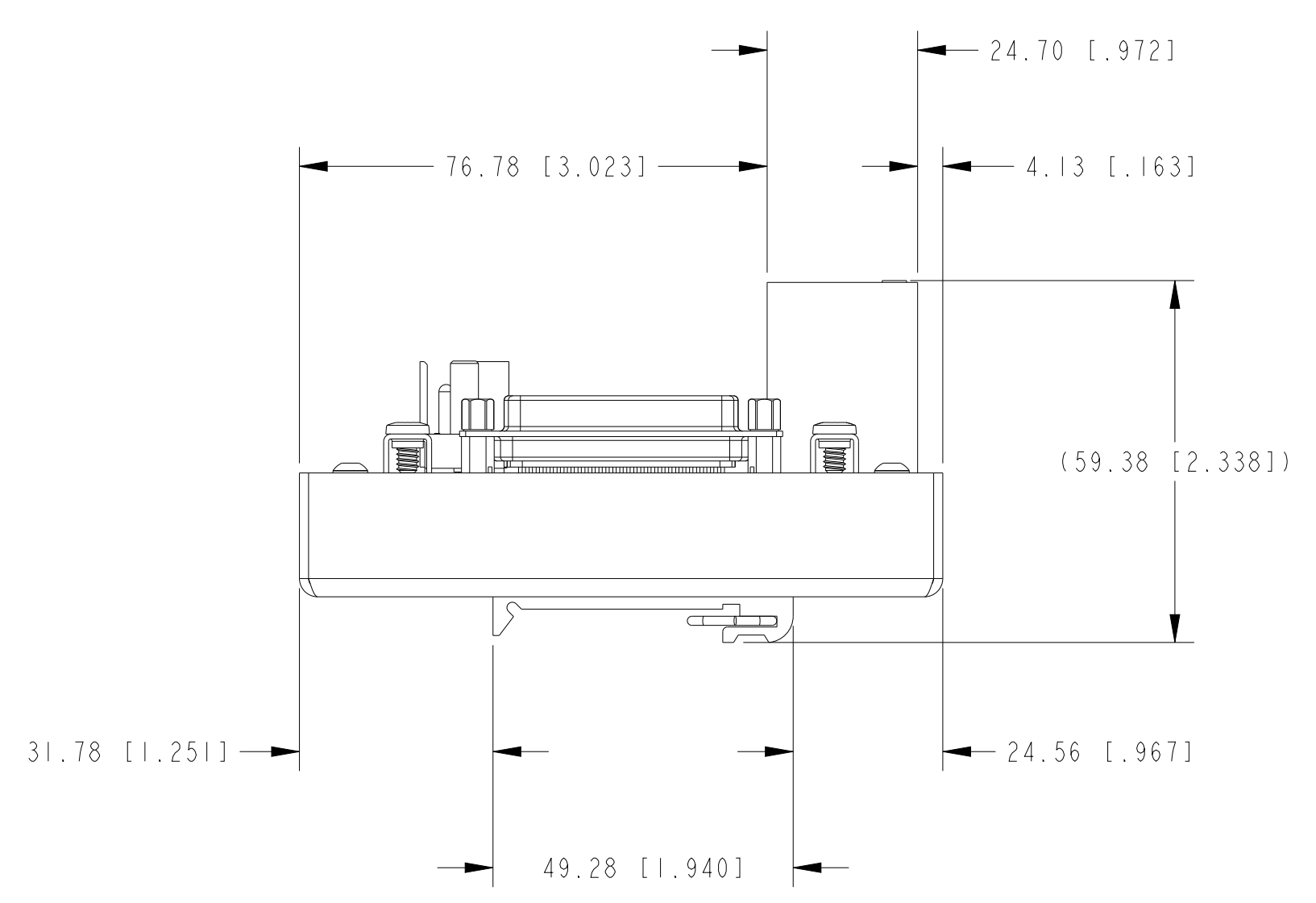
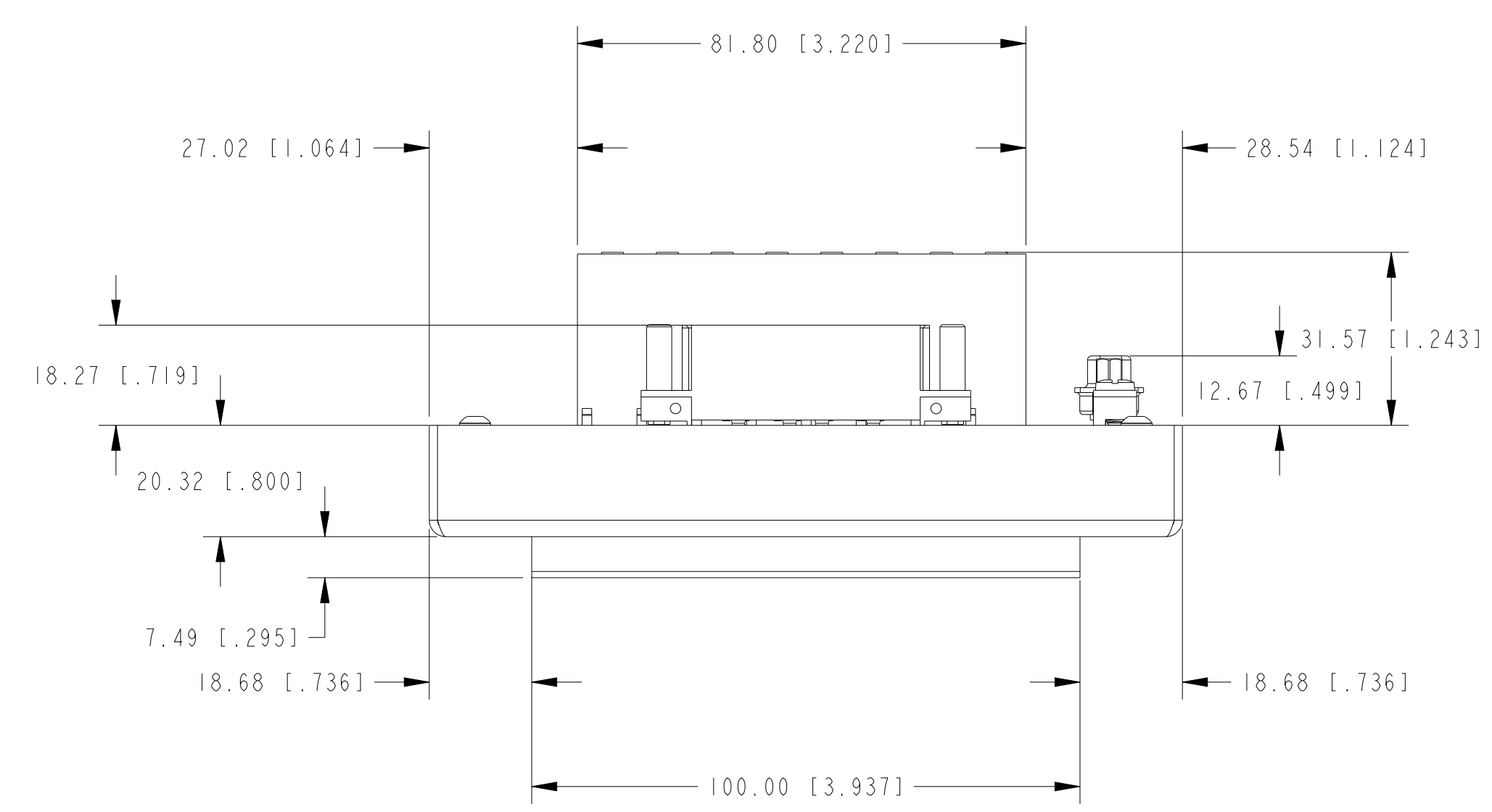


ISOMETRIC VIEW



2. DIMENSIONS IN () ARE FOR REFERENCE ONLY.
 1. REFER TO PRODUCT MANUAL ON NI.COM FOR MORE DETAILS
 NOTES: UNLESS OTHERWISE SPECIFIED.

METRIC

CUSTOMER DRAWING

UNLESS OTHERWISE SPECIFIED
 DIMENSIONS ARE IN MILLIMETERS
 AND [INCHES]
 DO NOT SCALE DRAWING
 THIRD ANGLE PROJECTION

	AUSTIN, TEXAS	
	TITLE	
TB-12398/12399		
SIZE	CODE	IDENT NO. MM/DD/YYYY
D	7U296	08/14/2018
SCALE:	1/1	SHEET 1 OF 1

