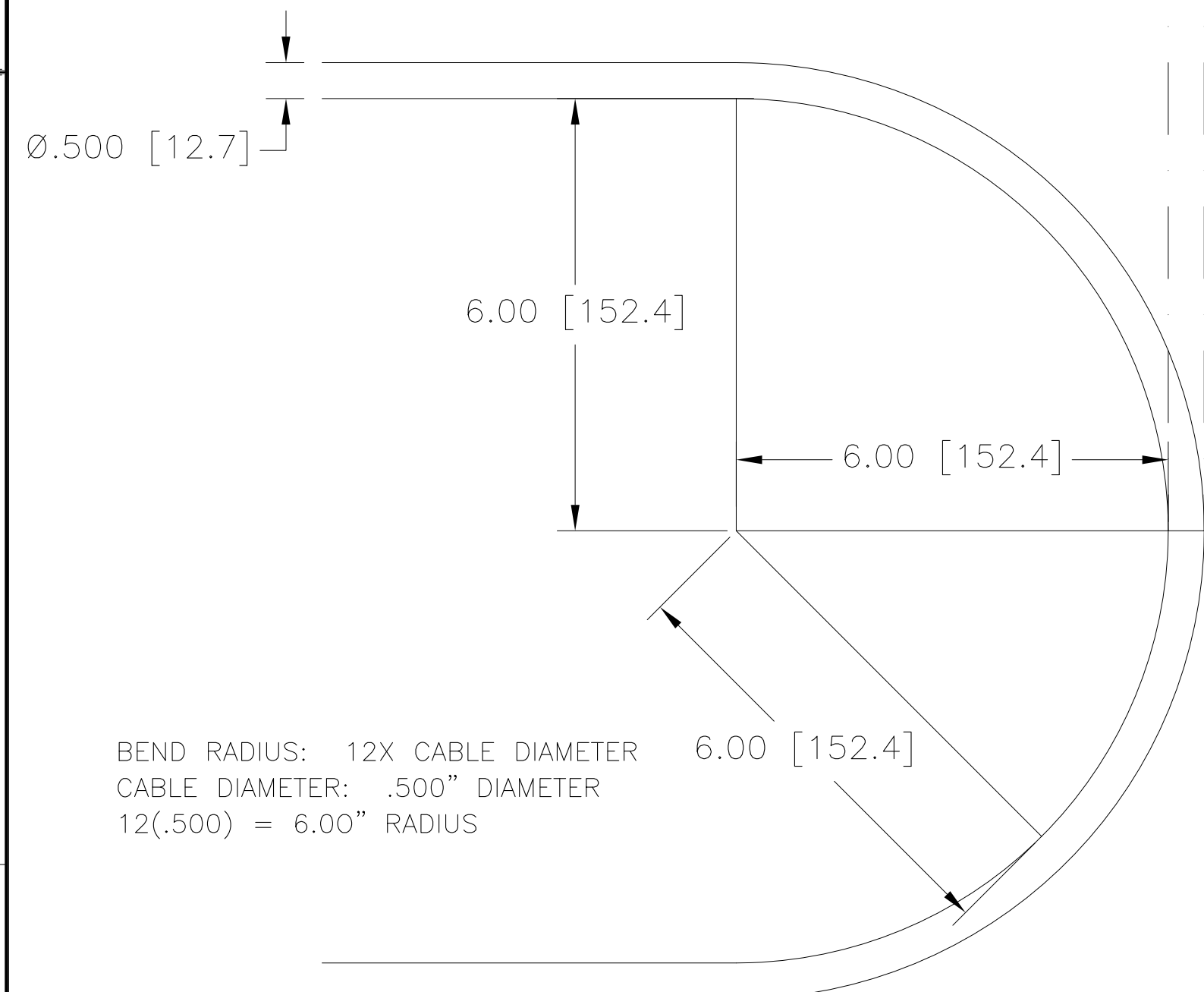
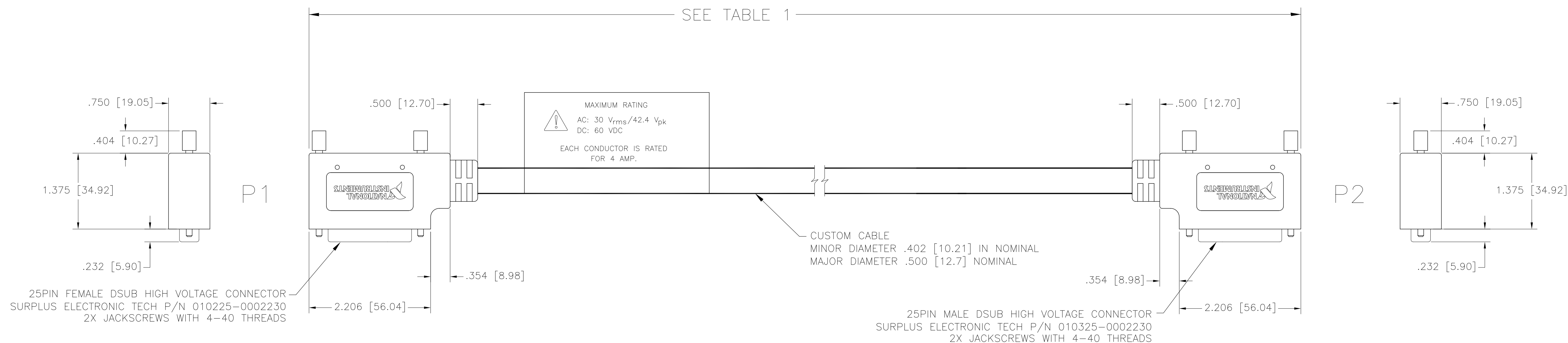


CUSTOMER DRAWING COMPATIBILITY			
REV	DESCRIPTION	DATE	APPROVED
A	DRAWING COMPATIBLE, RELEASED		



BEND RADIUS EXAMPLE

CONDUCTOR SPECIFICATIONS:

CONDUCTOR: 20AWG 21/0.18±0.008 TIN PLATED COPPER, 0.18 MM DIAMETER
 INSULATION: 0.23 MM OF SR-PVC, .150±0.05 MM DIAMETER

BEND RADIUS: 12X CABLE DIAMETER (SEE EXAMPLE) PER SPECIFICATIONS
 2014 NEC SECTION 300.34 CONDUCTOR BEND RADIUS
 2014 NEC SECTION 300.24 BENDING RADIUS

1. REFER TO PRODUCT MANUAL ON NI.COM FOR MORE DETAILS.

NOTES: UNLESS OTHERWISE SPECIFIED.

WIRE LIST			
P1	TWISTED PAIR	COLOR	P2
1	1	BLACK	1
14		BROWN/WHITE	14
2	2	BROWN	2
15		RED/WHITE	15
3	3	RED	3
16		ORANGE/WHITE	16
4	4	ORANGE	4
17		GREEN/WHITE	17
5	5	YELLOW	5
18		BLUE/WHITE	18
6	6	GREEN	6
19		PURPLE/WHITE	19
7	7	BLUE	7
20		RED/BLACK	20
8	8	PURPLE	8
21		ORANGE/BLACK	21
9	9	GRAY	9
22		YELLOW/BLACK	22
10	10	WHITE	10
23		GREEN/BLACK	23
11	11	PINK	11
24		GRAY/BLACK	24
12	12	LIGHT GREEN	12
25		PINK/BLACK	25
13	13	BLACK/WHITE	13

TABLE 1	
LENGTH	TOLERANCE
<2M	+5 CM/-0 CM
2 TO 5M	+10 CM/-0 CM
>5M	+15 CM/-0 CM

CUSTOMER DRAWING

UNLESS OTHERWISE SPECIFIED DIMENSIONS ARE IN INCHES AND [MILLIMETERS]	NATIONAL INSTRUMENTS® AUSTIN, TEXAS
TITLE SHDB25F-DB25M LP	SIZE CODE IDENT NO. DRAWING NO. D 7U296 03/20/18
SCALE: 1/1	SHEET 1 OF 1