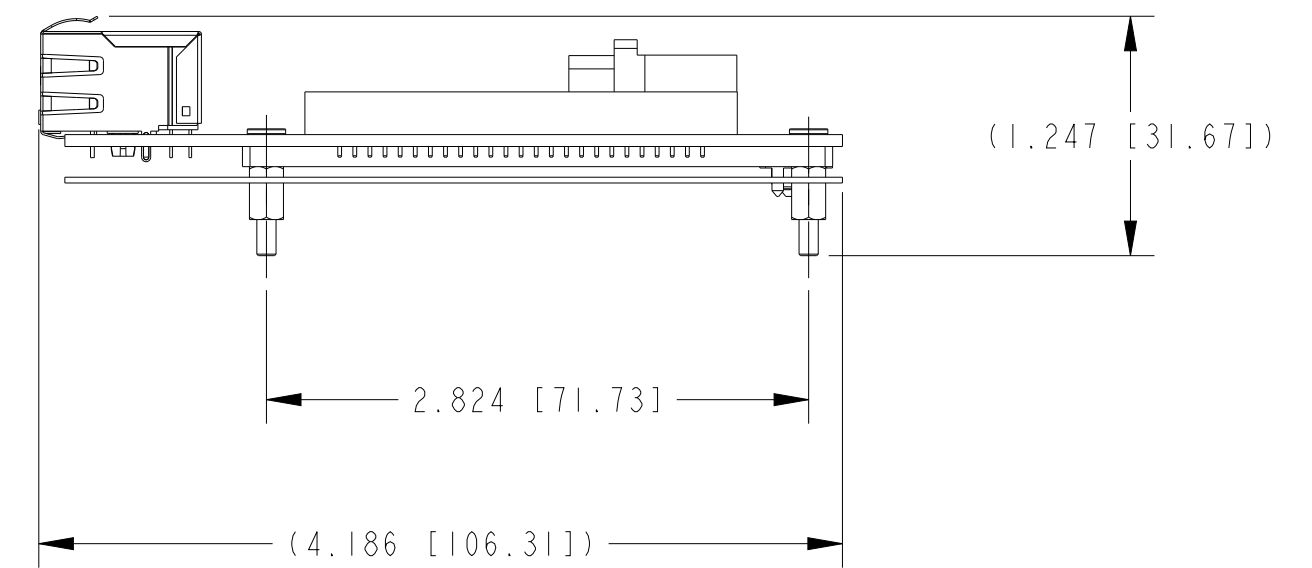
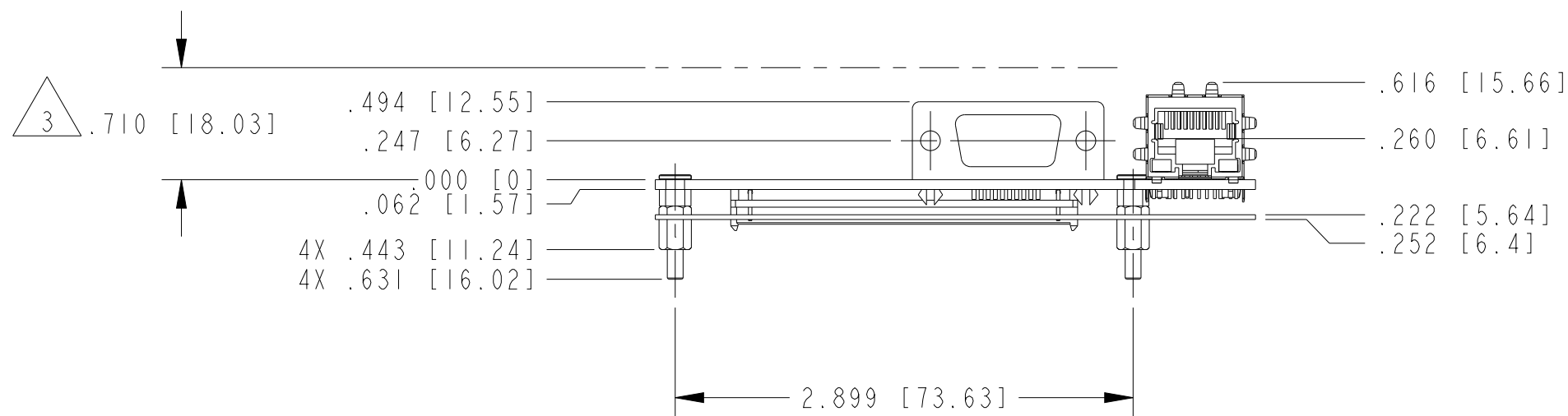


ISOMETRIC VIEW



CUSTOMER DRAWING

3 RECOMMENDED KEEPAWAY DISTANCE FROM MODULES.

2. DIMENSIONS IN () ARE FOR REFERENCE ONLY.

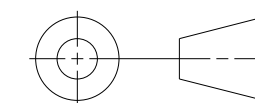
1. REFER TO PRODUCT MANUAL ON NI.COM FOR MORE DETAILS

NOTES: UNLESS OTHERWISE SPECIFIED.

UNLESS OTHERWISE SPECIFIED
 DIMENSIONS ARE IN INCHES AND
 [MILLIMETERS].

DO NOT SCALE DRAWING

THIRD ANGLE PROJECTION



AUSTIN, TEXAS

TITLE

sbR10-9698

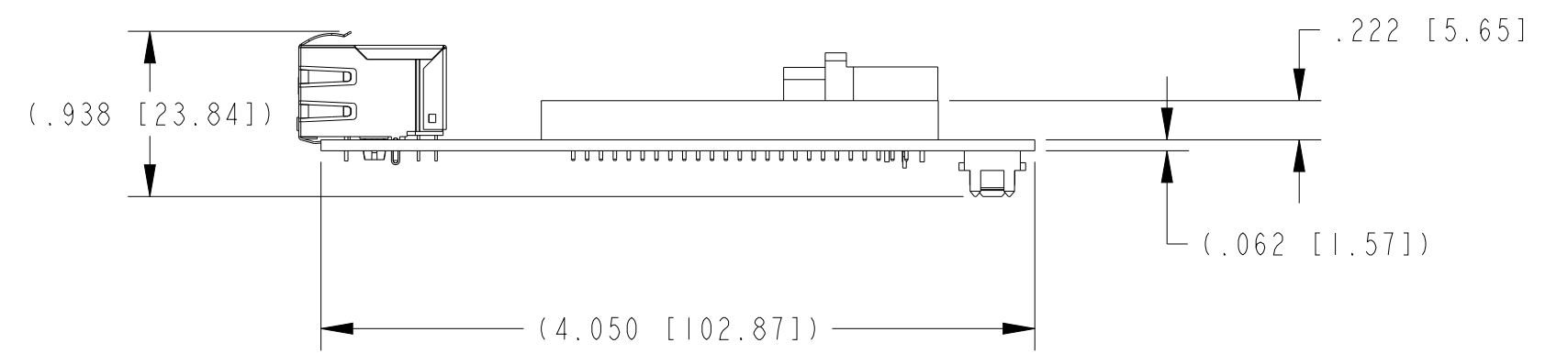
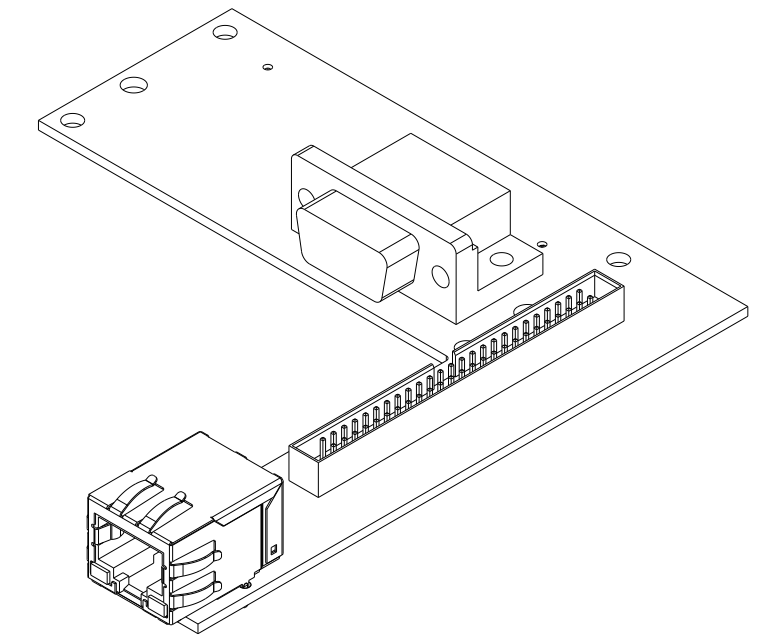
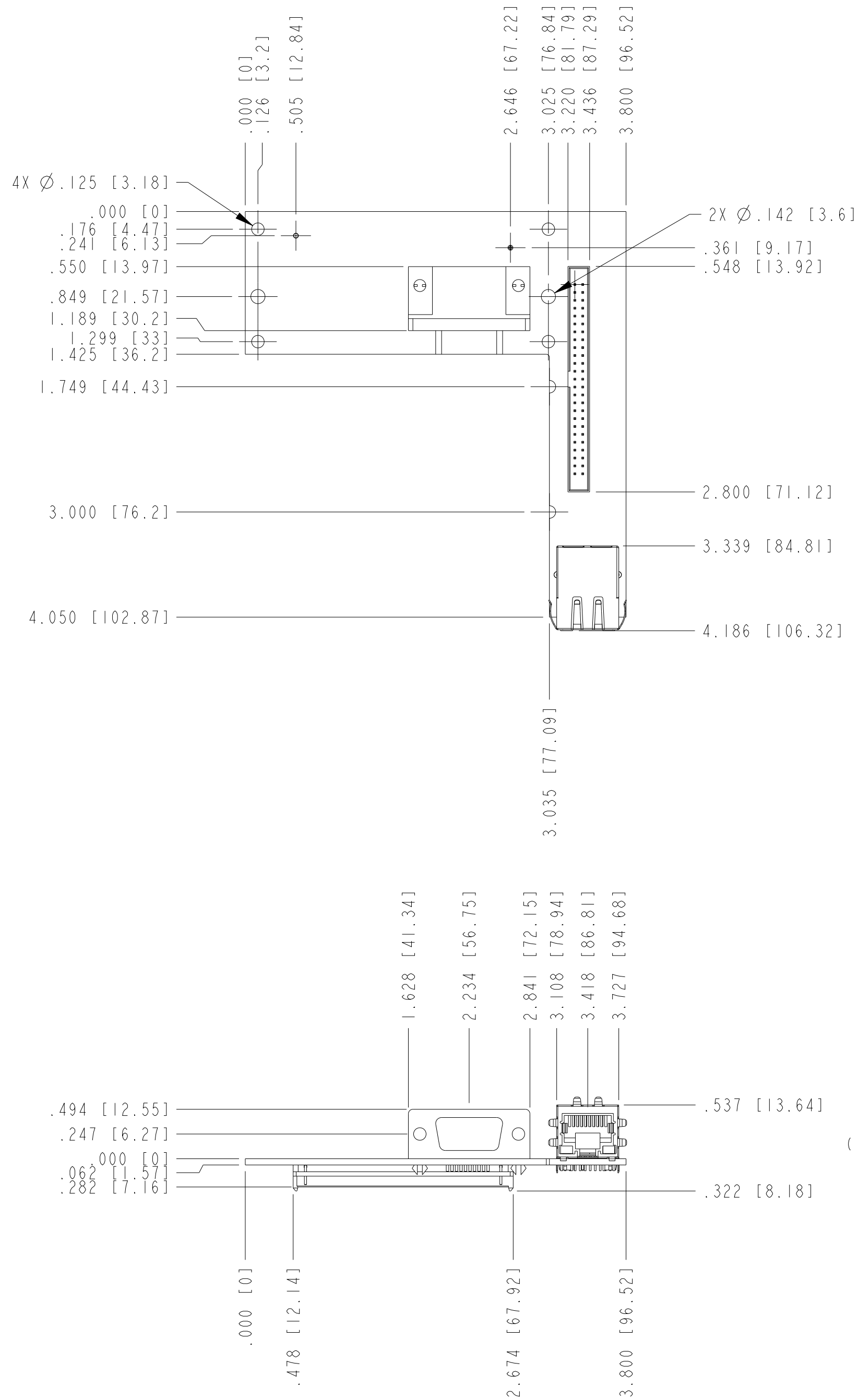
SIZE CODE IDENT NO. MM/DD/YYYY

C7U296

01/16/2018

SCALE: 1/1

SHEET 1 OF 2



s.bRIO-9698 PCB ONLY

SIZE	CODE	IDENT NO.	MM/DD/YYYY
C	7U296		01/16/2018
SCALE:	1/1	SHEET 2 OF 2	