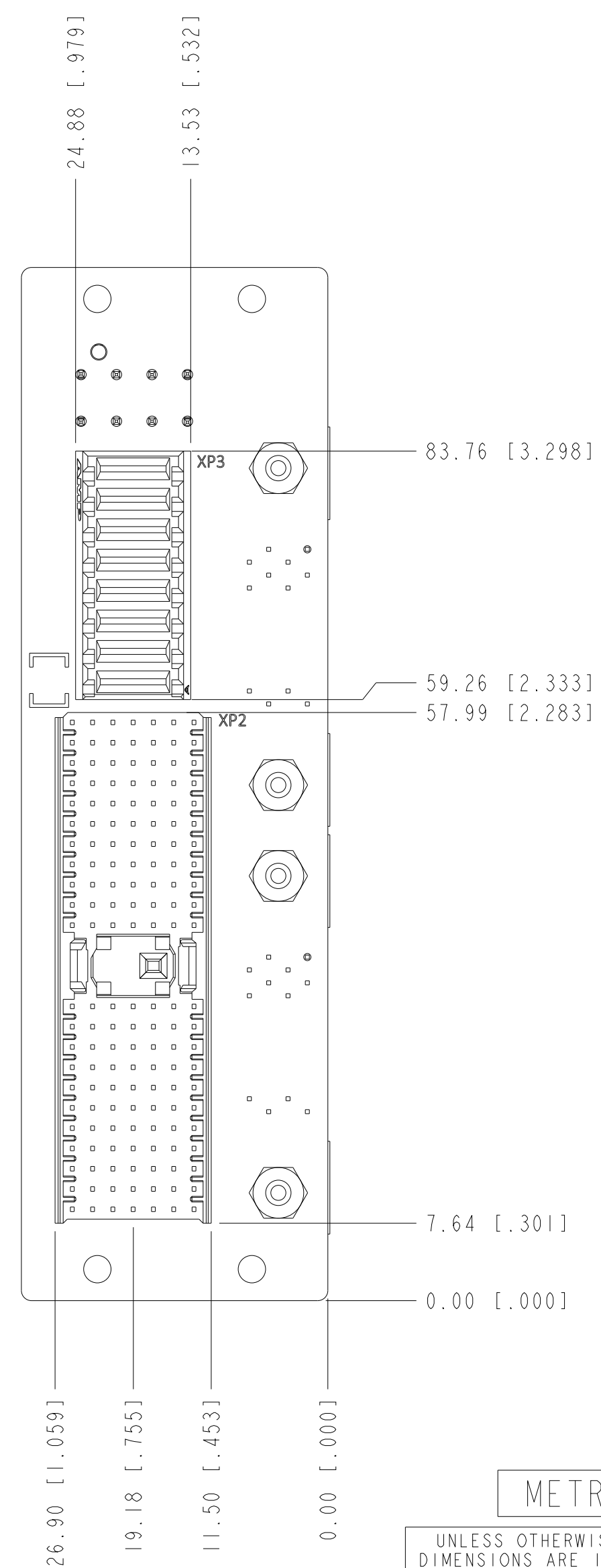
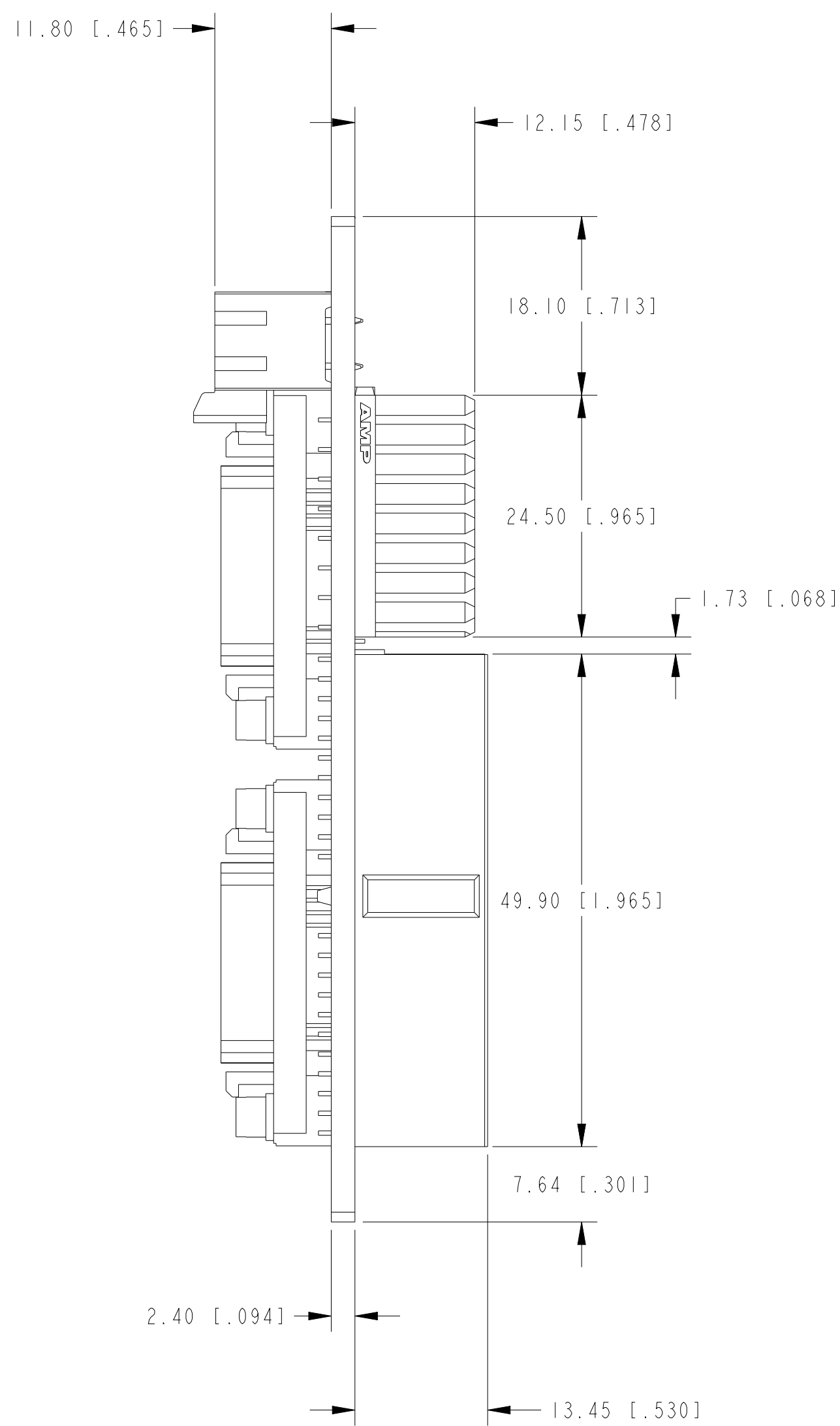
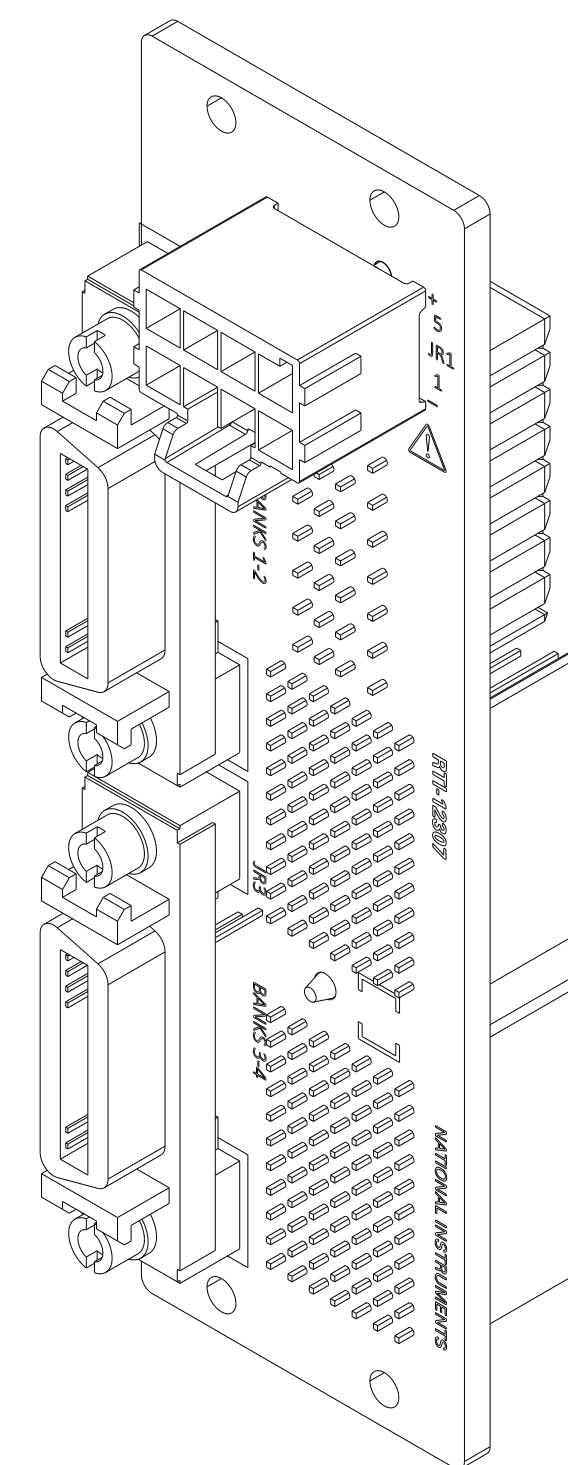


FRONT VIEW



REAR VIEW



ISOMETRIC DRAWING

2. DIMENSIONS IN () ARE FOR REFERENCE ONLY.
 1. REFER TO PRODUCT MANUAL ON NI.COM FOR MORE DETAILS
 NOTES: UNLESS OTHERWISE SPECIFIED.

METRIC UNLESS OTHERWISE SPECIFIED DIMENSIONS ARE IN MILLIMETERS AND INCHES DO NOT SCALE DRAWING THIRD ANGLE PROJECTION 	CUSTOMER DRAWING NATIONAL INSTRUMENTS® AUSTIN, TEXAS TITLE RTI-12307	
	SIZE CODE IDENT NO. MM/DD/YYYY D 7U296 08/14/2018	SCALE: 2/1 SHEET 1 OF 1 CU-RTI-12307