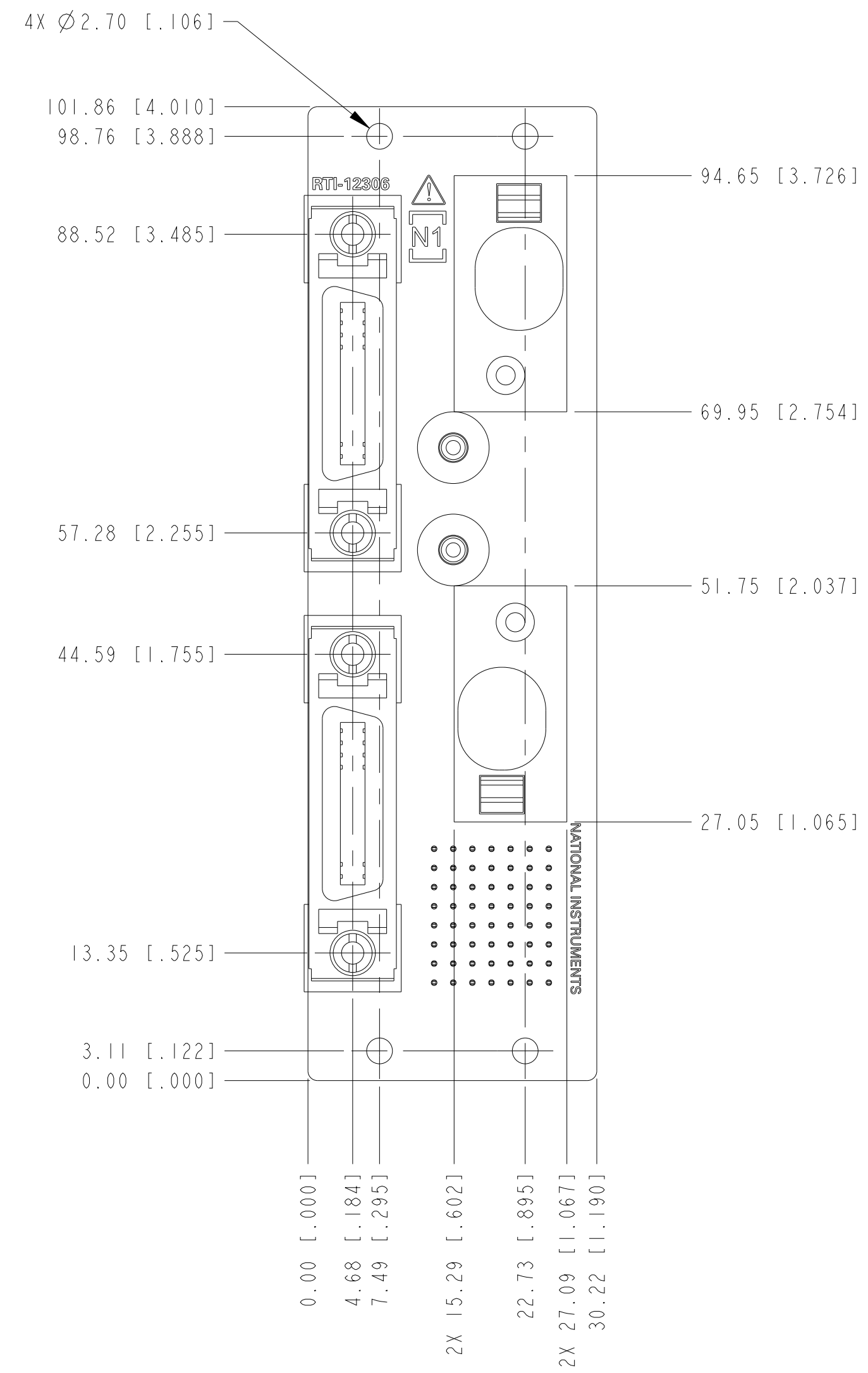
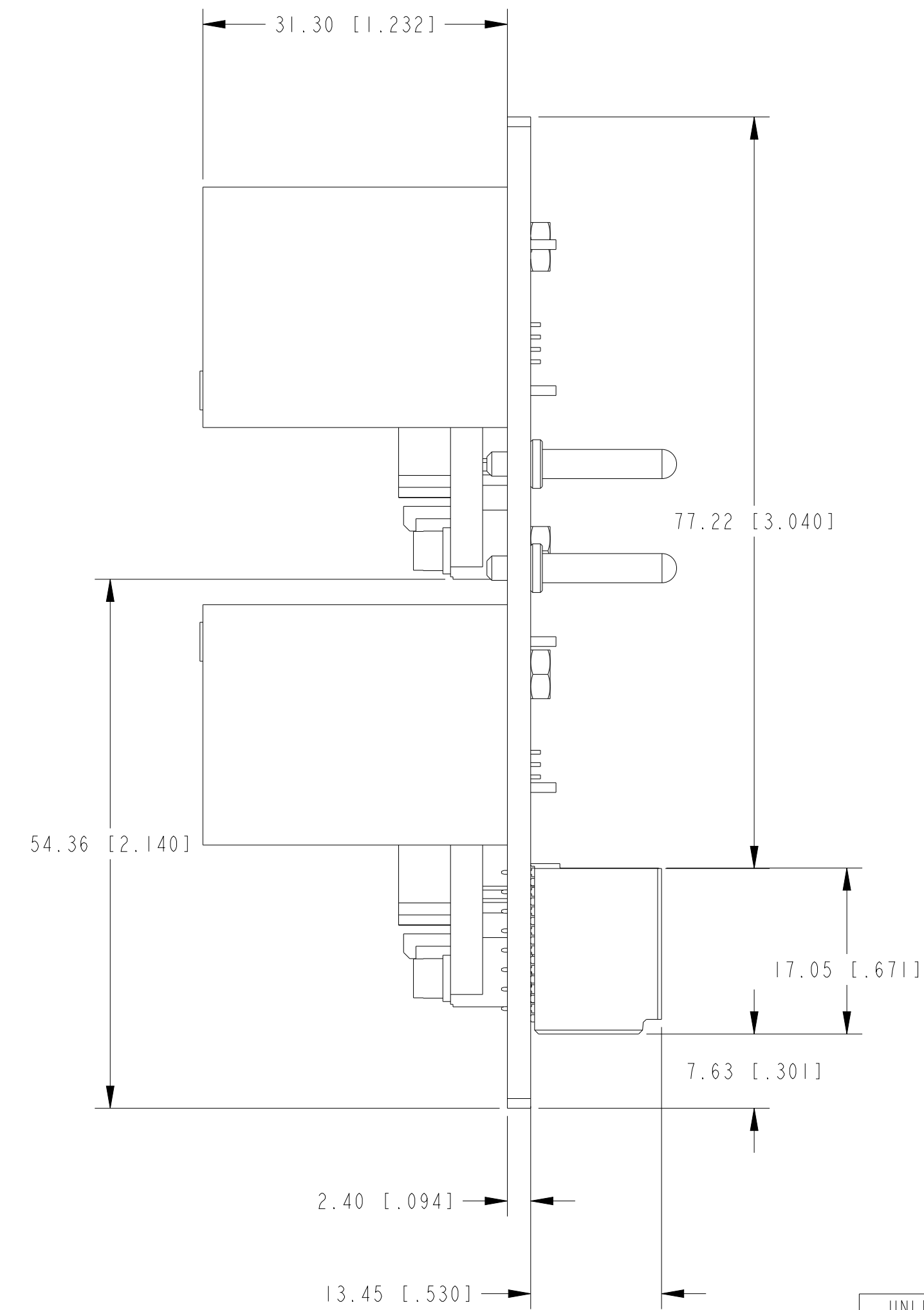


ISOMETRIC VIEW



FRONT VIEW



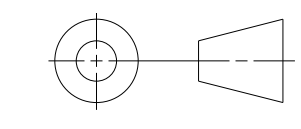
METRIC

CUSTOMER DRAWING

UNLESS OTHERWISE SPECIFIED
 DIMENSIONS ARE IN MILLIMETERS
 AND [INCHES]

DO NOT SCALE DRAWING
 THIRD ANGLE PROJECTION

NATIONAL INSTRUMENTS® AUSTIN, TEXAS	
TITLE	
RTI-12306	
SIZE CODE	IDENT NO. MM/DD/YYYY
D 7U296	08/14/2018
SCALE: 2/1	SHEET 1 OF 1



2. DIMENSIONS IN () ARE FOR REFERENCE ONLY.
 1. REFER TO PRODUCT MANUAL ON NI.COM FOR MORE DETAILS
 NOTES: UNLESS OTHERWISE SPECIFIED.