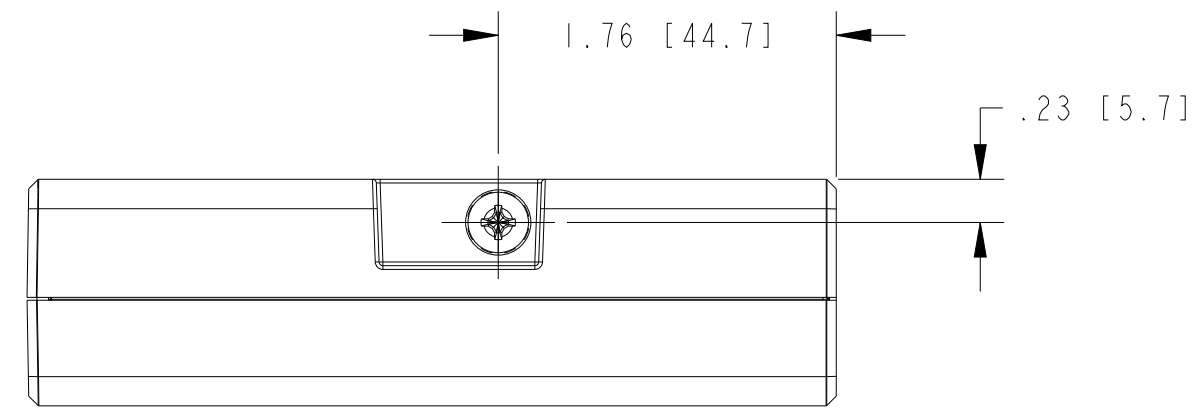
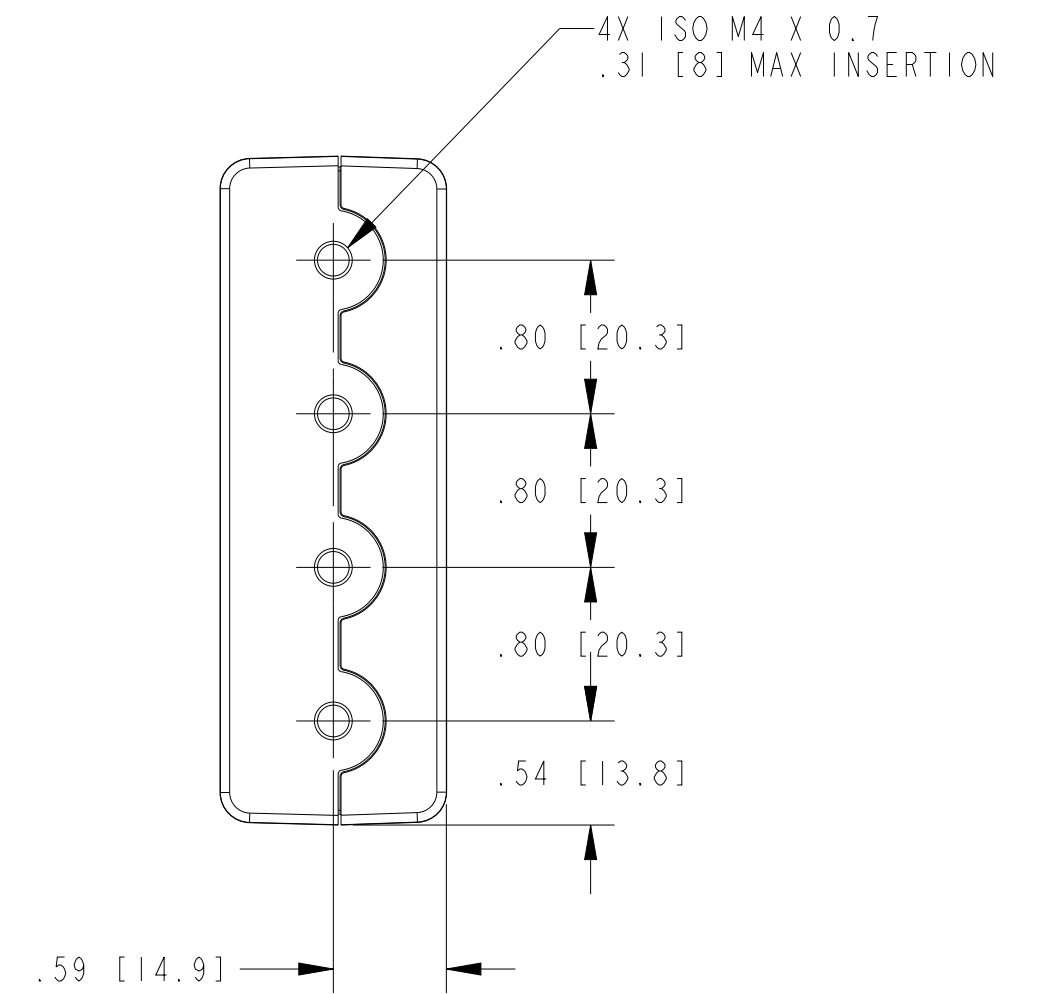
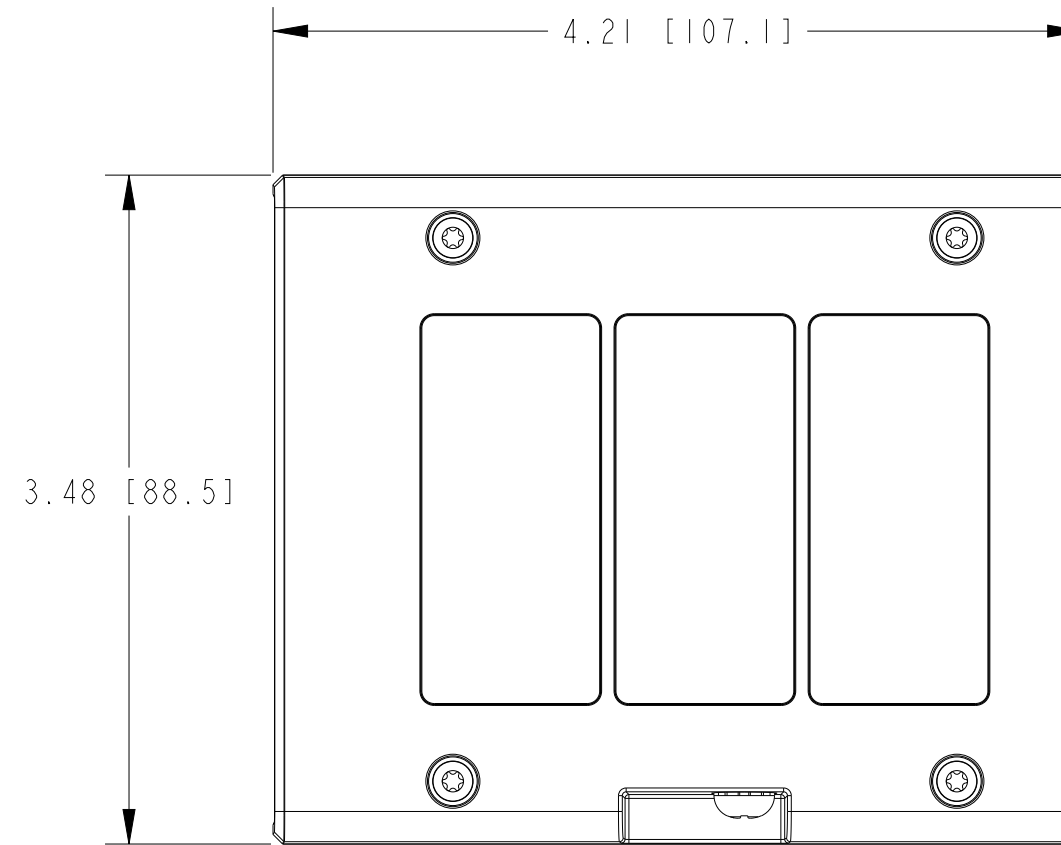
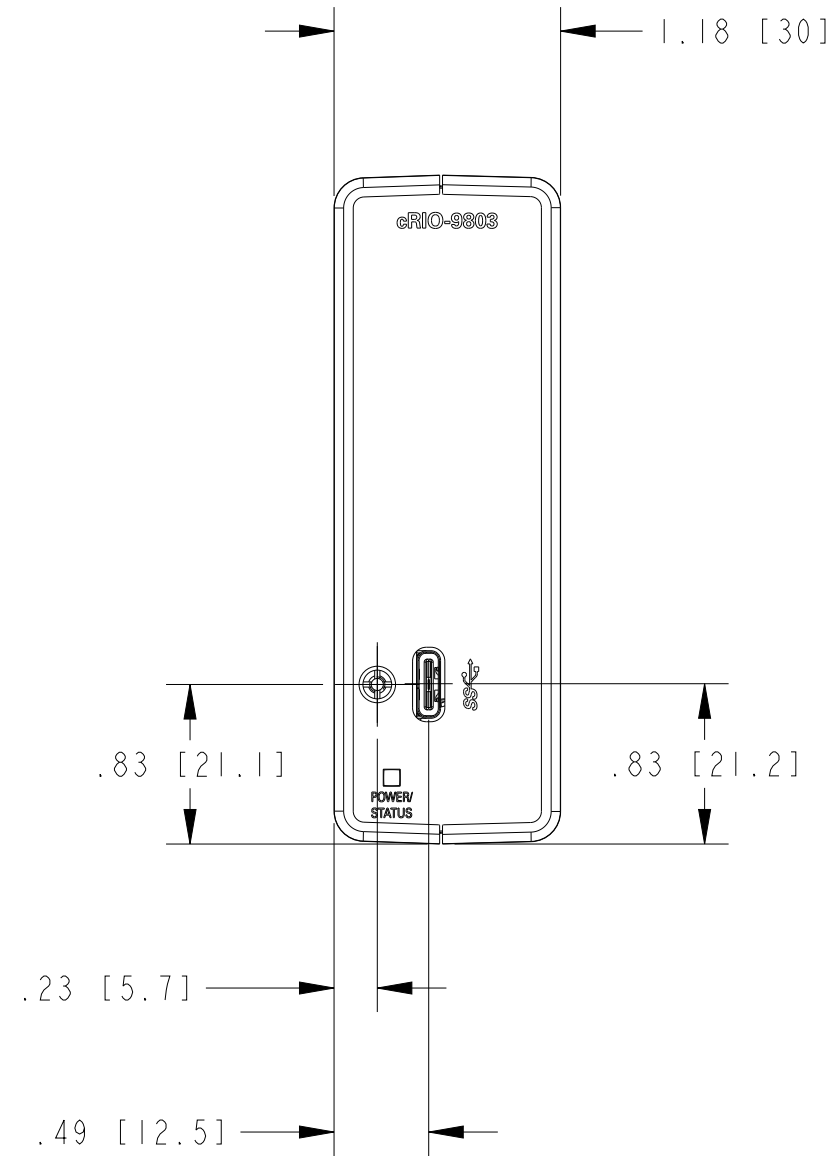


ISOMETRIC VIEW



CUSTOMER DRAWING

2. ALL DIMENSIONS SHOWN ARE SPECIFIED FROM THE LARGEST PART OF THE DRAFTED FEATURE.  
 FOR ADDITIONAL INFORMATION, PLEASE REFER TO 3D MODELS.

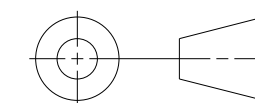
1. REFER TO PRODUCT MANUAL ON NI.COM FOR MORE DETAILS

NOTES: UNLESS OTHERWISE SPECIFIED.

UNLESS OTHERWISE SPECIFIED  
 DIMENSIONS ARE IN INCHES AND  
 [MILLIMETERS].

DO NOT SCALE DRAWING

THIRD ANGLE PROJECTION



AUSTIN, TEXAS

TITLE

cRIO-9803

SIZE CODE IDENT NO. MM/DD/YYYY

C7U296

05/22/18

SCALE: 1/1

SHEET 1 OF 1